

**GLOBAL**

---

**NF 331 SK /  
NF 331 SK-AUT**

**High Speed Needle Bar Feed Lockstitcher With Edge Cutter  
And Automatic Thread Trimmer**

**Instruction Manual  
Parts Catalog**

---

## CONTENTS

1. PRECAUTIONS BEFORE STARTING OPERATION.....	2
2. MAIN SPECIFICATIONS.....	2
3. INSTALLING THE BELT.....	3
4. ADJUSTMENT OF NEEDLE BAR STOP POSITION.....	3
5. LUBRICATION.....	4
6. CONDITION OF OIL LUBRICATION.....	4
7. LUBRICATION ADJUSTMENT.....	4
8. ADJUSTMENT OF OIL PUMP.....	4
9. REGULAR CLEANING.....	5
10. WINDING ADJUSTMENT.....	5
11. REPLACE NEEDLES.....	5
12. THREADING.....	6
13. SET STITCH LENGTH AND REVERSE FEEDING.....	6
14. ADJUSTING THE THREAD TENSION.....	6
15. UPPER THREAD TENSION.....	7
16. LOWER THREAD TENSION.....	7
17. ADJUSTMENT OF FEED DOG INCLINATION.....	7
18. ADJUSTMENT OF THREAD TRIMMER MECHANISM.....	8
19. INSTALLING OF THE NEEDLE PLATE.....	9
20. CLOTH CUTTING KNIFE.....	9
21. THROAT PLATE COVER.....	9
22. OTHER REPLACEMENT PARTS.....	10

# 1. PRECAUTIONS BEFORE STARTING OPERATION

## 1) Safety Precautions:

- (1) When turning the power on, keep your hands and fingers away from the area around/under the needle and the area around the balance wheel.
- (2) Power must be turned off when the machine is not in use, or when the operator leaves the seat.
- (3) Power must be turned off when tilting the machine head, installing or removing the "V" belt, adjusting the machine, or when replacing.
- (4) Avoid placing fingers, hairs, bars etc., near the balance wheel, "V" belt, bobbin winder balance wheel, or motor when the machine is in operation.
- (5) Do not insert fingers into the thread take-up cover, under/around the needle, or balance wheel when the machine is in operation.
- (6) If a belt cover, finger guard, eye guard are installed, do not operate the machine without these safety devices.

## 2) Precautions before Starting Operation:

- (1) If the machine's oil pan has an oil sump, never operate the machine before filling it.
- (2) If the machine is lubricated by a drop oiler, never operate the machine before lubricating.
- (3) When a new sewing machine is first turned on, verify the rotational direction of the balance wheel with the power on. (The balance wheel should rotate counter-clockwise when viewed from the balance wheel)
- (4) Verify the voltage and (single or three) phase with those given on the machine nameplate.

## 3) Precautions for Operating Conditions:

- (1) Avoid using the machine at abnormally high temperature (35°C or higher) or low temperature (5°C or lower) .
- (2) Avoid using the machine in dusty conditions.

# 2. MAIN SPECIFICATIONS

Item	NF 331 SK- AUT	NF 331 SK :
Material	Light-Medium heavy	
Max. sewing speed	4500 rpm	
Stitch length	0-4mm	
Needle bar stroke	31.8mm	
Presser	By hand	4mm
	By knee	10mm
Needle	DP×1 #14	
Lubrication	Auto lubricated	
Auto trimmer	○	—
Auto backtracking	○	—
Rotating hook	Auto lubrication hook (Thread trimming)	Auto lubrication hook
Motor	Speed adj. Motor	370W clutch motor

### 3. INSTALLING THE BELT (Fig.1)

- 1) Use a V-belt for sewing machine use, type M
- 2) To adjust the belt tension, change the motor height by turning the tension adjust nuts so that the belt sinks about 15 mm when depressed by hand at the center of the belt span. If the tension is too low, the speed may not be consistent in the low or medium range, or the needle may not stop in the proper position. If the tension is too high, the motor bearings will deteriorate more rapidly.

### 4. ADJUSTMENT OF NEEDLE

#### BAR STOP POSITION (Fig. 2, 3)

##### 1) Adjusting of "Up" position

When the pedal is kicked down by heel, the machine stops at "UP" position. If the marks deviate larger than 3 mm adjust as follows:

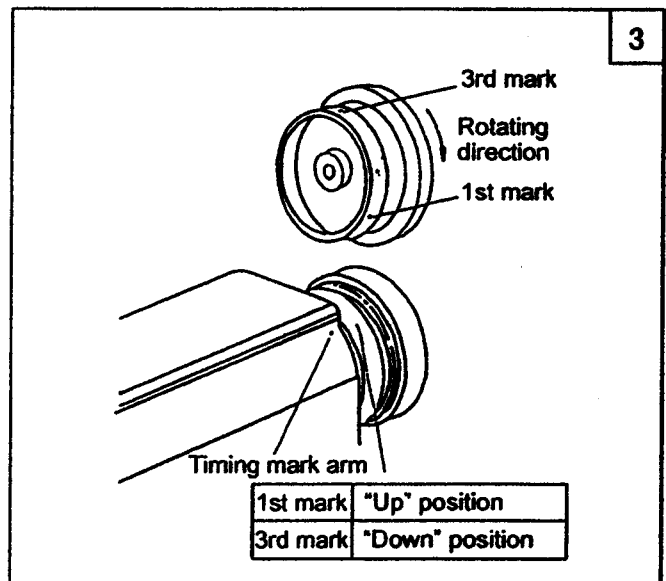
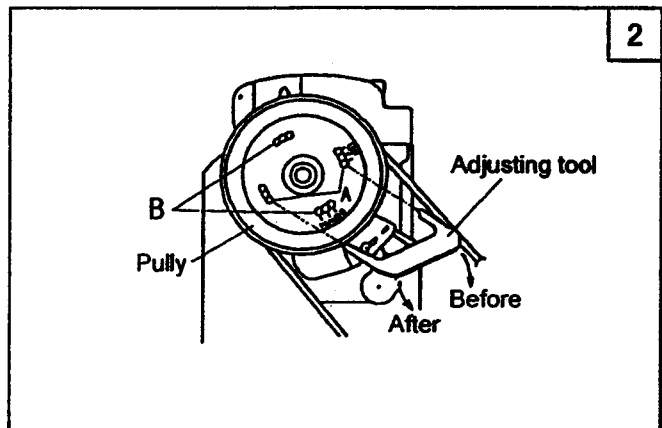
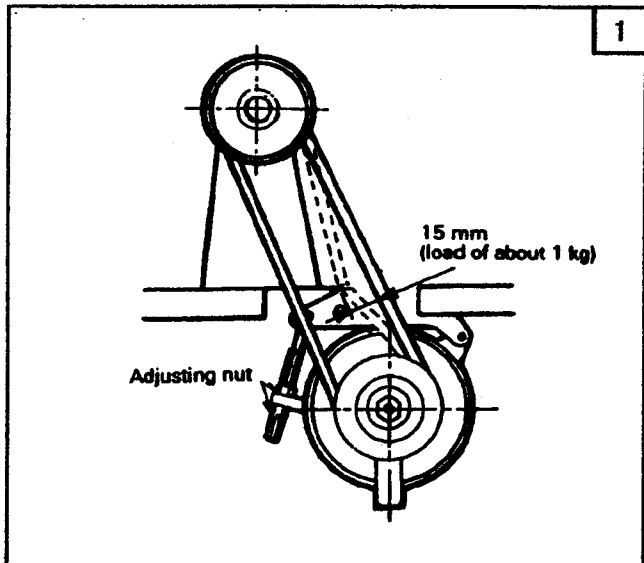
- (1) Disconnect the plug (12 pins) of cable from the machine head.
- (2) Run the machine and stop at "UP" position.
- (3) While holding the balance wheel insert the "adjusting tool" in the hole A, then remove the tool.

##### 2) Adjusting of "DOWN" position

Set the machine stops at "DOWN" position. When the pedal is kicked down by hell, the machine stops as "DOWN" position. If the marks deviate larger than 3 mm adjust as follows:

- (1) Disconnect the plug (12 pins) of cable from the machine head.
- (2) Run the machine and stop at "DOWN" position.
- (3) While holding the balance wheel insert the "adjusting tool" in the hole B. then remove the tool.

- 3) Confirm the stop operation then the plug (12 pins) coming from the machine head into the receptacle.

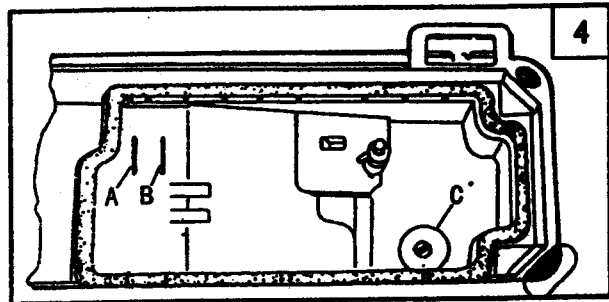


## 5. LUBRICATION (Fig.4)

Pour oil up to position A of the oil tank.

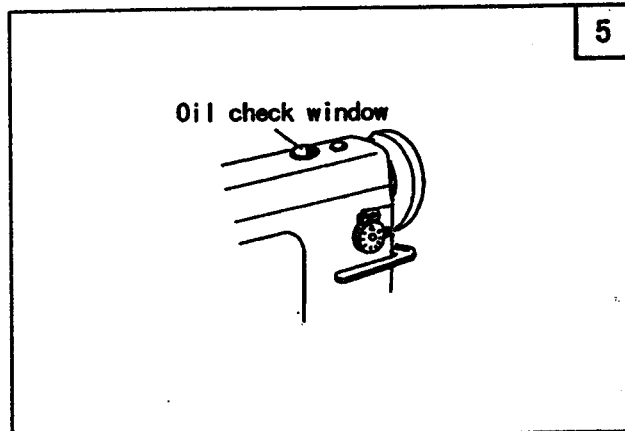
During operation, check the oil level periodically, and in cases where the oil level is below position B replenish the oil supply up to position A.

Use white spindle oil.



## 6. CONDITION OF OIL LUBRICATION (Fig.5)

While operating the machine, check the condition of oil lubrication through the oil check window.



## 7. LUBRICATION ADJUSTMENT (Fig.6)

(Fig.6)

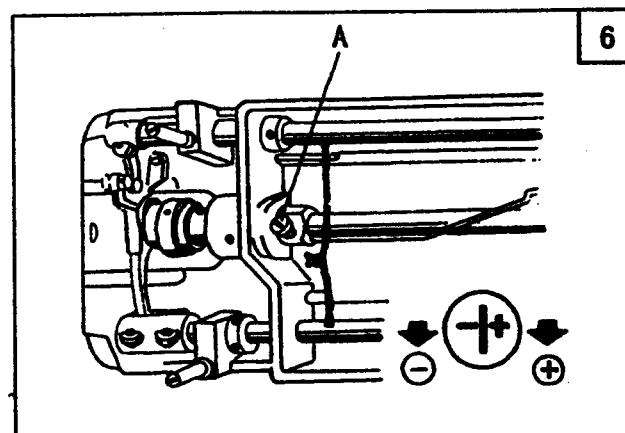
Adjusting the lubrication of rotating hook.

Oil adjusting screw (A) can adjust the lubrication of the rotating hook as follows:

(1) Turn oil adjusting screw (A) clockwise to increase oil and turn oil adjusting screw (A) counter-clockwise to decrease oil.

(2) Oil adjusting screw (A) adjusts oil amount within 5 turns. When oil adjusting screw (A) is fully tightened, oil amount is maximum.

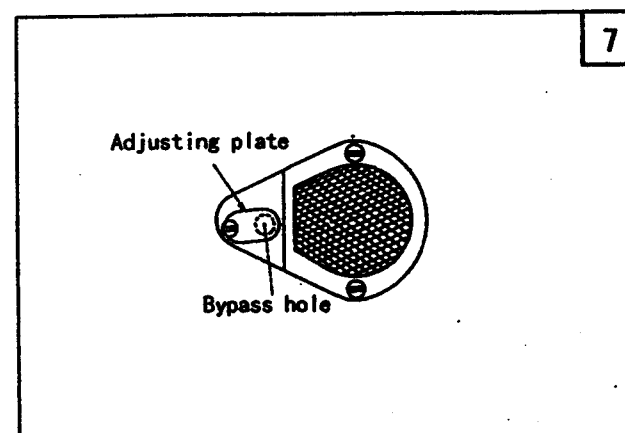
(3) Readjustment depends on temperature, sewing speed and the like. In practice, oil amount can be judged as follows: remove the throat plate and place a piece of paper on instead, run the machine for about 20 seconds, then check the oil splashed on the paper.



## 8. ADJUSTMENT OF OIL PUMP (Fig.7)

(Fig.7)

The standard adjustment is as follows: The adjusting plate keeps the bypass hole fully closed. To decrease splashing, open the bypass hole appropriately.



## 9. REGULAR CLEANING (Fig.8)

### 1) Cleaning feed dog

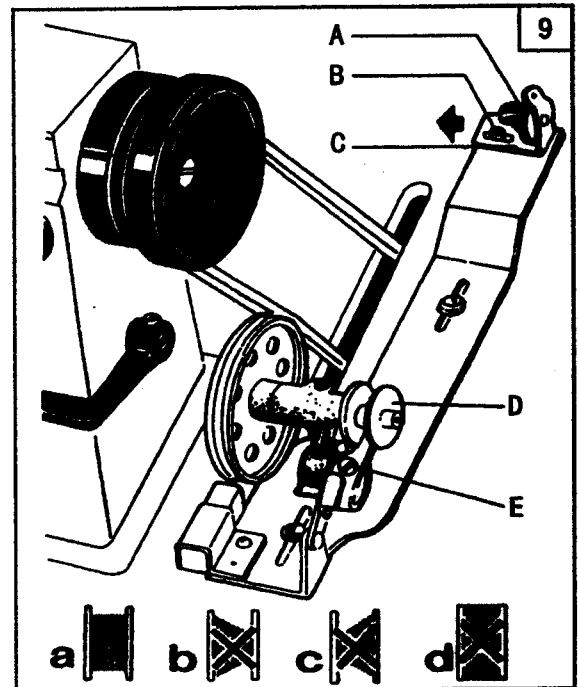
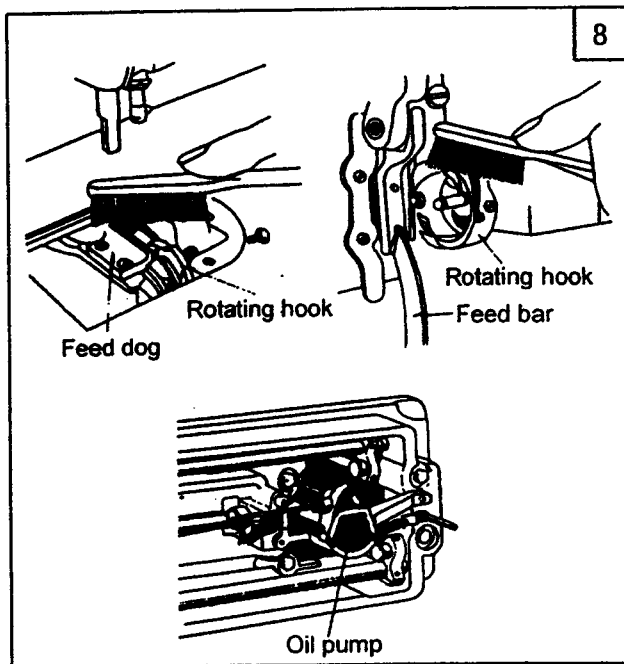
Remove the throat plate and clear off the dust and lint between feed dog tooth slots.

### 2) Cleaning rotating hook

Swing out the machine head and clean the hook. Wipe the bobbin case with soft cloth.

### 3) Cleaning oil pump, screen

Swing out the machine head and clear off the dust and dirt on oil pump screen.



## 10. WINDING ADJUSTMENT (Fig.9)

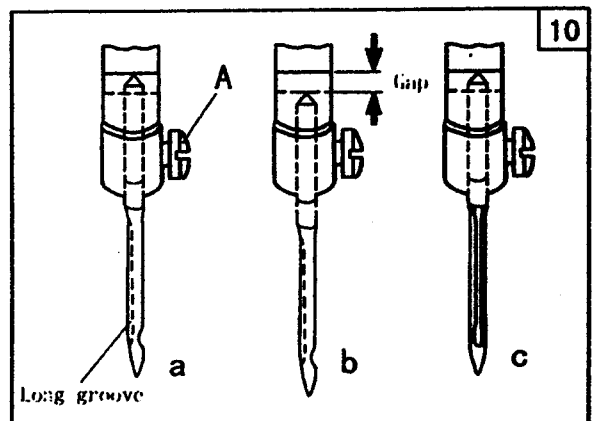
1) The wound bobbin thread should be neat and tight, if not, adjust the winding tension by turning tension stud nut (A) of bobbin winder tension bracket.

**Note:** nylon or polyester thread should be wound with little tension; otherwise, bobbin (D) might break or deform.

2) When the wound thread layer does not present a cylindrical shape as shown in Fig 9 (a), loosen set screw (B) of bobbin winder tension bracket and slide bracket (C) leftward or rightward. If thread is wound as shown in Fig 9 (b), move the bracket rightward, but if thread is wound as shown in Fig 9 (c), move the bracket leftward.

After adequately positioning the bracket, tighten set screw (B).

3) Do not overfill the bobbin. The optimum length of thread will fill about 80% of bobbin capacity. This can be adjusted by adjusting screw (E) of bobbin winder stop latch.



## 11. REPLACE NEEDLES (Fig.10)

Turn the balance wheel to lift needle bar to the upper

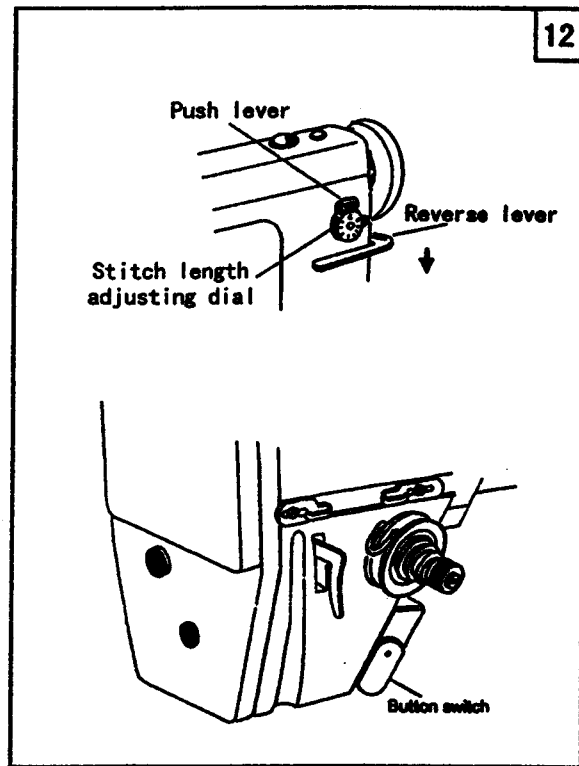
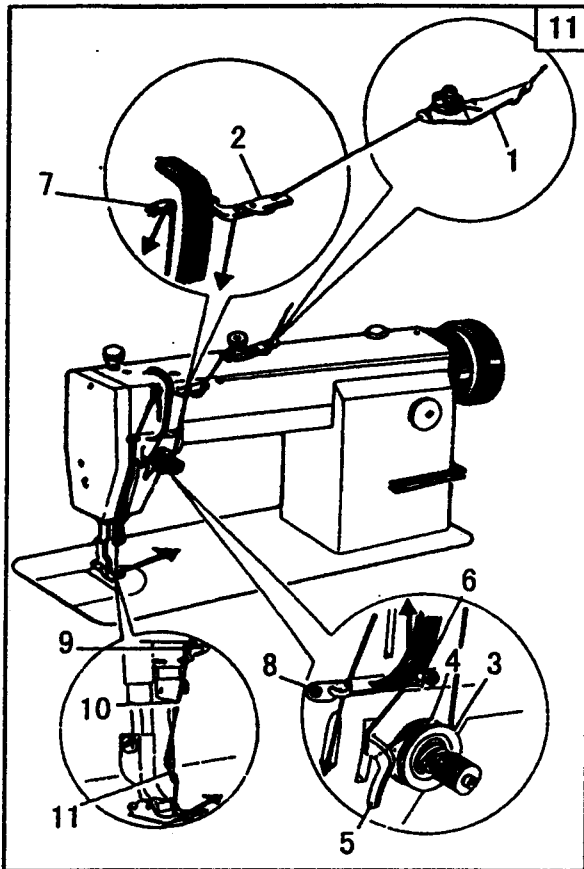
end of its stroke. Loosen needle clamp screw (A). While keeping the long groove of the needle leftward fully insert the needle shank up to the bottom of the needle socket. Then tighten needle clamp screw (A).

Note: Fig. (b): insufficient insertion.

Fig. (c): wrong direction of long groove.

## 12. THREADING (Fig.11)

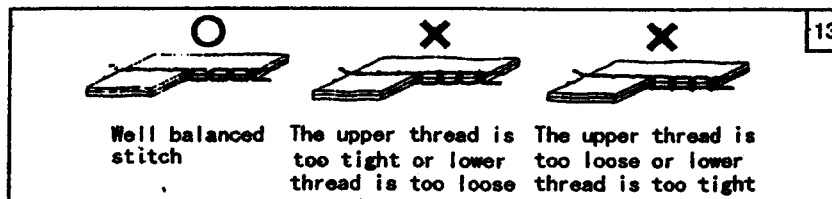
To thread the needle thread, raise needle bar to the upper end of its stroke, lead the thread from spool and perform threading as shown in Fig.3. To draw the bobbin thread, hold the end of the needle thread and turn the balance wheel to lower the needle bar and then to lift it to its highest position. Pull the needle thread and the bobbin thread is drawn up. Put the ends of needle thread and bobbin thread frontward under presser foot.



## 13. SET STITCH LENGTH AND REVERSE FEEDING (Fig.12)

- 1) To change the stitch length, rotate the stitch length adjusting dial while pressing the push lever.
- 2) Pressing the reverse lever to reverse stitching.
- 3) The button switch can be pressed to perform reverse stitching.
- 4) Normally, set the button switch as illustrated by the solid lines. To reverse stitching, press the button switch.

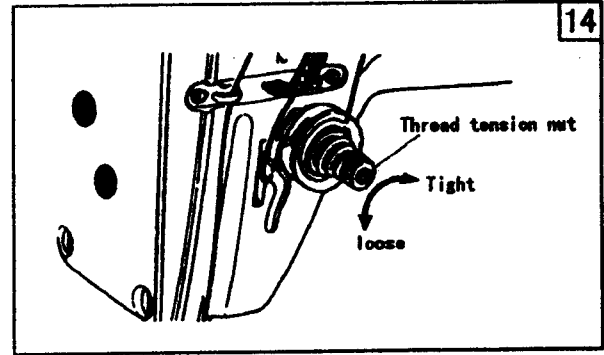
## 14. ADJUSTING THE THREAD TENSION (Fig.13)



## 15. UPPER THREAD TENSION (Fig.14)

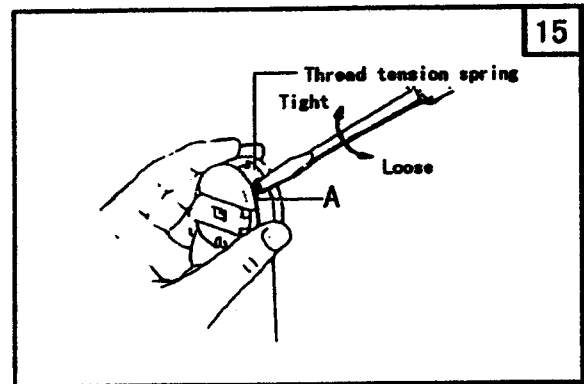
1) The upper thread can be adjusted based on the lower thread tension.

2) Adjustment can be done by rotating the thread tension nut. For special fabric sewing with special thread, the desired tension can be obtained by adjusting the strength and operating range of thread take-up spring.



## 16. LOWER THREAD TENSION (Fig.15)

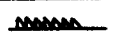
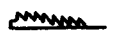

1) The lower thread tension can be adjusted by rotating screw A.

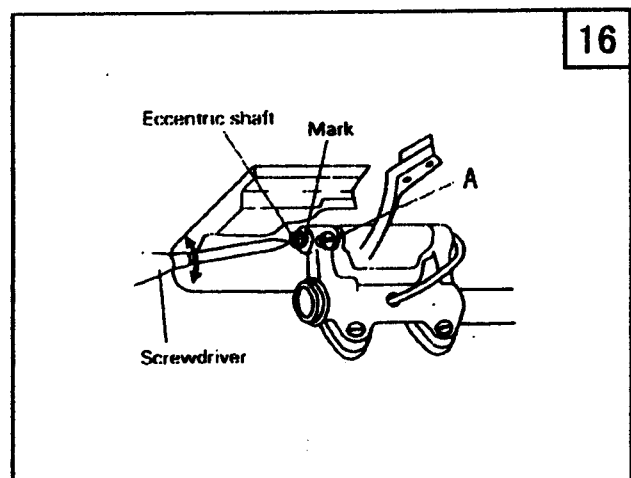


## 17. ADJUSTMENT OF FEED DOG INCLINATION (Fig.16)

The feed dog has been set to standard (horizontally). If necessary, adjust the inclination according to the material to be sewn as follows:

- 1) Slightly loosen screw A located in the feed rock shaft crank.
- 2) Using a screwdriver. While pressing the groove located in the eccentric shaft by using a screwdriver, rotate the eccentric shaft clockwise (to lift the front end) or counter-clockwise (to lower the rear end).
- 3) When adjustment is completed, tighten screw A.

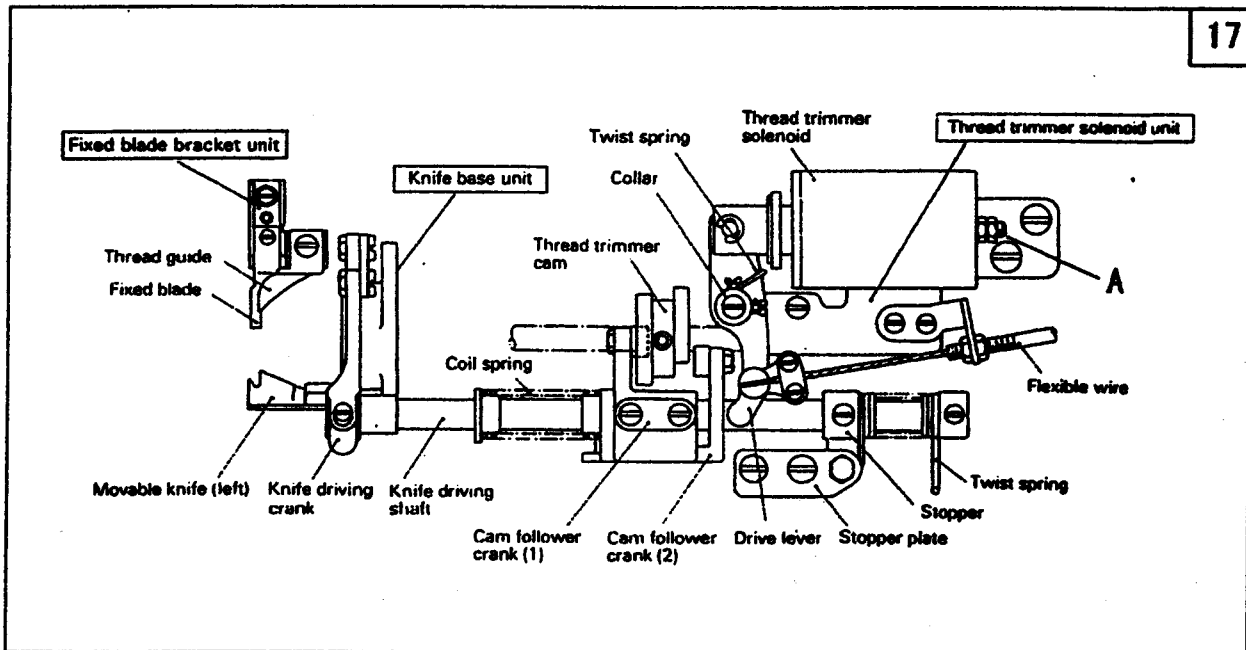
Position of mark on the eccentric shaft	Feed dog
⊖ - Horizontal	 Standard
⊕' Up	 Front up (MAX.)
⊕: Down	 Front down (MAX.)



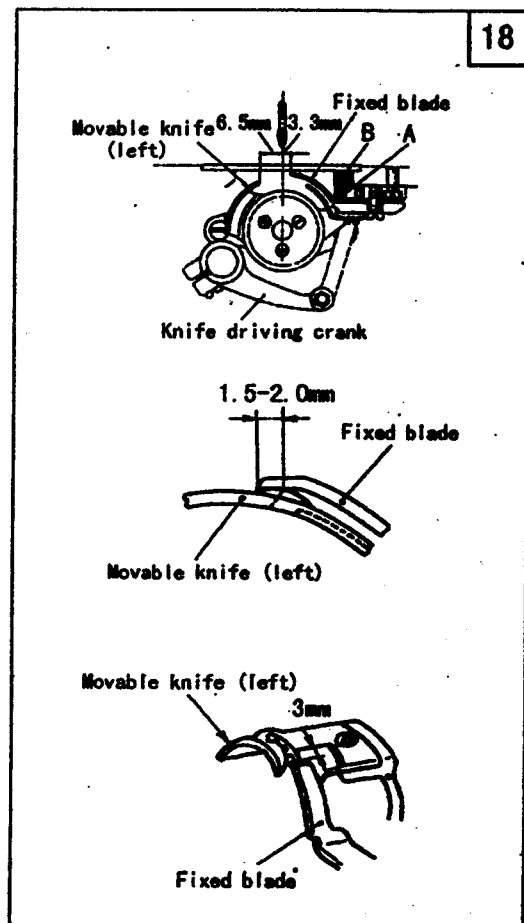


## 18. ADJUSTMENT OF THREAD TRIMMER MECHANISM

- 1) Thread trimmer mechanism as shown Fig.17  
Operation stroke of the thread trimmer solenoid
  - (1) Standard operation stroke is 6.0 mm.
  - (2) This stroke can be adjusted by using nut A.

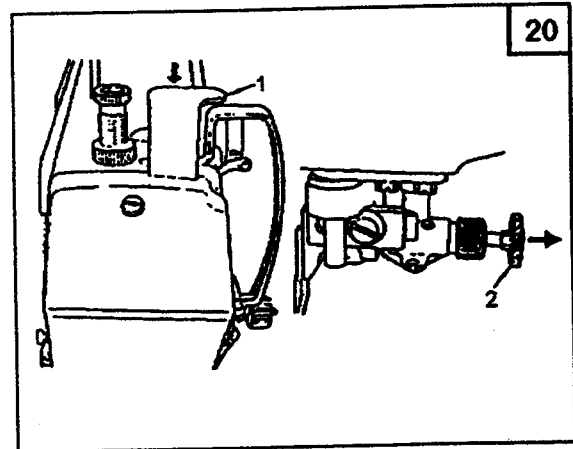
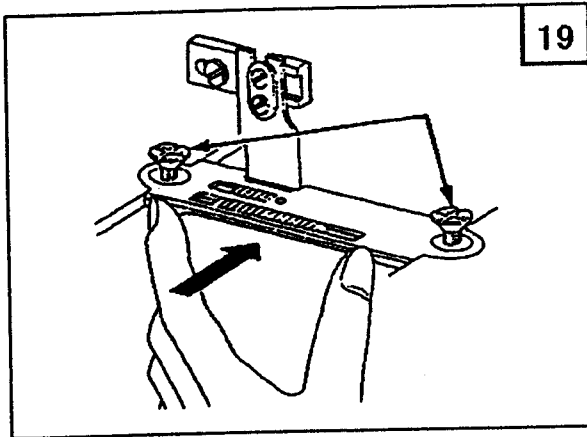


- 2) Adjustment of knife engagement (Fig.18)
  - (1) Position of movable knife (left) and fixed blade. See the illustration. The standard distances from the needle center are 6.5 mm and 3.3 mm from the movable knife (left) and fixed blade respectively.
  - (2) Adjustment of knife engagement. With the solenoid activated, turn on the machine. This rotates the thread trimming cam which rotates the movable knife (left). When the movable knife (left) has moved to its farthest distance, the standard engagement of the blade is 1.5-2.0 mm.
  - (3) Adjustment of knife engaging pressure. If a thread is poorly cut, particularly when it is thick, slightly increase the engaging pressure. This should solve the problem. The engaging pressure can be adjusted in this way: Loosen lock nut B, and adjust it by using adjusting screw A.



## 19. INSTALLING OF THE NEDDLE PLATE (Fig.19)

To attach the needle plate, bring the cloth-cutting knife to its lowest position, and gradually tighten the two set screws alternately while lightly pressing the needle plate onto the cloth-cutting knife.



## 20. CLOTH CUTTING KNIFE (Fig.20, 21)

### 1) Operation of the cloth cutting knife

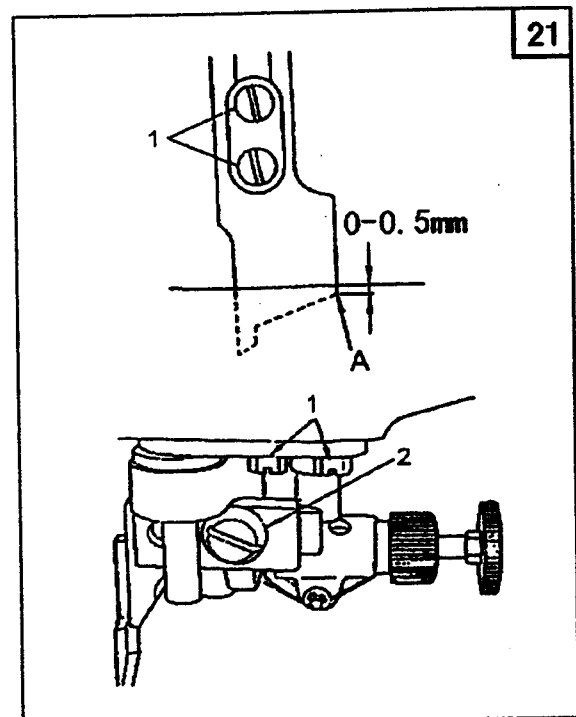
- (1) To actuate the cloth-cutting knife, press down knife setting plate 1.
- (2) To stop the cloth-cutting knife and reset the machine to the normal lockstitching mode, pull knob 2 in the direction of the arrow:

### 2) Attaching the cloth cutting knife

- (1) Raise or lower the cloth-cutting knife so that section A of the cloth-cutting knife is positioned 0-0.5 mm below the top face of the needle plate when the knife is in its lowest position.
- (2) Loosen two knife set screws 1, and replace the cloth-cutting knife.

### 3) Changing the cutting width

- (1) The needle plate decides the cutting width. When the needle plate is replaced, loosen knife guiding shaft set screw 1 so that proper parallelism is obtained and the sharpness of the knife blade is increased as shown in the figure.
- (2) When the position of the knife is changed in accordance with the change of the needle plate size, loosen set screw 2, and position the knife so that the blade of the needle plate comes in contact with the knife blade. Then tighten set screw 2.
- (3) For the standard machine, a 3.2 mm wide needle plate is installed at the time of delivery.

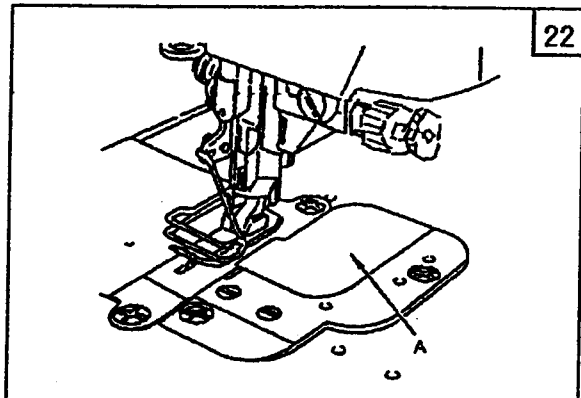


## 21. THROAT PLATE COVER

- 1) When the cloth-cutting knife is not in use, fit the throat plate cover, which is provided as an accessory.

onto the throat plate, and press A portion from above.

- 2) The throat plate cover is now securely fixed, and the hole for the waste cloth is closed.



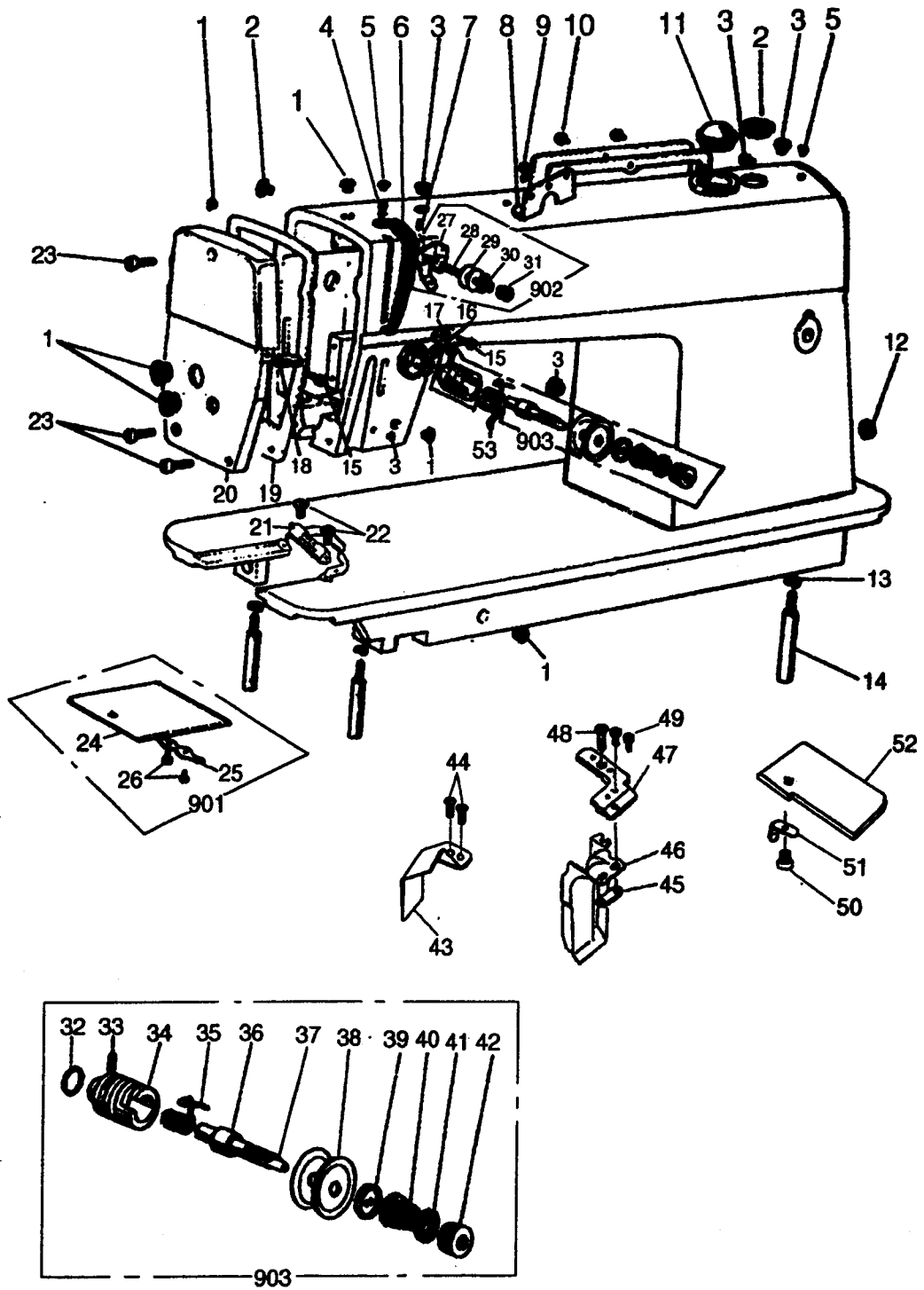
## 22. OTHER REPLACEMENT PARTS

The standard cutting width of the machine is 1/8" (3.2mm). We offer the other specs according to your need.

Please choose as follow sheet.

Item		Needle plate	Feed dog	Presser	Throat plate chip guard	Chip guard
1/ 8 " (3.2)	MC	H7411B7101	H7404E8001	H7409H7101	H5722B8001	H5719B8001
	MC-D				H7510B8001	
5/32 " (4.0)	MC	H7413B7101	H7404E8001	H7404H7101	H5722B8001	H5719B8001
	MC-D				H7510B8001	
3/16 " (4.8)	MC	H7409B8001	H7404E8001	H7404H7101	H5722B8001	H5719B8001
	MC-D				H7510B8001	
1/ 4 " (6.4)	MC	H7415B7101	H7404E8001	H7404H7101	H5726B8001	H5726B8001
	MC-D				H7511B8001	

# A.ARM BED AND ITS ACCESSORIES



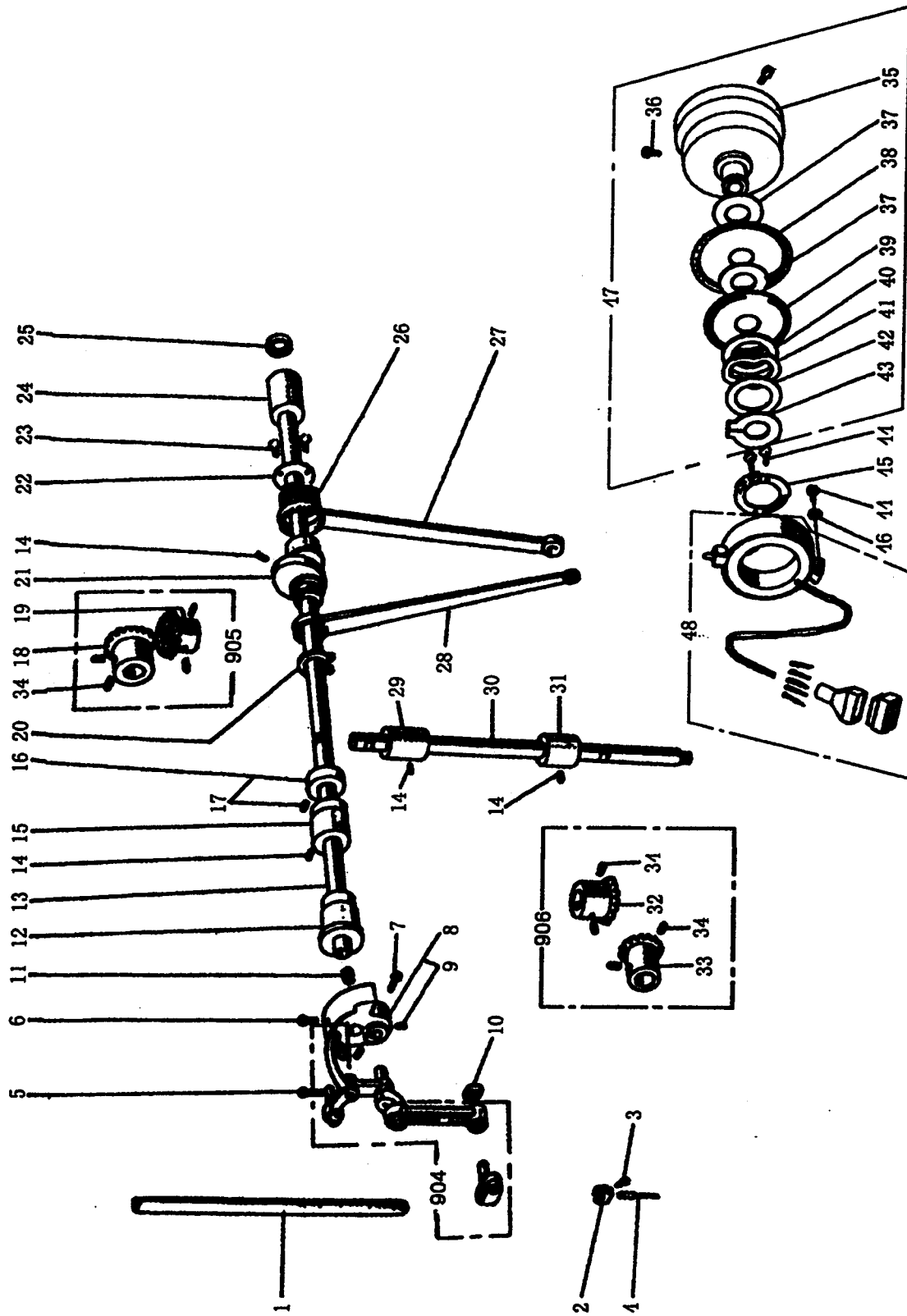
## A.ARM BED AND ITS ACCESSORIES

Fig. No.	Part No.	Description	NF 331 SK	NF 331 SK-AUT	Remarks
A01	HA307B0674	Rubber plug	6	6	
A02	HA307B0673	Rubber plug	2	2	
A03	HA300B2090	Rubber plug	5	5	
A04	HA300C2030	Set screw	1	1	SM11/64(40)×8
A05	HA300B2110	Rubber plug	2	2	
A06	HA300C2020	Thread take-up cover	1	1	
A07	HA100B2110	Set screw	1	1	SM11/64(40)×5.5
A08	HA700B2050	Thread guide	1	1	
A09	HA700B2060	Set screw	1	1	SM11/64(40)×8
A10	HA300B2170	Set screw	6	6	SM11/64(40)×9
A11	H1210B0067	Oil check window	1	1	
A12	HA300B2100	Rubber plug	1	1	
A13	H005008060	Spring washer	3	3	GB/T93 6
A14	HA100B2220	Leg	3	3	
A15	HA106B0676	Set screw	2	2	SM9/64(40)×6
A16	HA300B2080	Set screw	1	1	SM15/64(28)×6.8
A17	HA100B2140	Thread guide	1	1	
A18	HA106B0675	Thread guide	1	1	
A19	H3010B0682	Face plate gasket	1	1	
A20	H5912B8001	Face plate	1	1	
A21	H7410B7101	Needle plate	1	1	
A22	HA300B2190	Set screw	2	2	SM11/64(40)×4.5
A23	HA300B2160	Set screw	3	3	SM11/64(40)×10
A24	HA124B0711	Slide plate	1	1	
A25	HA324B0711	Slide plate spring	1	1	
A26	HA124B0713	Set screw	2	2	SM3/32(56)×2.2
A27	HA710B0674	Pre-tension thread guide	1	1	
A28	HA710B0673	Screw type tension stud	1	1	SM11/64(40)
A29	HA112B0693	Disk for pre-tension	2	2	
A30	HA710B0672	Spring for pre-tension	1	1	
A31	HA710B0671	Nut for pre-tension	1	1	SM11/64(40)
A32	HA115B7011	O-ring	1	1	
A33	HA115B0708	Set screw	1	1	SM9/64(40)×6
A34	HA310B0703	Thread tension regulating bushing	1	1	
A35	HA115B0706	Thread take-up spring	1	1	
A36	HA115B0701	Thread tension stud	1	1	SM1/4(40)
A37	HA115B0709	Thread tension releasing pin	1	1	
A38	HA310B0705	Thread tension disc	2	2	
A39	HA310B0702	Thread releasing disc	1	1	
A40	HA1115B0703	Thread tension spring	1	1	
A41	HA115B7010	Stop disc	1	1	
A42	HA310B0701	Thumb nut	1	1	
A43	H5719B8001	Chip guide plate	1	1	

## A.ARM BED AND ITS ACCESSORIES

Fig. No.	Part No.	Description	NF 331 SK	NF 331 SK-AUT	Remarks
A44	H5727B8001	Screw	2	2	SM1/8(44)×3.4
A45	H5720B8001	Clip plate	1	1	
A46	H5722B8001	Chip funnel	1		
A46	H7510B8001	Chip funnel		1	
A47	H5723B8001	Chip funnel plate	1	1	
A48	HA300B2190	Screw	2	2	
A49	H5727B8001	Screw	2	2	SM1/8(44)×3.4
A50	H5720I8001	Chip funnel cover	1	1	
A51	H5721I8001	Spring for chip funnel cover	1	1	
A52	H5727B8001	Screw	2	2	SM1/8(44)×3.4
A53	H3000B2130	Thread guide	1	1	
A901	HA324B0071	Slide plate complete	1	1	
A902	HA710B0067	Pre-tension thread complete	1	1	
A903	H3013B0070	Thread tension complete	1	1	

# B.NEEDLE BAR AND THREAD TAKE-UP MECHANISM



## B.NEEDLE BAR AND THREAD TAKE-UP MECHANISM

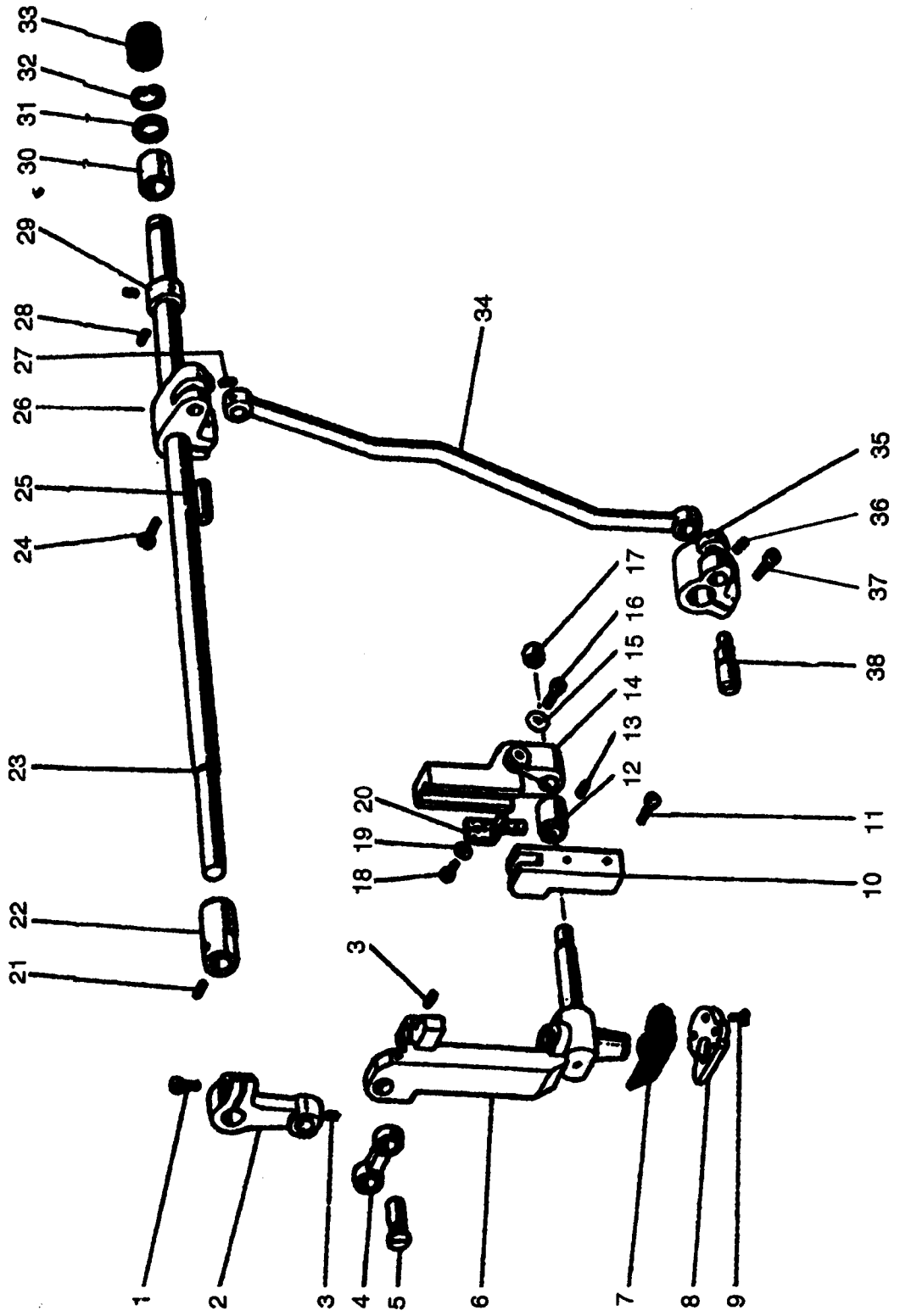
Fig. No.	Part No.	Description	NF 331 SK	NF 331 SK-AUT	Remarks
B01	H5709C8001	Needle bar	1	1	
B02	H5710C8001	Thread guide	1	1	
B03	HA100C2170	Needle clamp screw	1	1	SM1/8(44)×4.5
B04	HA100C2160	Needle	1	1	
B05	HA7311C606	Set screw	1	1	SM11/64(40)×12
B06	HA100C2070	Set screw	1	1	
B07	HA100C2060	Set screw	1	1	
B08	H5705C7101	Needle bar crank complete	1	1	
B09	HA307C0662	Set screw	2	2	SM1/4(40)×6
B10	HA100C2200	Slide block	1	1	
B11	HA104D0652	Rubber plug	2	2	
B12	HA100D2030	Arm shaft bushing (left)	1	1	
B13	H5711C7101	Arm shaft	1		
B13	H7504C7101	Arm shaft		1	
B14	HA100C2020	Set screw	4	4	SM15/64(28)×10
B15	HA100D2040	Arm shaft bushing (middle)	1	1	
B16	HA108C0066	Collar for arm shaft	1	1	
B17	HA105D0662	Set screw	2	2	SM1/4(40)×4
B18	HA113D2112	Bevel gear for arm shaft	1	1	
B19	HA113D2122	Bevel gear for vertical shaft(upper)	1	1	
B20	HA112D3012	C-type ring	1	1	
B21	H30211C106	Feed and feed lifting eccentric	1	1	
B22	H30211C406	Washer	1	1	
B23	HA7311C306	Set screw	3	3	SM9/64(40)×7
B24	HA300D2020	Arm shaft bushing (right)	1	1	
B25	HA306D0066	Oil seal	1	1	
B26	H30211C206	Needle bearing	1	1	
B27	HA7311C506	Crank rod for feed rock shaft	1	1	
B28	HA112D3013	Crank rod for feed lifting rock shaft	1	1	
B29	HA100D2110	Vertical shaft bushing (upper)	1	1	
B30	HA113D0691	Vertical shaft	1	1	
B31	HA100D2110	Vertical shaft bushing (lower)	1	1	
B32	HA113D2222	Bevel gear for vertical shaft(lower)	1	1	
B33	HA113D2212	Bevel gear for hook shaft	1	1	
B34	HA108C0663	Set screw	8	8	SM1/4(40)×7
B35	HA710R0651	Driver		1	
B35	HA307D0671	Driver	1		
B36	HA110D0672	Set screw	2	2	SM15/64(28)×12
B37	HA700R0030	Spacer 1		2	
B38	HA700R0010	Speed command disc 1		1	
B39	HA700R0020	Speed command disc 2		1	
B40	HA700R0040	Spacer 2		1	
B41	HA700R0050	Support spring		1	



## B.NEEDLE BAR AND THREAD TAKE-UP MECHANISM

Fig. No.	Part No.	Description	NF 331 SK	NF 331 SK-AUT	Remarks
B42	HA700R0060	Washer		1	
B43	H007009300	C-type ring		1	GB/T894.1 30
B44	HA300C2030	Set screw		3	SM11/64(40)×8
B45	HA703R0066	Detector bracket supporter		1	
B46	HA703R0067	Washer		1	
B47	HA700R0000	Driver complete		1	
B48	HA703R0065	Detector complete		1	
B904	HA104C0065	Needle bar link and thread take-up lever complete	1	1	
B905	HA113D4021	Bevel gear for arm shaft complete	1	1	
B906	HA113D4022	Bevel gear for hook shaft complete	1	1	

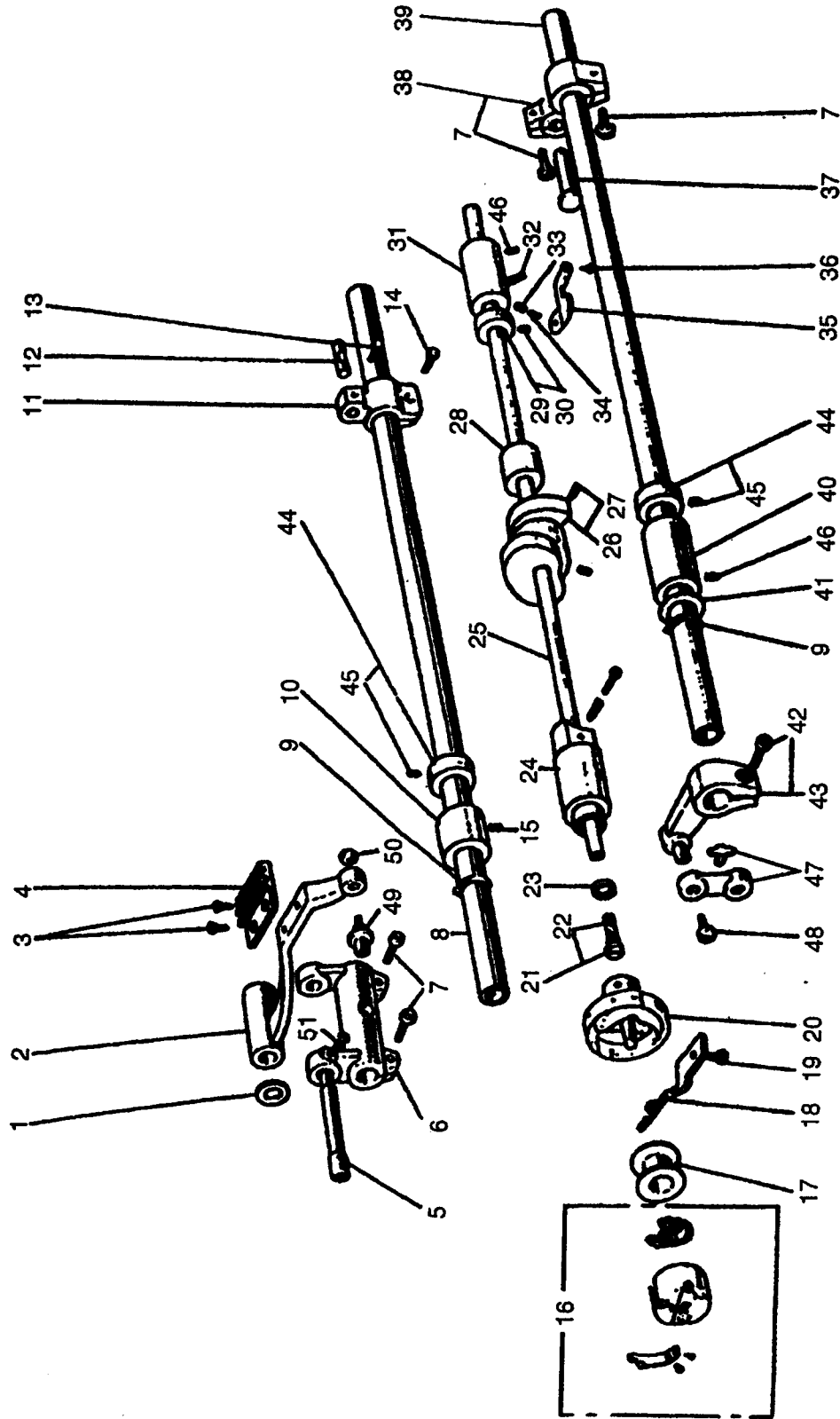
# C.NEEDLE BAR FEEDING MECHANISM



## C.NEEDLE BAR FEEDING MECHANISM

Fig. No.	Part No.	Description	NF 331 SK	NF 331 SK-AUT	Remarks
C01	HA304G0656	Set screw	1	1	SM3/16(28)×15
C02	H3012D0691	Needle bar vibrating lever	1	1	
C03	HA100B2110	Set screw	2	2	SM11/64(40)×5.5
C04	H3012D0693	Needle bar vibrating lever link	1	1	
C05	H3012D0692	Needle bar vibrating lever link pin	1	1	
C06	H5904D7101	Needle bar support complete	1	1	
C07	H7404D8001	Gasket for needle bar support	1	1	
C08	H7405D8001	Fitting plate for gasket	1	1	
C09	H3000D2160	Set screw	2	2	SM9/64(40)×4.5
C10	H3000D2170	Needle bar support guide bracket	1	1	
C11	HA300C2030	Set screw	2	2	SM11/64(40)×8
C12	H3000D2020	Needle bar support bushing	1	1	
C13	H3000D2030	Needle clamp screw	1	1	SM11/64(40)×4.35
C14	H30612D113	Guide bracket for needle bar slide block	1	1	
C15	H005005050	Washer	1	1	GB/T95 5
C16	HA304G0656	Set screw	1	1	SM3/16(28)×15
C17	H3000D2110	Needle bearing	1	1	
C18	HA104G0654	Set screw	1	1	SM1/8(44)×6
C19	H005004040	Washer	1	1	GB/T848 4
C20	H3000D2130	Felt	1	1	
C21	HA100B2110	Set screw	2	2	SM11/64(40)×5.5
C22	H3010D0672	Rock shaft bushing (left)	1	1	
C23	H3010D0671	Rock shaft	1	1	
C24	H3009D0662	Rock shaft driving crank pin	1	1	
C25	HA104G0012	Set screw	1	1	SM3/16(28)×12
C26	H3009D0661	Rock shaft driving crank	1	1	
C27	HA100B2110	Set screw	1	1	SM11/64(40)×5.5
C28	HA105D0662	Set screw	2	2	SM1/4(40)×4
C29	H3011D0681	Collar for rock shaft	1	1	
C30	H3010D0673	Rock shaft bushing (right)	1	1	
C31	H3010D0674	Washer	1	1	
C32	H007009120	C-type ring	1	1	GB/T894.1 12
C33	H3000B2110	Rubber plug	1	1	
C34	H3000D2050	Crank rod for feed rock shaft	1	1	
C35	H3004D0651	Feed rock shaft driving crank	1	1	
C36	HA304G0656	Set screw	1	1	SM3/16(28)×15
C37	H30611D713	Set screw	1	1	SM1/8(44)×3.9
C38	H3000D2040	Eccentric shaft	1	1	

# D. ROTATING HOOK SHAFT MECHANISM



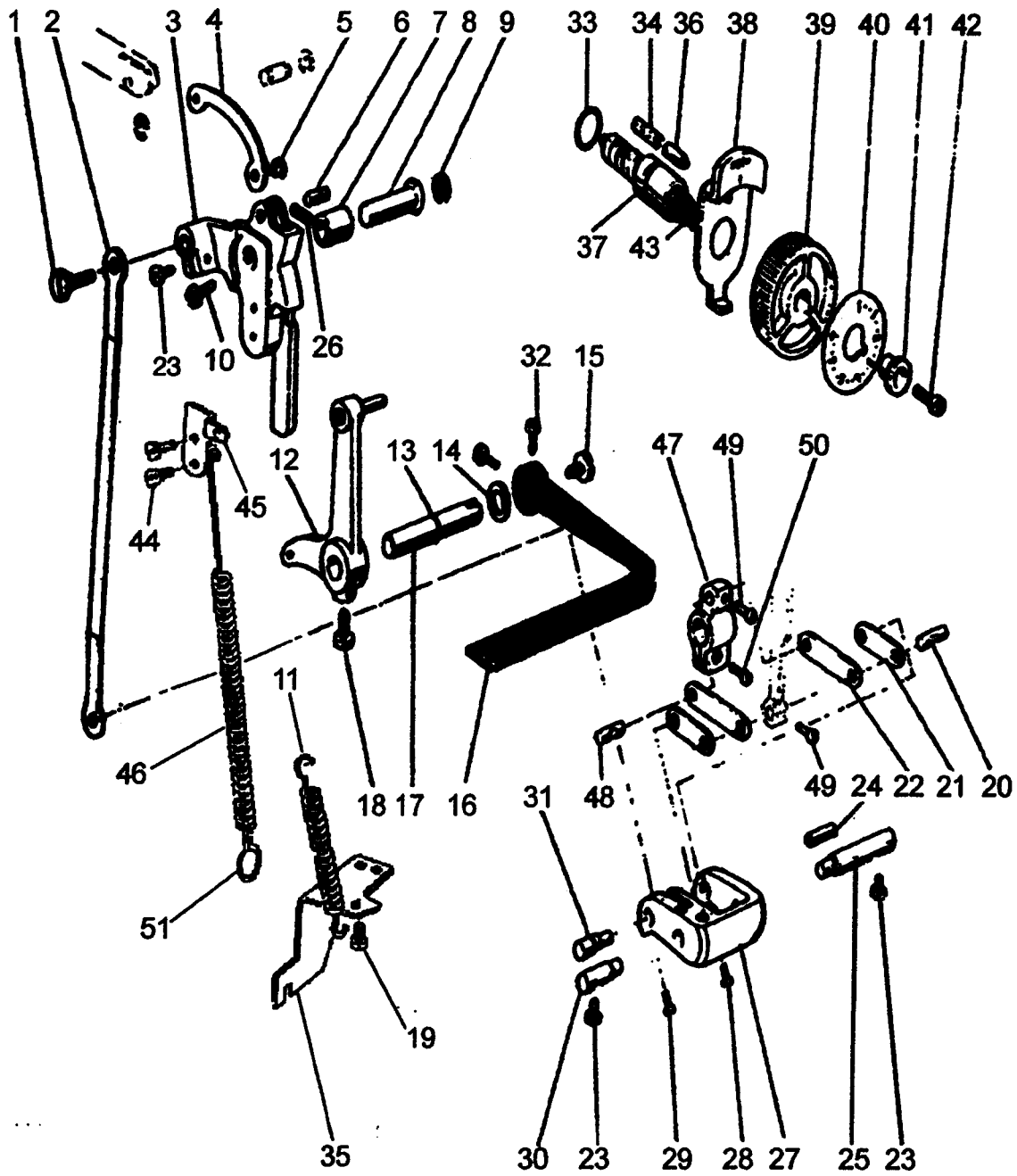
## D.ROTATING HOOK SHAFT MECHANISM

Fig. No.	Part No.	Description	NF 331 SK	NF 331 SK-AUT	Remarks
D01	HA104G0656	Washer	1	1	
D02	H30311E106	Feed bar	1	1	
D03	HA104G0654	Set screw	2	2	SM1/8(44)×6
D04	H7404E8001	Feed dog	1	1	
D05	HA705J0654	Shaft for feed bar crank (eccentric)	1	1	
D06	HA104G0011	Feed rock shaft crank	1	1	
D07	HA104G0012	Set screw	4	4	SM3/16(28)×12
D08	HA300G2050	Feed rock shaft	1	1	
D09	H007009150	C-type ring	2	2	GB/T894.1 15
D10	HA100G2040	Feed rock shaft bushing	1	1	
D11	HA7311C706	Feed rock shaft crank (right)	1	1	
D12	HA706C11B2	Feed rock shaft crank pin	1	1	
D13	HA7311C806	Set screw	2	2	SM11/64(40)×7
D14	HA7311C606	Set screw	1	1	SM11/64(40)×12
D15	HA305E0662	Set screw	1	1	SM15/64(28)×4.5
D16	H3005E0066	Rotating hook complete	1	1	
D17	HA700E2060	Bobbin	1	1	
D18	HA300E2050	Rotating hook positioner	1	1	
D19	HA100E2150	Set screw	1	1	SM11/64(40)×10
D20	H3004E0065	Bobbin case complete	1	1	
D21	HA104E0011	Filter complete	1	1	
D22	HA1111E204	Filter	1	1	
D23	HA700E2030	Oil seal	1	1	
D24	HA704B0654	Hook shaft bushing (left)	1	1	
D25	HA304E0651	Rotating hook shaft	1	1	
D25	HA704E0651	Rotating hook shaft		1	
D26	HA710E0691	Thread timer cam		1	
D27	HA710E0692	Set screw		2	SM1/4(40)×10
D28	HA704B0653	Rotating hook shaft bushing (middle)		1	
D29	HA305E0066	Collar for rotating hook shaft	1	1	
D30	HA305E0662	Set screw	1	1	SM15/64(28)×4.5
D31	HA311E0671	Rotating hook shaft bushing (right)	1	1	
D32	HA110E0672	Oil pipe for rotating hook shaft	1	1	
D33	HA300E2100	Plunger	1	1	
D34	HA300E2110	Plunger spring	1	1	
D35	HA300E2040	Guide plate	1	1	
D36	HA104E0654	Set screw	1	1	SM15/64(28)×10
D37	HA100E2070	Hinge pin	1	1	
D38	HA306E0067	Feed lifting rock shaft crank (right)	1	1	
D39	HA305E0663	Feed lifting rock shaft	1	1	
D40	HA100E2120	Feed lifting rock shaft bushing	1	1	
D41	HA100E2130	Washer	1	1	
D42	HA111E0683	Set screw	1	1	SM11/64(40)×12

## D.ROTATING HOOK SHAFT MECHANISM

Fig. No.	Part No.	Description	NF 331 SK	NF 331 SK-AUT	Remarks
D43	H3009E0068	Feed lifting rock shaft crank (left)	1	1	
D44	HA108G0066	Collar for Feed lifting rock shaft	2	2	
D45	HA105D0662	Set screw	4	4	SM1/4(40)×4
D46	HA100C2020	Set screw	2	2	SM15/64(28)×10
D47	HA112G0070	Feed bar link	1	1	
D48	HA100G2100	Set screw	2	2	SM9/64(40)×6.5
D49	HA104G0659	Hinge pin	1	1	
D50	HA104G0658	Hinge pin nut	1	1	SM3/16(32)
D51	HA300C2030	Set screw	1	1	SM11/64(40)×8

# E.STITCH REGULATOR MECHANISM



## E.STITCH REGULATOR MECHANISM

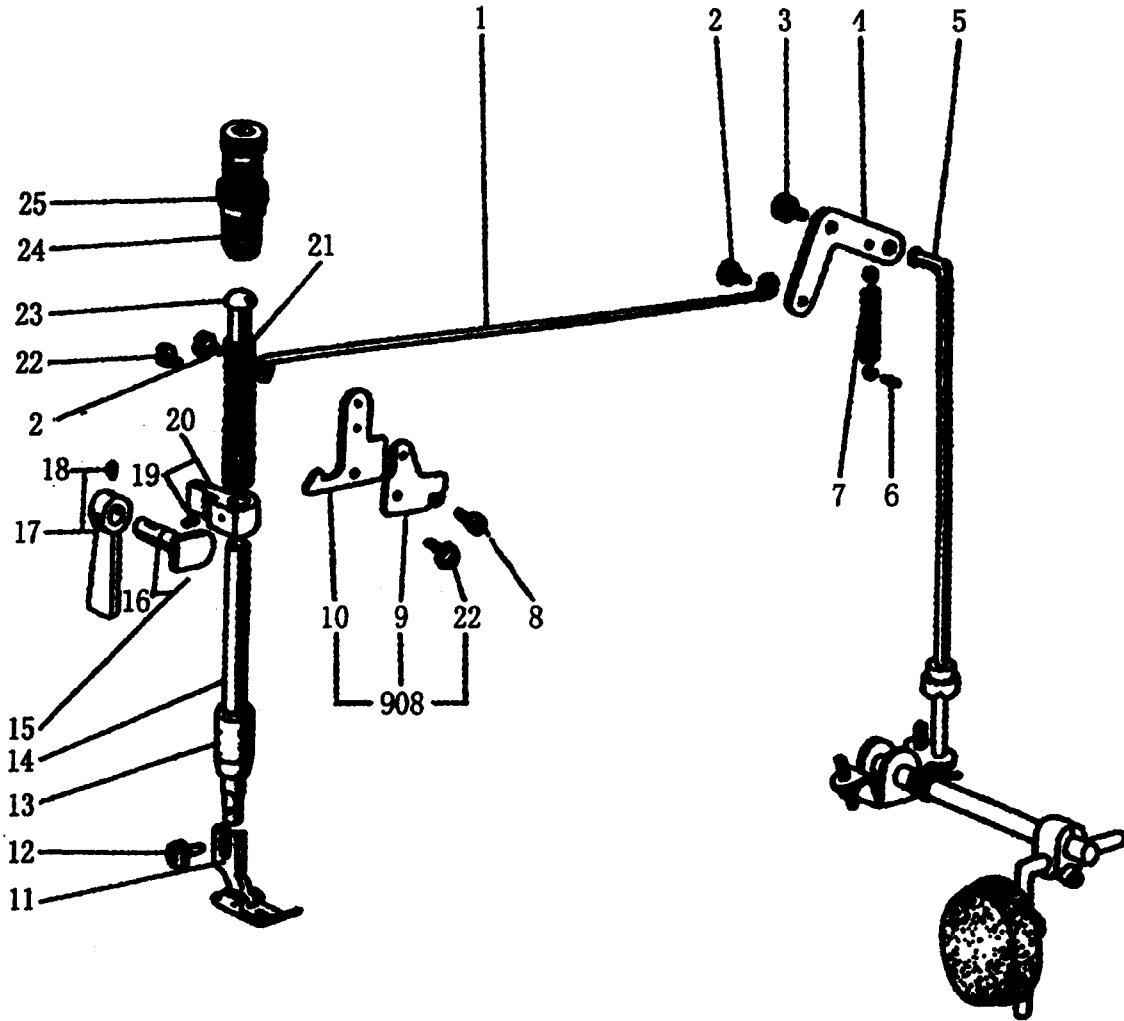
Fig. No.	Part No.	Description	NF 331 SK	NF 331 SK-AUT	Remarks
E01	H1204E0651	Connecting rod stud	1		
E01	H3000F2070	Connecting rod stud		1	
E02	HA7311C406	Feed connecting link	1		
E02	H3000F2010	Feed connecting link		1	
E03	H1204E0651	Feed regulator	1		
E03	H3005F0651	Feed regulator		1	
E04	H3000F2090	Reverse feed link		1	
E05	H007013040	Washer	1	1	GB/T896 4
E06	H2204D0652	Pin	1	1	
E07	HA704B0655	Feed regulator bushing	1	1	
E08	HA100F2040	Hinge pin for feed regulator	1	1	
E09	HA700B2120	Rubber plug	1	1	
E10	HA113F0684	Set screw		1	SM15/64(28)×8.5
E11	HA115F0692	Spring for reverse feed lever crank	1		
E11	H3009F0663	Spring for reverse feed lever crank		1	
E12	HA115F0069	Reverse feed lever crank	1		
E12	H3009F0066	Reverse feed lever crank		1	
E13	HA113F3022	O-ring	1	1	
E14	HA100F2110	Washer	1	1	
E15	HA113F0683	Set screw	1	1	SM3/16(28)×6.5
E16	HA309F0671	Reverse feed lever	1	1	
E17	HA113F3021	Reverse feed lever pin	1		
E17	H3008F0671	Reverse feed lever pin		1	
E18	HA100F2130	Set screw	1	1	SM15/64(28)
E19	HA800F2020	Set screw	1	1	SM15/64(28)×13.5
E20	HA706C11B1	Link stud	1	1	
E21	HA706C1191	Link (short)	2	2	
E22	HA706C1192	Link (long)	2	2	
E23	HA111G0683	Set screw	3	3	SM11/64(40)×12
E24	HA7311CE06	Link stud	1	1	
E25	HA700C2040	Feed regulator shaft (right)	1	1	
E26	H2000H2020	Set screw	2	2	SM15/64(28)×14
E27	HA7311CG06	Stitch length adjusting crank	1	1	
E28	HA7311CD06	Set screw	1	1	SM9/64(40)×8.5
E29	HA7311CC06	Set screw	1	1	SM9/64(40)×6.5
E30	HA700C2050	Feed regulator shaft (left)	1	1	
E31	HA7311CF06	Link stud	1		
E31	H3000F2080	Link stud		1	
E32	HA104F0654	Set screw	2	2	SM15/64(28)×10
E33	HA109F0674	O-ring	1	1	
E34	HA100F2090	Spring for stopper pin	1	1	
E35	HA100F2140	Spring holder	1	1	
E36	HA700F2030	Stopper pin	1	1	



## E.STITCH REGULATOR MECHANISM

Fig. No.	Part No.	Description	NF 331 SK	NF 331 SK-AUT	Remarks
E37	HA720F0681	Feed regulator screw bar	1	1	
E38	HA720F0683	Stopper pin releasing lever	1	1	
E39	HA7421F120	Dial	1	1	
E40	HA720F0684	Stitch length indicating plate	1	1	
E41	HA720F0685	Bushing for dial screw	1	1	
E42	HA720F0686	Dial screw	1	1	
E43	HA720F0687	Coil spring	1	1	
E44	HA100C2190	Set screw		2	SM9/64(40)×8
E45	HA7311CI06	Spring holder		1	
E46	HA7311CJ06	Spring for feed regulator crank	1	1	
E47	HA7311C706	Feed rock shaft bushing	1	1	
E48	HA7311C806	Set screw	2	2	SM11/64(40)×7
E49	HA7311C606	Set screw	2	2	SM11/64(40)×12
E50	HA706C11B2	Link stud	1	1	

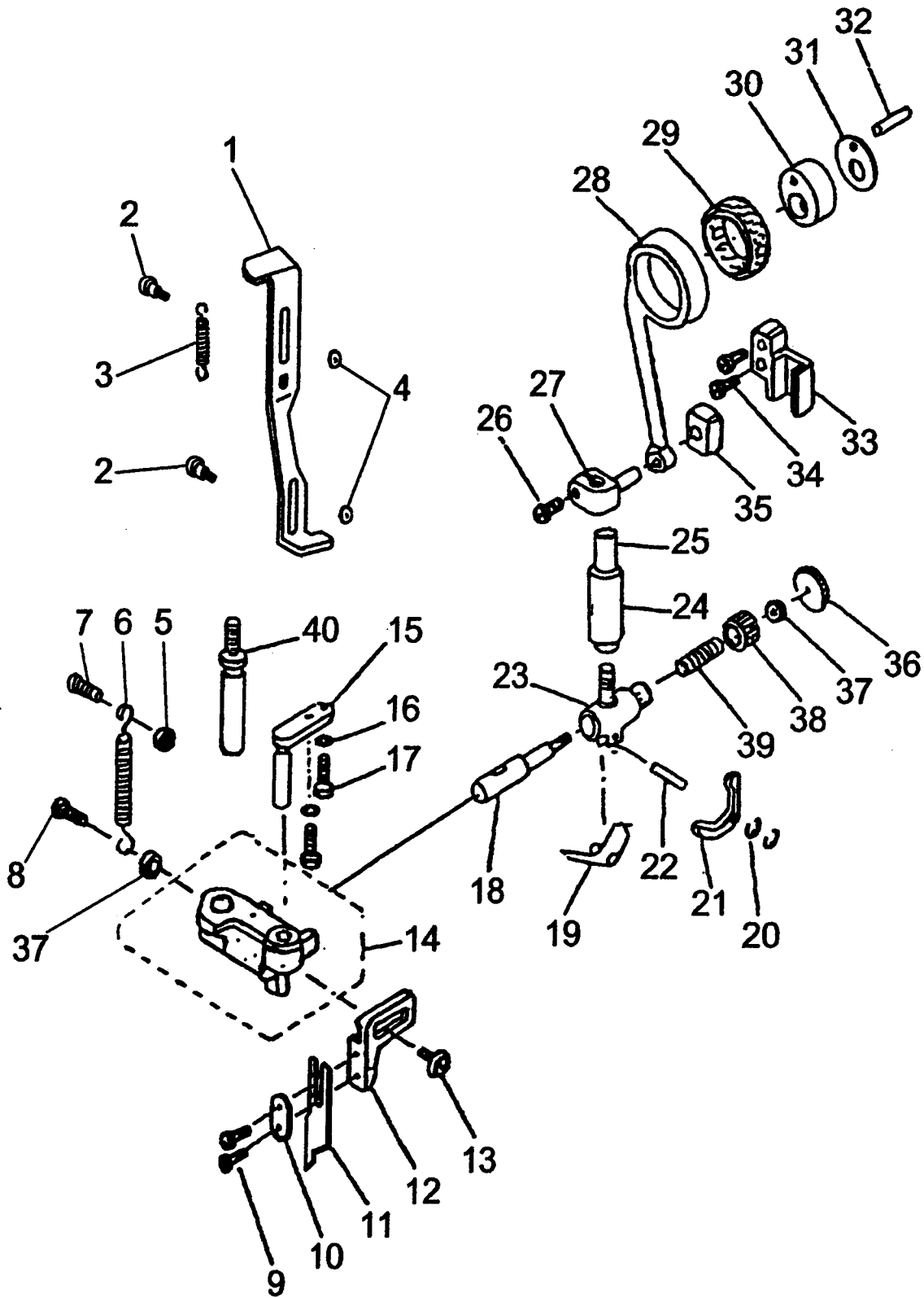
# F.PRESSER FOOT MECHANISM



## F.PRESSER FOOT MECHANISM

Fig. No.	Part No.	Description	NF 331 SK	NF 331 SK-AUT	Remarks
F01	HA107H0663	Knee lifter rod	1	1	
F02	HA107H0662	Set screw	2	2	SM3/16(28)×3.5
F03	HA100H2050	Set screw	1	1	SM15/64(28)×13.5
F04	HA306H0067	Knee lifter lever (right)	1	1	
F05	HA306H0671	Knee lifter connecting rod	1	1	
F06	HA100H2080	Pin for spring	1	1	
F07	HA110H0672	Spring for knee lifter lever	1	1	
F08	HA100H2050	Set screw	1	1	SM15/64(28)×13.5
F09	HA305H6611	Tension releasing cam	1	1	
F10	HA73111106	Knee lifter lever (left)	1	1	
F11	H7404H7101	Presser foot complete	1	1	
F12	HA100H2150	Set screw	1	1	SM9/64(40)×11
F13	HA704B0651	Presser bar bushing	1	1	
F14	HA300H2110	Presser bar	1	1	
F15	HA705I0661	Presser bar lifting cam	1	1	
F16	HA300H2080	Oil seal for presser bar lifting cam	1	1	
F17	H7408H8001	Presser bar lifter	1	1	
F18	HA100B2110	Set screw	1	1	SM11/64(40)×5.5
F19	HA3411D308	Set screw	1	1	SM15/64(28)×7
F20	H3004G0651	Presser bar lifting bracket	1	1	
F21	HA300H2050	Presser bar spring	1	1	
F22	HA107H0662	Set screw	1	1	SM3/16(28)×3.5
F23	HA100H2120	Presser bar guide	1	1	
F24	HA309H0681	Pressure regulating thumb screw	1	1	
F25	HA117H0692	Lock nut	1	1	
F908	HA706I2011	Presser bar lifting lever complete	1	1	

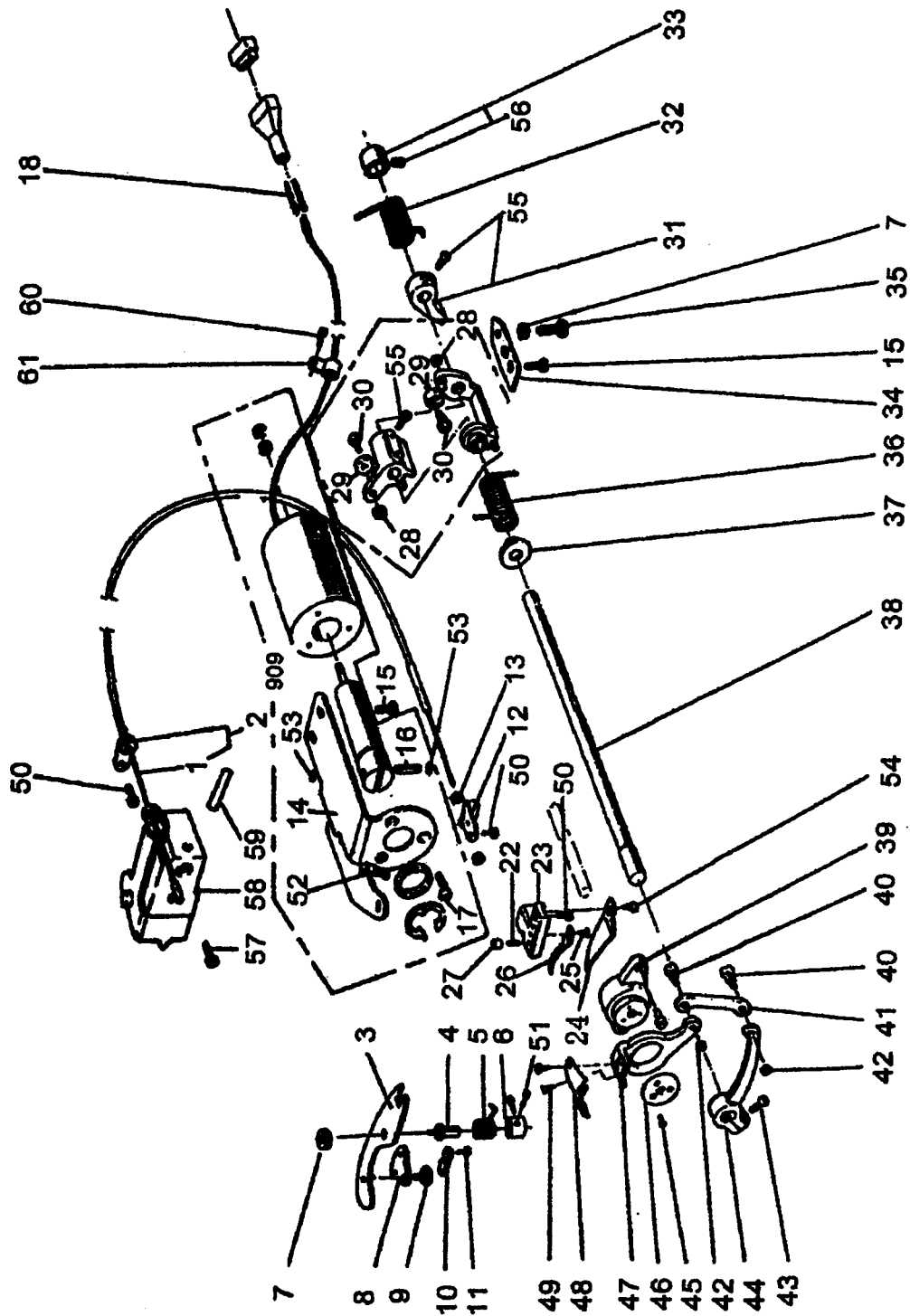
# G.KNIFE MECHANISM



## G.KNIFE MECHANISM

Fig. No.	Part No.	Description	NF 331 SK		Remarks
			NF 331 SK	NF 331 SK-AUT	
G01	H7405F8001	Knife positioning plate	1	1	
G02	H7406F8001	Screw	2	2	SM9/64(40)×5
G03	H7407F8001	Spring	2	2	
G04	H3200I2030	Washer	2	2	
G05	HA104J6510	Nut	2	2	SM15/64(28)
G06	H5707F8001	Spring	1	1	
G07	HA104F0654	Screw	1	1	SM15/64(28)×10
G08	HA100E2150	Screw	1	1	SM11/64(40)×9.5
G09	HA100C2170	Screw	2	2	SM1/8(44)×4.5
G10	H5709F8001	Washer	1	1	
G11	H5710F8001	Knife	1	1	
G12	H5711F8001	Knife holder	1	1	
G13	H5733F8001	Screw	1	1	SM11/64(40)×8
G14	H5712F8001	Knife driving block Asm.	1	1	
G15	H7409F8001	Guide stud for knife driving	1	1	
G16	H005004050	Washer	2	2	GB/T848 5
G17	H5735F8001	Screw	2	2	SM3/16(28)×9
G18	H5715F8001	Knife driving rod clutch pin	1	1	
G19	H5716F8001	Spring	1	1	
G20	H007013015	Stop ring	2	2	GB/T896 1.5
G21	H5717F8001	Knife release lever	1	1	
G22	H5718F8001	Pin	1	1	
G23	H5719F8001	Knife driving rod clutch pin guide	1	1	
G24	H5720F8001	Bushing	1	1	
G25	H5721F8001	Knife driving stud	1	1	
G26	HA104C0659	Screw	1	1	SM9/64(40)×6
G27	H5722F8001	Knife driving stud connection	1	1	
G28	H5723F8001	Knife driving rod	1	1	
G29	H30211C206	Knife needle bearing	1	1	
G30	H5724F8001	Knife cam	1	1	
G31	H5725F8001	Thrust plate	1	1	
G32	H5726F8001	Pin	1	1	
G33	H5727F8001	Slide block guide	1	1	
G34	HA100C2190	Screw	2	2	SM11/64(40)×8
G35	HA100C2200	Slide block	1	1	
G36	H5728F8001	Knob	1	1	
G37	H5729F8001	Nut	2	2	
G38	H5730F8001	Cap	1	1	
G39	H5731F8001	Spring	1	1	
G40	H5732F8001	Knife driving block stud	1	1	

# H.THREAD TRIMMER MECHANISM



## H.THREAD TRIMMER MECHANISM

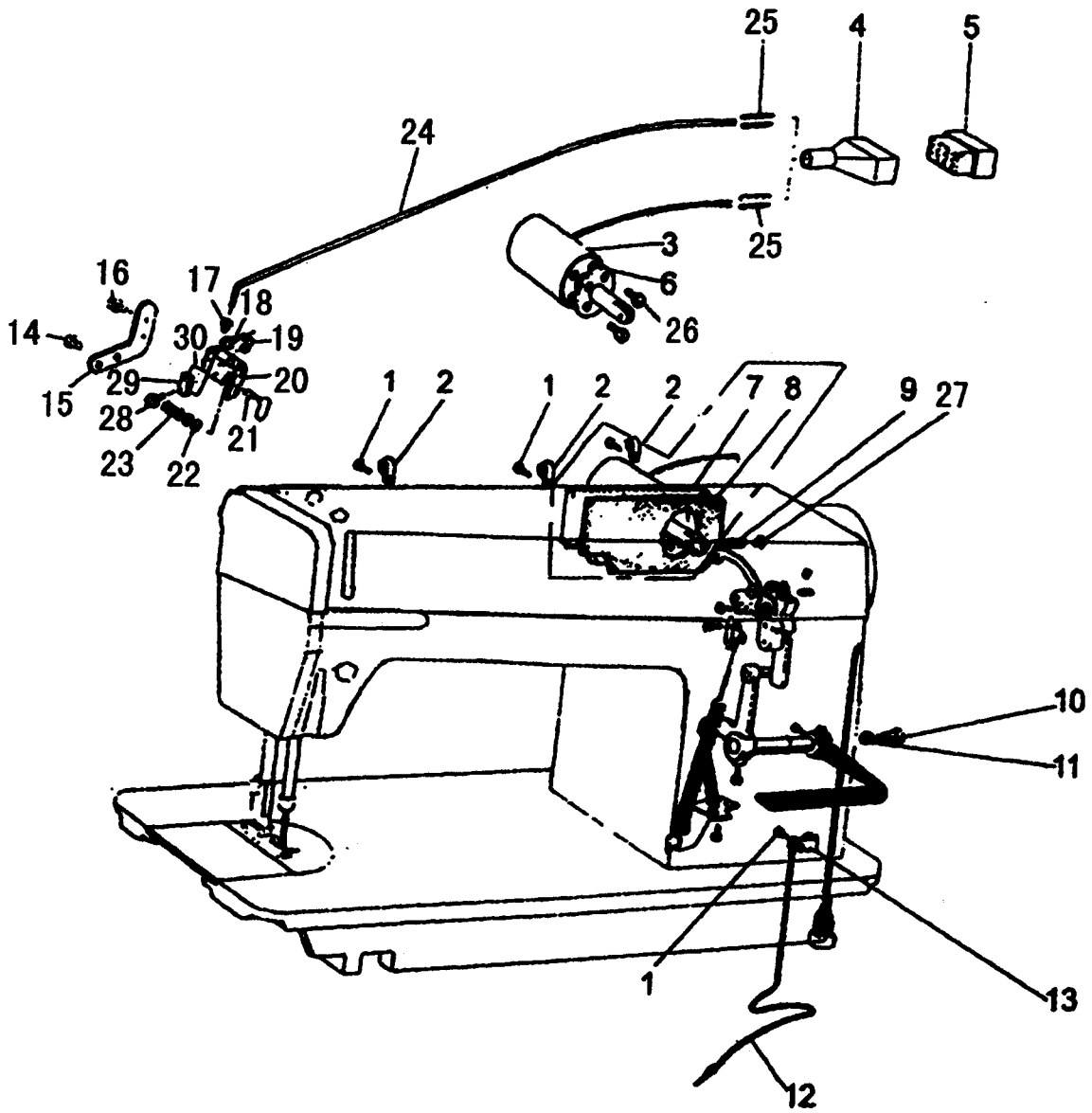
Fig. No.	Part No.	Description	NF 331 SK	NF 331 SK-AUT	Remarks
H01	HA713N0070	Flexible wire complete		1	
H02	HA713N0701	Thread trimmer driving lever		1	
H03	HA712N0698	Thread trimmer driving lever		1	
H04	HA712N0695	Stud screw		1	
H05	HA712N0697	Trimmer driving lever spring		1	
H06	HA712N0696	Collar for stud screw		1	
H07	HA710N0683	Stopper nut		1	SM15/64(28)
H08	HA712N6910	Flexible wire support plate		1	
H09	HA712N0699	Set screw		1	SM11/64(40)×4
H10	HA712N6911	Flexible wire presser		1	
H11	HA712N6912	Set screw		2	SM1/8(44)×7
H12	HA712N6913	Wire holder		1	
H13	H003002050	Wire nut		2	GB/T6170 M5
H14	HA7511N212	Solenoid bracket		1	
H15	HA700N0080	Set screw		4	SM15/64(28)×12
H16	HA712N0692	Thread trimmer solenoid stud		1	
H17	HS90011406	P-type screw		3	M4×6
H18	HA7641B319	Terminal pin		2	
H22	HA7121N604	Set screw		1	SM9/64(40)×8.5
H23	HA7121N104	Bracket for fixed blade		1	
H24	HA7121N404	Thread finger		1	
H25	HA7121N304	Set screw		1	SM9/64(40)×5
H26	H3000H2030	Fixed blade		1	
H27	HA7121N704	Nut		1	SM9/64(40)
H28	HA7221N206	Crank screw		1	
H29	HA7221N106	Crank roller		1	
H30	HA706N0663	Nut		1	SM3/16(28)
H31	HA709N0671	Stopper block		1	
H32	HA700N0110	Coil spring		1	
H33	HA715N0711	Collar with screw		1	
H34	HA710N0682	Lever stopper plate		1	
H35	HA7411N110	Screw		1	SM15/64(28)×23
H36	HA700N0040	Coil spring (left)		1	
H37	HA700N0050	Bushing		1	
H38	H750818001	Knife driving shaft		1	
H39	H750618001	Knife holding bracket saddle		1	
H40	HA7111N204	Set screw		2	SM11/64(40)×6.2
H41	HA7111N404	Rod		1	
H42	HA7111N304	Nut		2	SM11/64(40)
H43	HA719B7011	Set screw		1	SM11/64(40)×11.4
H44	H750718001	Knife driving crank		1	
H45	HA704N1114	Set screw		3	SM1/8(44)×5.2
H46	HA704N1113	Washer		1	

## H. THREAD TRIMMER MECHANISM

Fig. No.	Part No.	Description	NF 331 SK	NF 331 SK-AUT	Remarks
H47	HA704N1112	Knife holding bracket saddle (left)		1	
H48	HA7111N804	Movable knife (left)		1	
H49	HA7111N704	Set screw		2	SM11/64(40)×5.5
H50	HA300C2030	Set screw		6	SM11/64(40)×8
H51	HA7311CC06	Set screw		2	SM9/64(40)×6.5
H52	HA100E2150	Screw		1	SM11/64(40)×10
H53	H007013040	Washer		2	GB/T896 4
H54	HA7311CH06	Set screw		1	SM9/64(40)×8
H55	HA113F0684	Set screw		2	SM15/64(28)×8.5
H56	HA105D0662	Set screw		1	SM1/4(40)×4
H57	HA7311C606	Set screw		2	SM11/64(40)×12
H58	H5904H7101	Thread tension releasing bracket complete		1	
H58	H5905H8001	Thread tension releasing bracket	1		
H59	HA100H2060	Thread tension releasing pin	1		
H59	H3000H2080	Thread tension releasing pin		1	
H60	HA300B2170	Screw		1	SM11/64(40)×9
H61	HA708P0668	Cord holder		1	
H909	HA712N0069	Solenoid bracket complete		1	



# I. TOUCH BACK AND DETECTOR MECHANISM

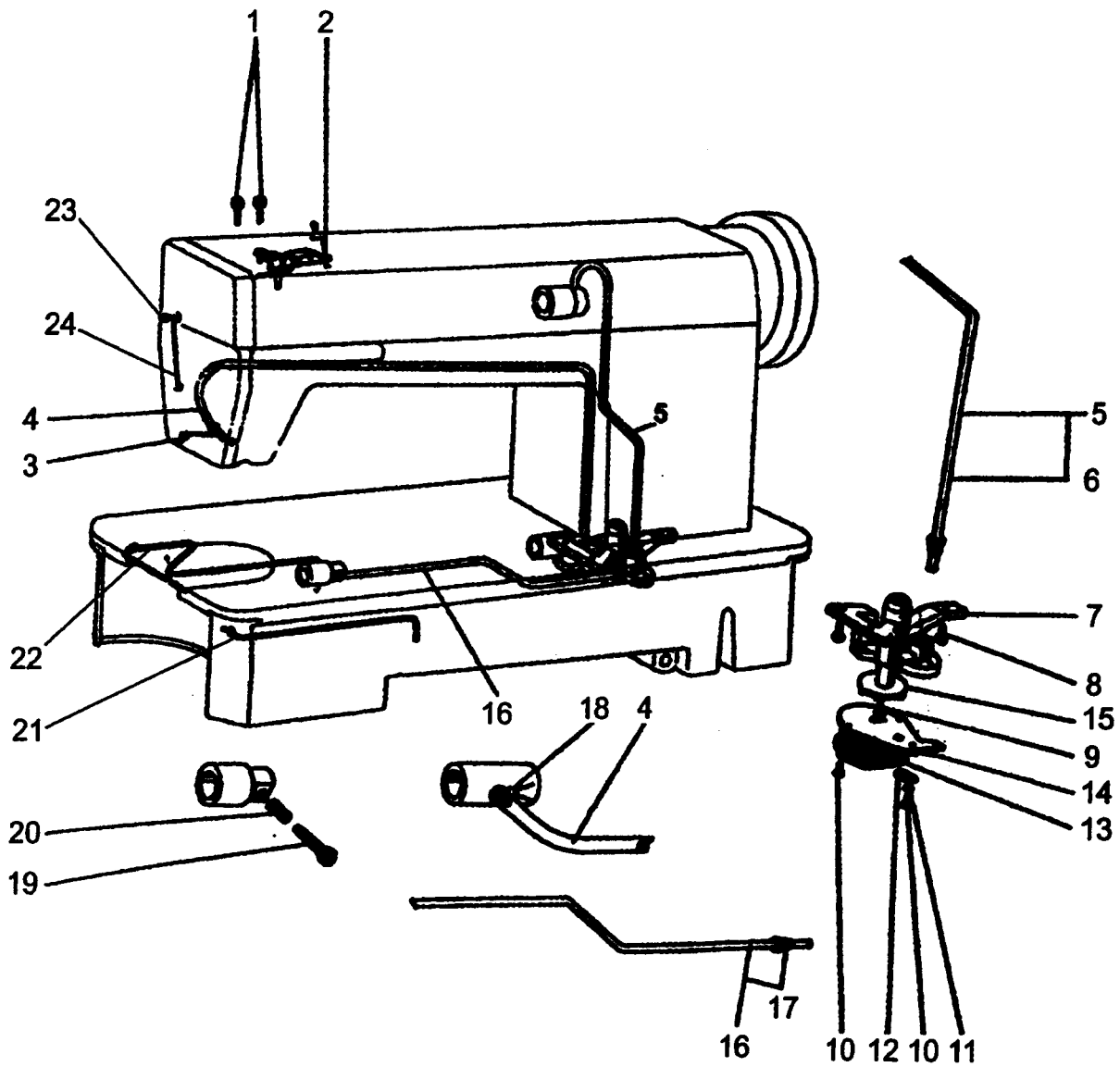


# I. TOUCH BACK AND DETECTOR MECHANISM

Fig. No.	Part No.	Description	NF 331 SK	NF 331 SK-AUT	Remarks
I01	HA300B2170	Screw		4	
I02	HA700Q0030	Cord holder		3	
I03	H2611E8001	Solenoid		1	
I04	HA712Q0693	Tie-in		1	
I05	HA700Q0010	Pin		1	
I06	H2206I0672	Washer		1	
I07	H2609E0671	Arm side cover		1	
I07	HA108B0681	Arm side cover	1		
I08	H2609E0672	Gasket for arm side cover		1	
I08	HA108B0682	Gasket for arm side cover	1		
I09	HA712N0692	Link stud		1	
I10	H2204G0651	Screw		1	SM15/64(28)×7
I11	H2204G0652	Stop ring		1	
I12	HA705Q0065	Ground wire assy.		1	
I13	HA700Q0050	Cord holder		1	
I14	HA300B2170	Screw		2	SM11/64(40)×9
I15	H5911J8001	Bracket for touch switch		1	
I16	HA7221P508	Screw		2	M3×5
I17	HA704O0657	Rubber plug		1	
I18	HA704O0659	Screw		1	M2×4
I19	HA704O0654	Plate spring		1	
I20	H2205I0661	Bracket for touch switch		1	
I21	HA704O0021	Touch switch complete		1	
I22	H007013030	E-type ring		2	GB/T896 3
I23	HA704O0653	Spring		1	
I24	HA7641B319	Cord assy.		3	
I25	HA7641B319	Terminal pin		5	
I26	HA300C2030	Screw		4	SM11/64(40)×8
I27	H007013040	Stop ring		2	GB/T896 4
I28	HA704O6510	Screw		2	M2×8
I29	HA704O0655	Micro switch		1	
I30	HA704O0658	Insulator seat		1	

# J.OIL LUBRICATION MECHANISM

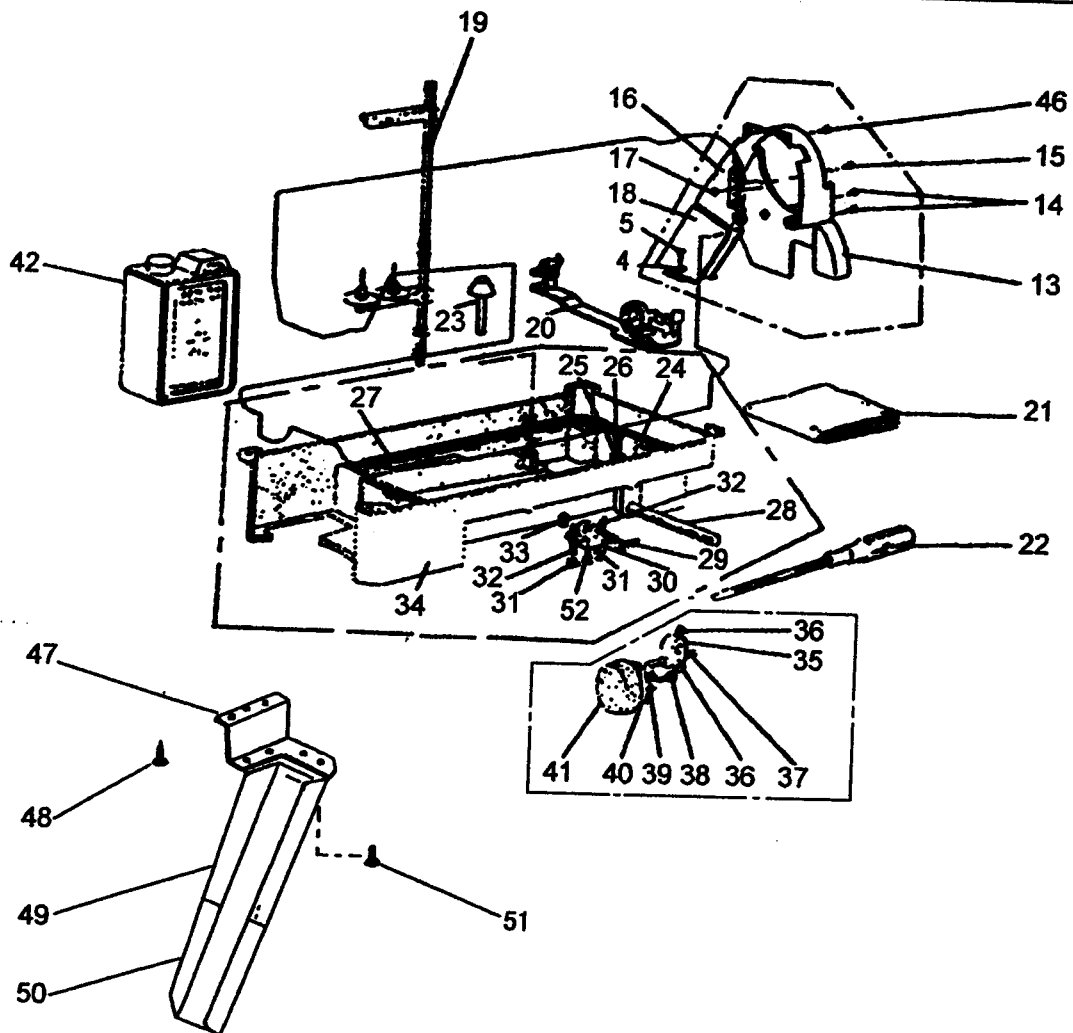
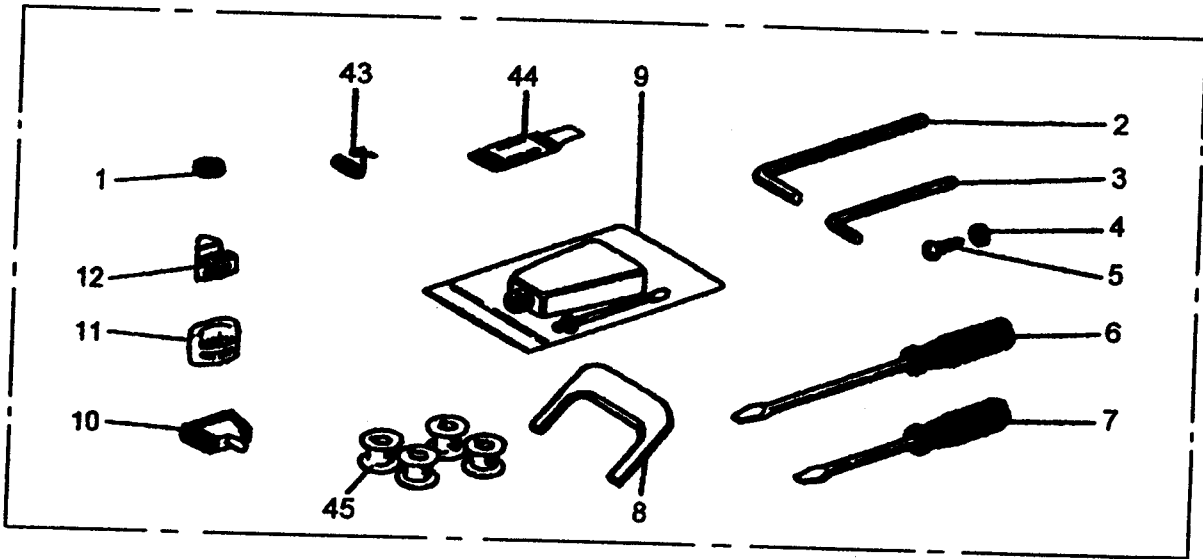
---



## J.OIL LUBRICATION MECHANISM

Fig. No.	Part No.	Description	NF 331 SK		Remarks
				AUT	
J01	HA100H2150	Screw	2	2	SM9/64(40)×11
J02	H3004L0065	Oil wick fitting plate complete	1	1	
J03	H3000L0020	Oil filter holder	1	1	
J04	H3006L0065	Oil return tube complete	1	1	
J05	HA116I0068	Arm shaft oil tube complete	1	1	
J06	HA116I0682	Arm shaft oil tube connector	1	1	
J07	HA100I2010	Oil pump	1	1	
J08	HA100I2090	Set screw	3	3	SM11/64(40)×13
J09	HA100I2030	Set screw	1	1	SM1/8(44)×6.5
J10	HA300I2050	Set screw	3	3	SM1/8(44)×13
J11	HA100I2050	Spring washer	1	1	
J12	HA100I2070	Oil adjusting plate	1	1	
J13	HA111I0065	Oil pump screen complete	1	1	
J14	HA700L0030	Oil pump fitting plate	1	1	
J15	HA100I2020	Oil pump impeller	1	1	
J16	HA707L0065	Oil pipe for hook shaft complete	1	1	
J17	HA113I0661	Oil pipe for hook shaft connector	1	1	
J18	HA300I2030	Oil return tube holder	1	1	
J19	HA300E2030	Oil adjusting screw	1	1	15/64×28/12
J20	HA100E2060	Oil adjusting spring	1	1	
J21	HA305G0664	Oil wick	1	1	
J22	H3000E2050	Oil wick	1	1	
J23	HA300C2030	Set screw	1	1	SM11/64(40)×8
J24	H3000L0030	Oil pipe holder	1	1	

# K.ACCESSORIES



## K.ACCESSORIES

Fig. No.	Part No.	Description	NF 331 SK	NF 331 SK-AUT	Remarks
K01	HA100J2120	Magnet block	1	1	
K02		Hexagon socket screw key 3	1	1	
K03	HA704S0653	Hexagon socket screw key 2	1	1	
K04	HA300J2230	Washer	4	4	
K05	H801045200	Wood screw	4	4	GB/T99 4.5×20
K06	HA300J2200	Screw driver (Size M)	1	1	
K07	HA300J2210	screw driver (Size S)	1	1	
K08	HA704S0654	Speed command disc adjusting plate		1	
K09	HA100J2110	Oil with oiler	1	1	
K10	HA307J0067	Hinge with rubber cushion	1	1	
K11	HA300J2050	Head cushion (large)	2	2	
K12	HA300J2060	Head cushion (small)	2	2	
K13	HA305J0666	Belt cover	1	1	
K14	HA300J2280	Set screw	2	2	SM15/64(28)×8
K15	HA300J2250	Screw	1	1	M4×12.5
K16	HA305J0662	Belt cover complete	1	1	
K17	H003002040	Nut	1	1	GB/T6170 M4
K18	HA305J0665	Belt cover	1	1	
K19	HA707S0068	Thread stand complete	1	1	
K20	HA706S0067	Bobbin winder complete	1	1	
K21	HA300J2190	Head cover	1	1	
K22	HA300J2130	Screw driver (Size L)	1	1	
K23	HA106J0661	Knee lifter lifting rod	1	1	
K24	HA104J0654	Gasket for oil reservoir (small)	1	1	
K25	HA104J0653	Seal washer	1	1	
K26	HA104J0652	Oil drain screw	1	1	SM5/16(28)×10
K27	HA104J0655	Gasket for oil reservoir (large)	1	1	
K28	HA300J2160	Knee lifter shaft	1	1	
K29	HA104J0657	Knee lifter spring	1	1	
K30	HA104J0658	Knee lifter	1	1	
K31	HA104J6510	Nut	2	2	SM5/16(28)
K32	HA104J0659	Set screw	2	2	SM15/64(28)×28
K33	H007013090	E-type ring	1	1	GB/T896 9
K34	H5703I7101	Oil reservoir	1		
K34	H7504K7101	Oil reservoir		1	
K35	HA106J0663	Knee lifter coupling joint	1	1	
K36	HA300J2180	Bolt	2	2	SM5/16(18)×16
K37	HA106J0662	Knee lifter bell crank	1	1	
K38	HA106J0667	Screw	1	1	SM15/64(28)×8
K39	HA106J0666	Gasket for Knee lifter plate	1	1	
K40	HA106J0665	Knee lifter plate	1	1	
K41	HA106J0668	Pad for knee plate	1	1	
K42	HA300J2170	Oil tank	1	1	

## K.ACCESSORIES

Fig. No.	Part No.	Description	NF 331 SK	NF 331 SK-AUT	Remarks
K43	HA115B0706	Thread take-up spring	1	1	
K44	HA300J2310	Needle	1	1	
K45	HA700E2060	Bobbin	4	4	
K46	HA300B2170	Screw	2	2	SM11/64(40)×8
K47	H5709I8001	Bracket	1	1	
K48	H801045200	Screw	3	3	GB/T99 4.5×20
K49	H5704I8001	Waste material chure(large)	1	1	
K50	H5705I8001	Waste material chure(small)	1	1	
K51	H801045200	Screw	4	4	GB/T99 4.5×20
K52	HA110D0672	Screw	1	1	SM15/64(28)×12