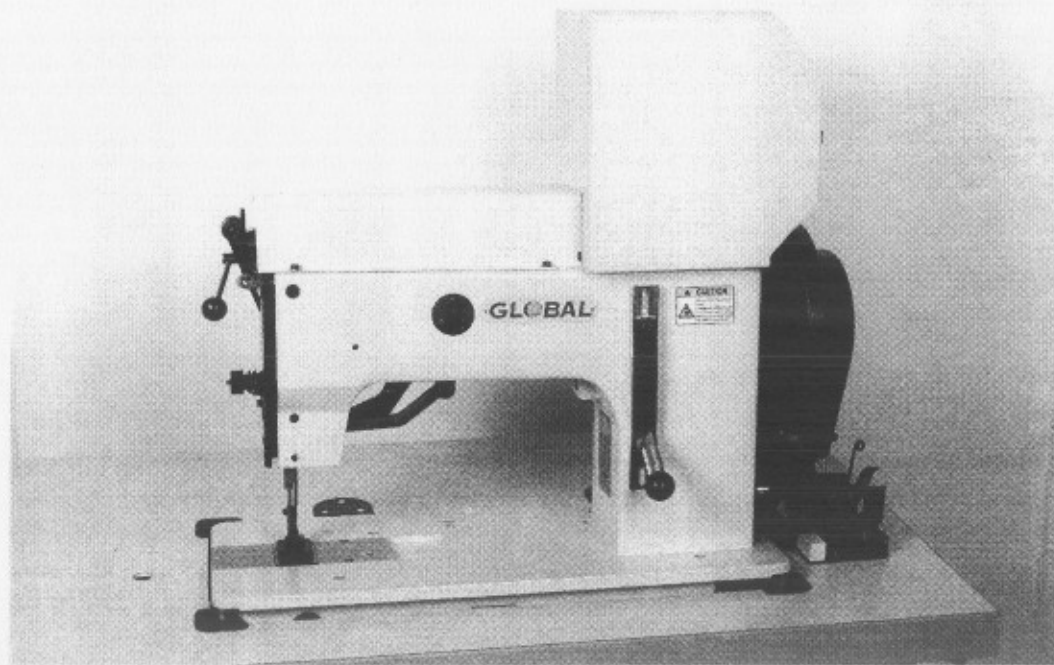
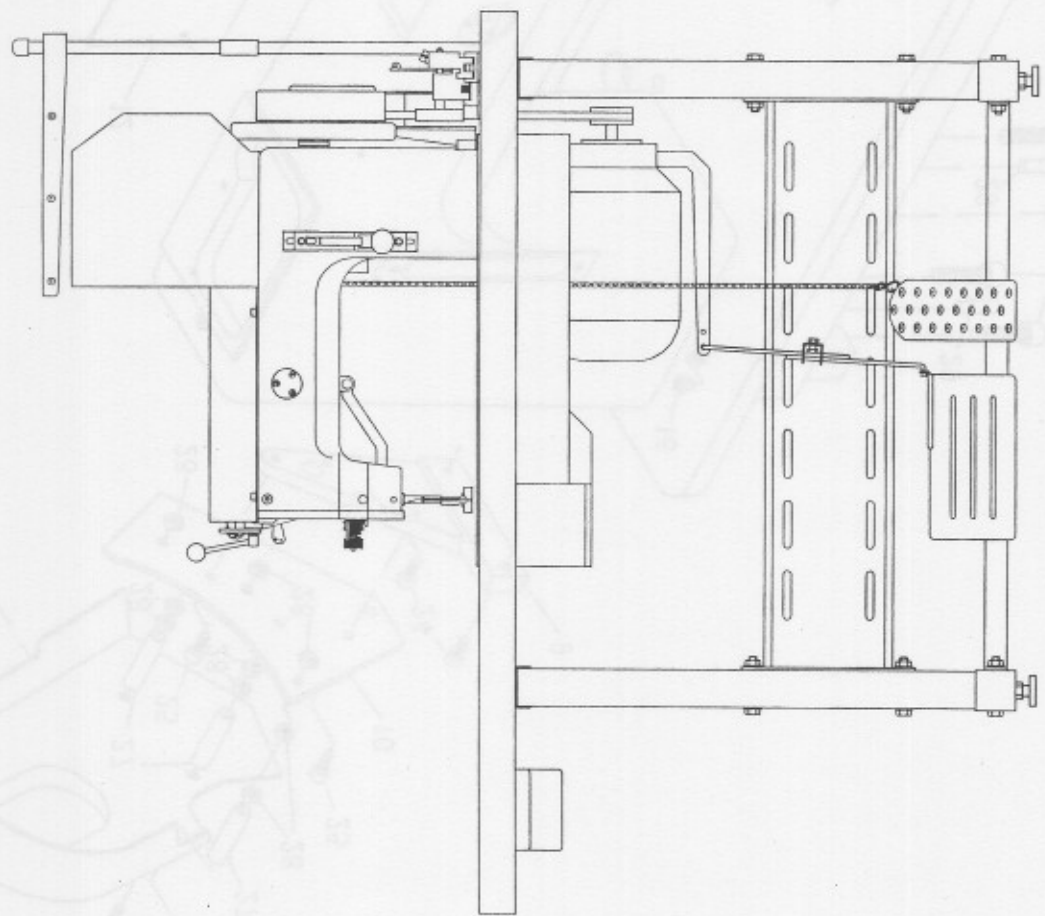


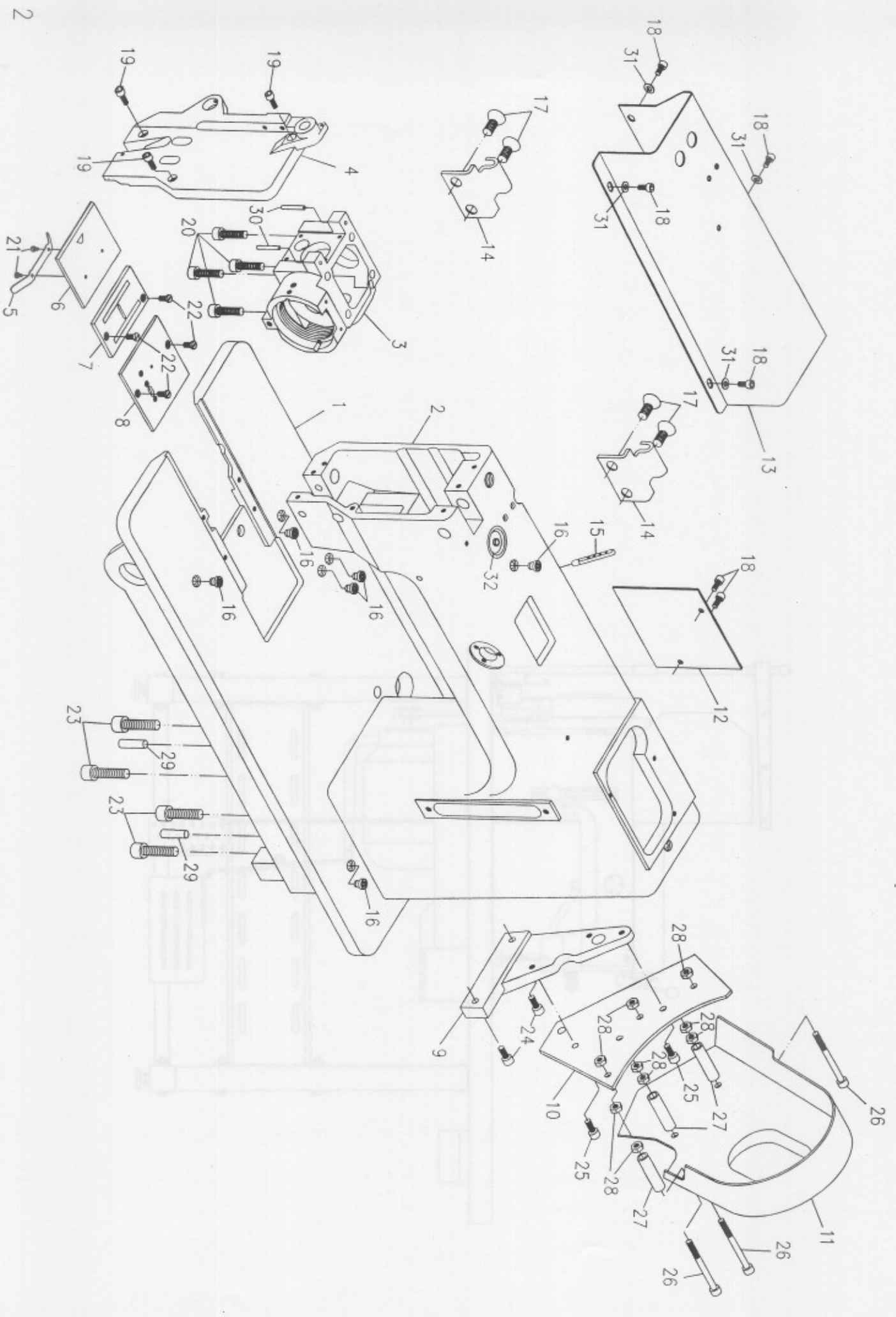
GLOBAL

ZZ 1266 – 3S

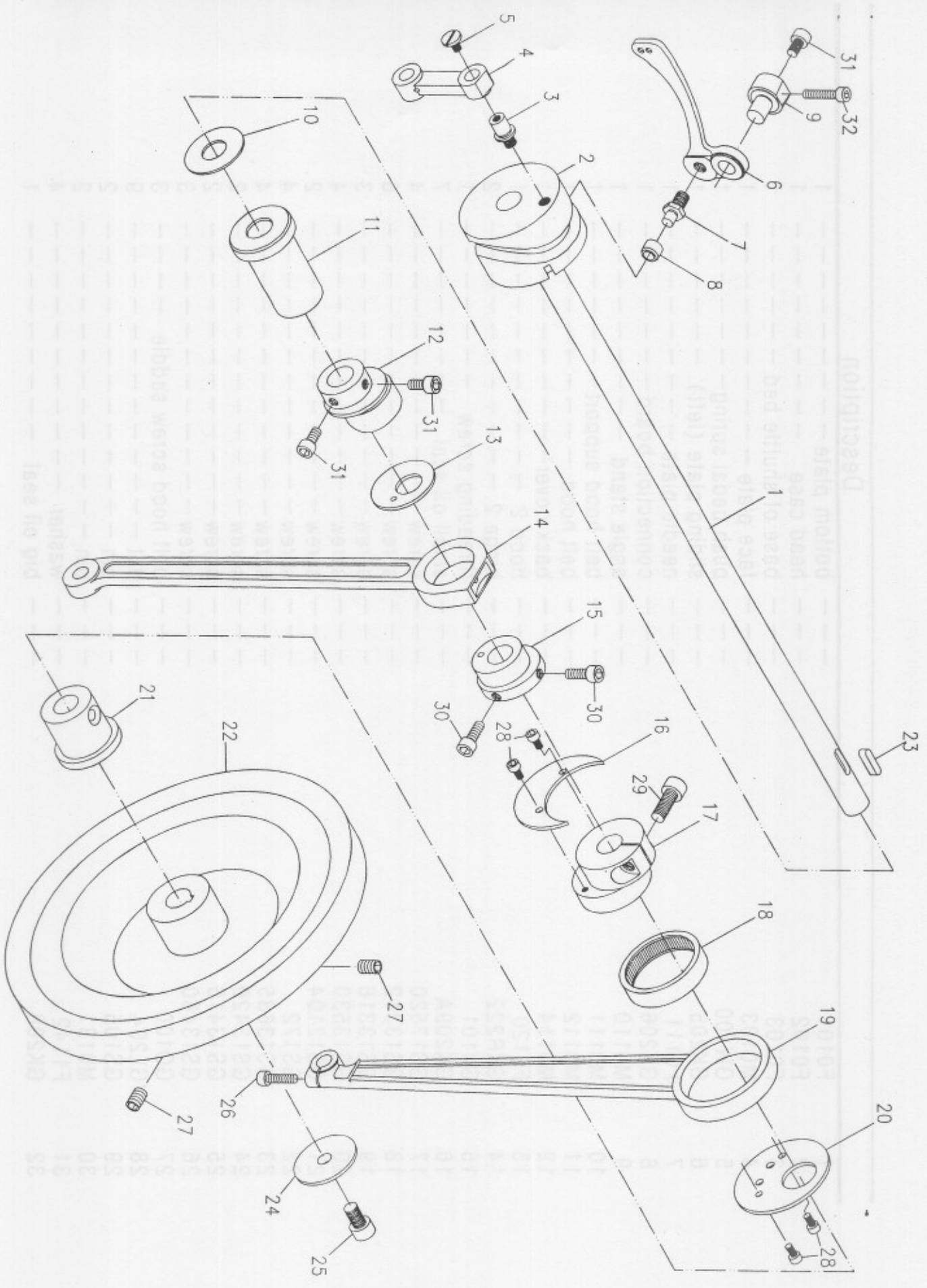
Cam controlled extra heavy duty zig-zag machine



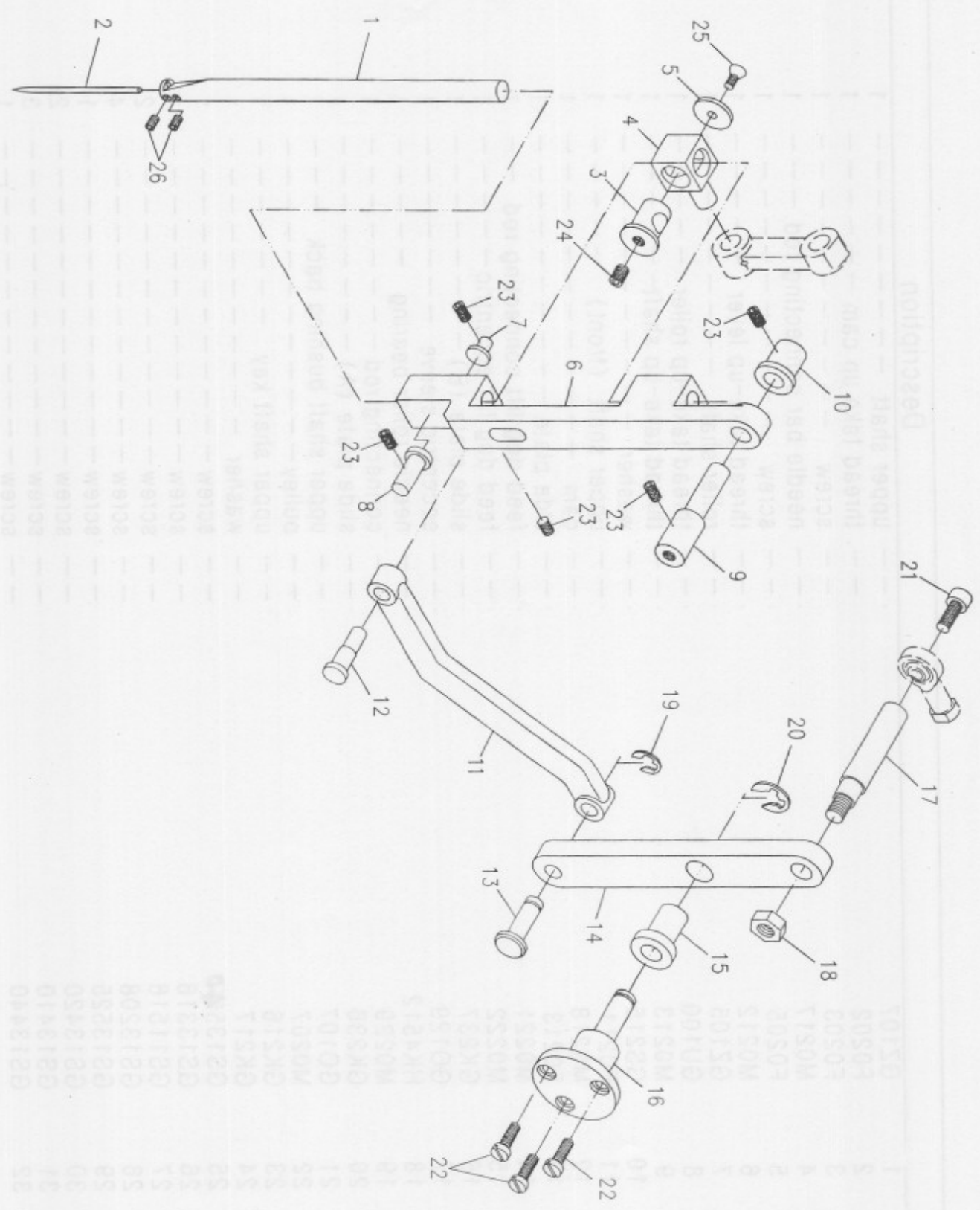




		Description	
1	F0101	--- bottom plate ---	1
2	F0102	--- head case ---	1
3	F0103	--- base of shuttle bed ---	1
4	M0103	--- face plate ---	1
5	GW100	--- push pedal spring ---	1
6	GK205	--- sliding plate (left) ---	1
7	F0111	--- needle plate ---	1
8	GK206	--- connection board ---	1
9	M0110	--- angle stand ---	1
10	M0111	--- belt hood support ---	1
11	M0112	--- belt hood ---	1
12	M0114	--- back cover ---	1
13	F0120	--- hood 2 ---	1
14	GXR222	--- hinge 2 ---	2
15	GX101	--- threading screw ---	1
16	GK209A	--- small oil scal ---	7
17	GS17520	--- screw ---	4
18	GS13312	--- screw ---	6
19	GS13316	--- screw ---	3
20	GS13530	--- screw ---	4
21	GS12104	--- screw ---	2
22	GS172	--- screw ---	4
23	GS13635	--- screw ---	4
24	GS13420	--- screw ---	2
25	GS13416	--- screw ---	2
26	GS13480	--- screw ---	3
27	GO100	--- belt hood screw saddle ---	3
28	GL204	--- nut ---	9
29	GS105	--- pin ---	2
30	M0131	--- pin ---	2
31	F1142	--- washer ---	4
32	GK208	--- big oil seal ---	1



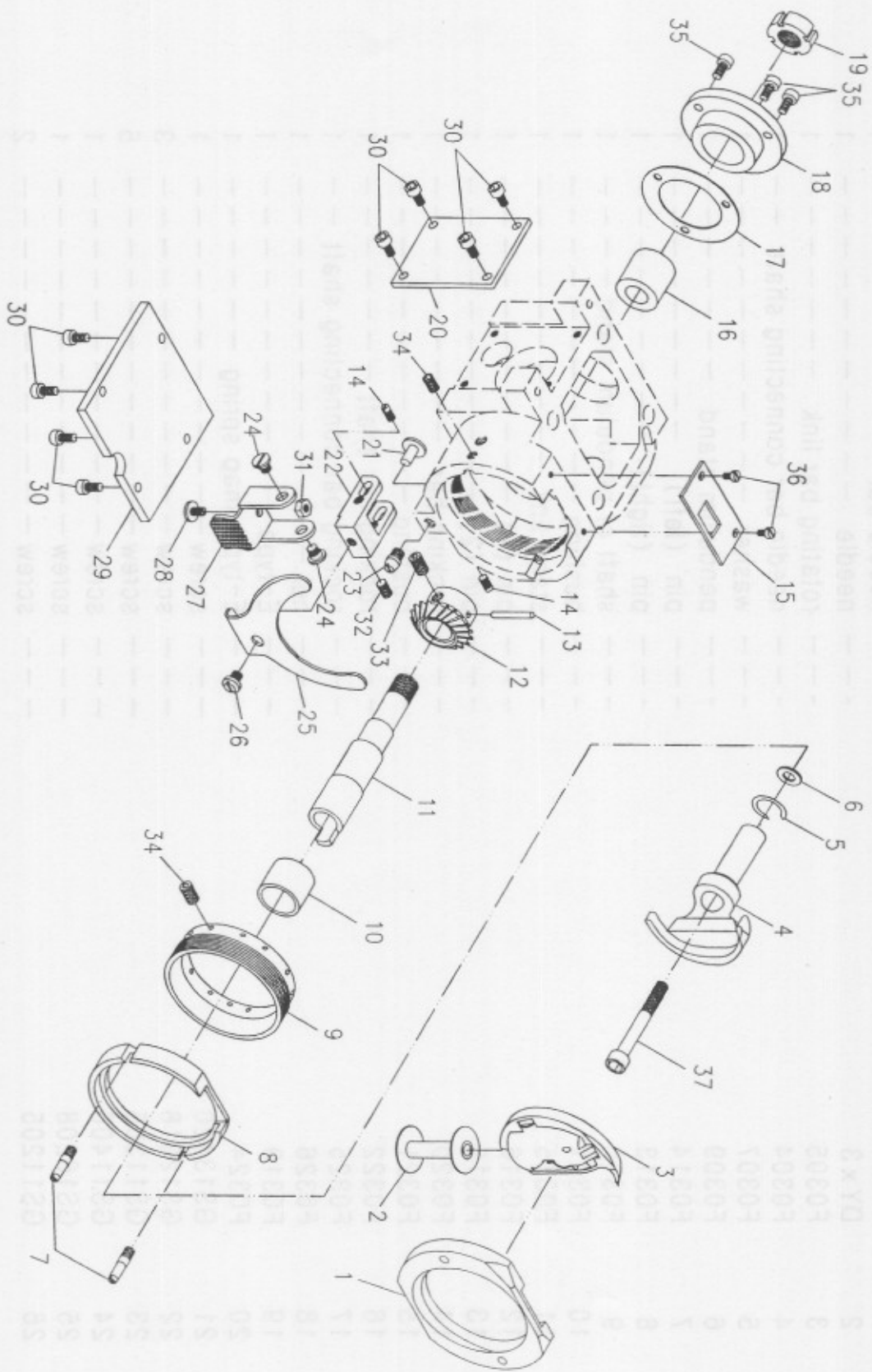
		Description	
1	GZ107	--- upper shaft ---	1
2	F0202	--- thread take up cam ---	1
3	F0203	--- screw ---	1
4	M0217	--- needle bar connecting rod ---	1
5	F0205	--- screw ---	1
6	M0212	--- thread take-up lever ---	1
7	GZ105	--- roller shaft ---	1
8	GU100	--- thread take-up roller ---	1
9	M0213	--- thread take-up shaft ---	1
10	GS215	--- washer ---	1
11	F0211	--- upper shaft (front) ---	1
12	M0218	--- cam ---	1
13	F0213	--- slide plate ---	1
14	M0221	--- feed dog lift connecting rod ---	1
15	M0222	--- feed dog lift eccentric ---	1
16	GK237	--- slide plate (B) ---	1
17	GO129	--- eccentric sleeve ---	1
18	HK4512	--- needle roller bearing ---	1
19	M0229	--- connecting rod ---	1
20	GK236	--- slide plate (A) ---	1
21	GO107	--- upper shaft bushing back ---	1
22	M0207	--- pulley ---	1
23	GK216	--- upper shaft key ---	1
24	GK217	--- washer ---	1
25	GS13540	--- screw ---	1
26	GS13316	--- screw ---	1
27	GS11516	--- screw ---	2
28	GS13208	--- screw ---	4
29	GS13525	--- screw ---	1
30	GS13420	--- screw ---	2
31	GS13410	--- screw ---	3
32	GS13440	--- screw ---	1



50150	1
80503	2
20507	3
T150M	4
30507	5
S150M	6
20152	7
00150	8
T150M	9
0150M	10
0150M	11
0150M	12
0150M	13
0150M	14
0150M	15
0150M	16
0150M	17
0150M	18
0150M	19
0150M	20
0150M	21
0150M	22
0150M	23
0150M	24
0150M	25
0150M	26

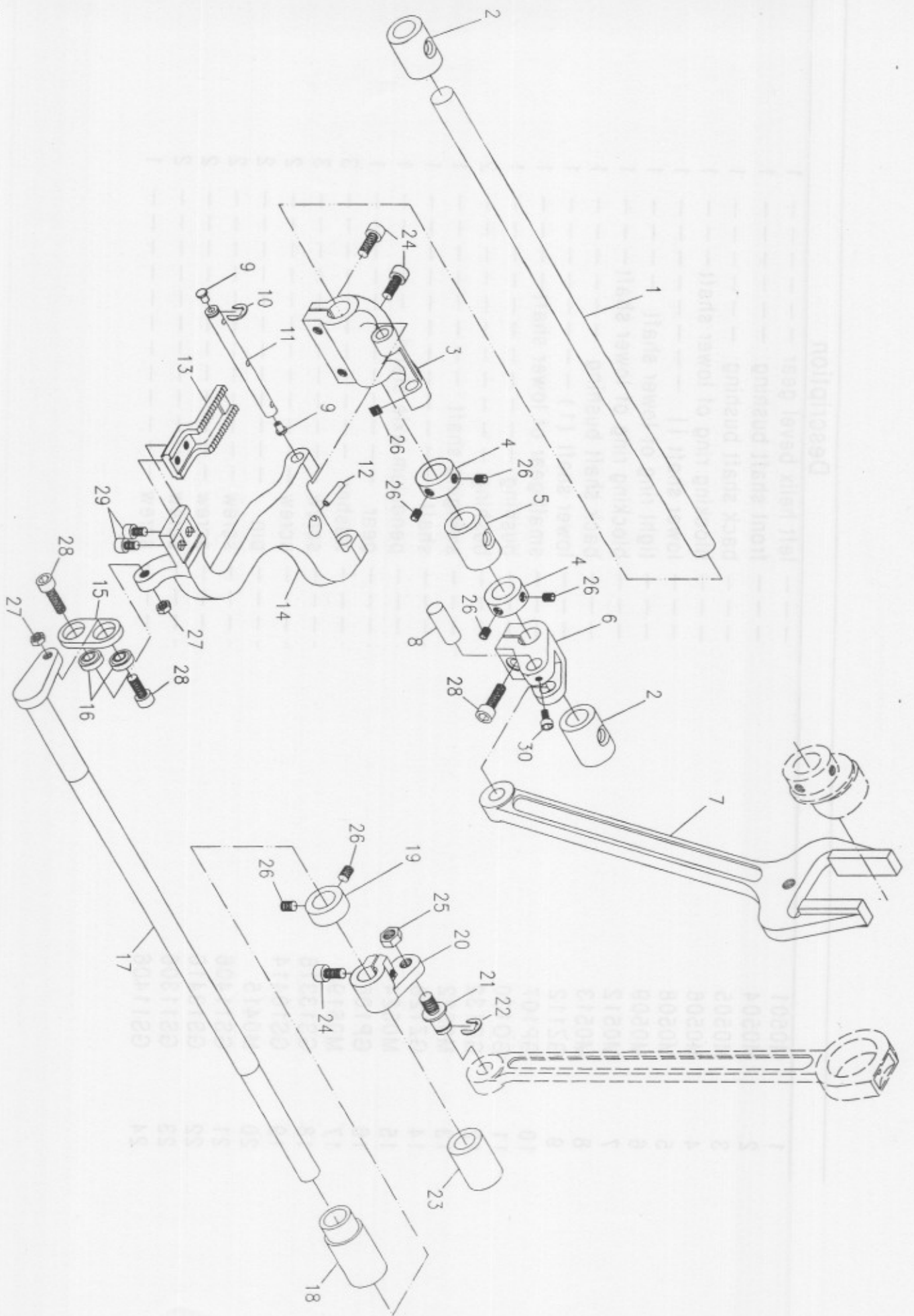
		Description	
1	F0301	--- needle bar	1
2	DY x 3	--- needle	1
3	F0305	--- rotating bar link	1
4	F0304	--- needle bar connecting shaft	1
5	F0307	--- washer	1
6	F0309	--- pendulum stand	1
7	F0314	--- pin (left)	1
8	F0313	--- pin (right)	1
9	F0310	--- shaft of pendulum stand	1
10	F0311	--- bushing	1
11	F0315	--- stand link	1
12	F0316	--- pin (1)	1
13	F0318	--- pin (2)	1
14	F0320	--- rocking bar	1
15	F0321	--- bushing	1
16	F0322	--- rocking bar shaft	1
17	F0325	--- rocking bar connecting shaft	1
18	F0326	--- nut	1
19	F0319	--- E-type	1
20	F0324	--- E-type snap spring	1
21	GS13420	--- screw	1
22	GS12316	--- screw	3
23	GS11305	--- screw	5
24	GS11406	--- screw	1
25	GS16208	--- screw	1
26	GS11205	--- screw	2

Description

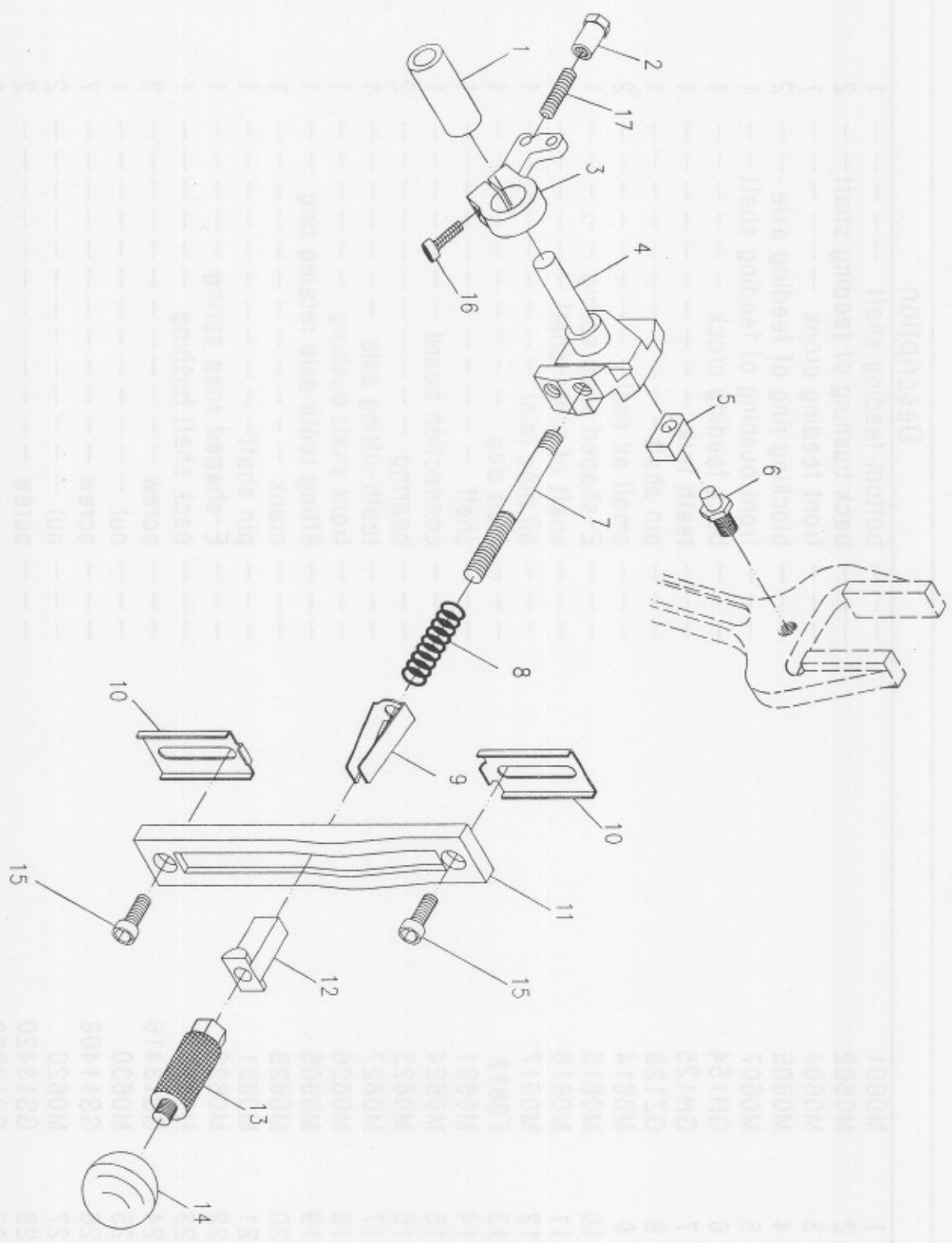


		Description					
1	F0401	---	---	bobbin bed cover	---	1	
2	GN116	---	---	bobbin	---	1	
3	GN111/9	---	---	shuttle hook	---	1	
4	M0405	---	---	shuttle support	---	1	
5	M0406	---	---	washer	---	3	0.2, 0.3, 0.5
6	M0407	---	---	washer	---	1	
7	M0408	---	---	screw	---	2	
8	F0408	---	---	bobbin bed	---	1	
9	M0410	---	---	shuttle set	---	1	
10	M0412	---	---	front shaft bushing	---	1	
11	M0413	---	---	shaft	---	1	
12	M0414	---	---	right helix bevel gear	---	1	
13	M0415	---	---	pin	---	1	
14	GX110	---	---	screw	---	2	
15	F0415	---	---	needle protecting board	---	1	
16	M0419	---	---	back shaft bushing	---	1	
17	M0420	---	---	washer	---	1	
18	M0421	---	---	bushing	---	1	
19	M0423	---	---	nut	---	1	
20	M0424	---	---	side plate	---	1	
21	GX108	---	---	pin	---	1	
22	GK241	---	---	bobbin bed press stand	---	1	
23	GX109	---	---	screw	---	1	
24	GX112	---	---	screw	---	2	
25	GW111	---	---	pressing spring	---	1	
26	GX117	---	---	screw	---	1	
27	GK243	---	---	press stand spanner	---	1	
28	GX113	---	---	screw	---	1	
29	M0437	---	---	cover	---	1	
30	GS13210	---	---	screw	---	8	
31	GL203	---	---	nut	---	1	
32	GS102	---	---	screw	---	1	
33	GS11406	---	---	screw	---	1	
34	GS11306	---	---	screw	---	2	
35	GS13216	---	---	screw	---	3	
36	GS12104	---	---	screw	---	2	
37	GS13460	---	---	screw	---	1	

		Description	
1	M0501	left helix bevel gear	1
2	M0504	front shaft bushing	1
3	M0505	back shaft bushing	1
4	M0506	blocking ring of lower shaft	1
5	M0508	lower shaft	1
6	M0509	tight ring of lower shaft	1
7	M0512	blocking ring of lower shaft	1
8	M0513	back shaft bushing	1
9	GZ112	lower shaft (1)	1
10	GP107	small gear of lower shaft	1
11	GO130	bushing	1
12	GO132	bushing	2
13	M0522	swinging shaft	1
14	GZ128	shaft	1
15	M0524	pendulum axle stand	1
16	GP106	gear	1
17	M0519	washer	3
18	GS13318	screw	3
19	GS10414	screw	2
20	M0415	pin	2
21	GS11406	screw	2
22	GS13416	screw	2
23	GS11306	screw	2
24	GS11406	screw	1



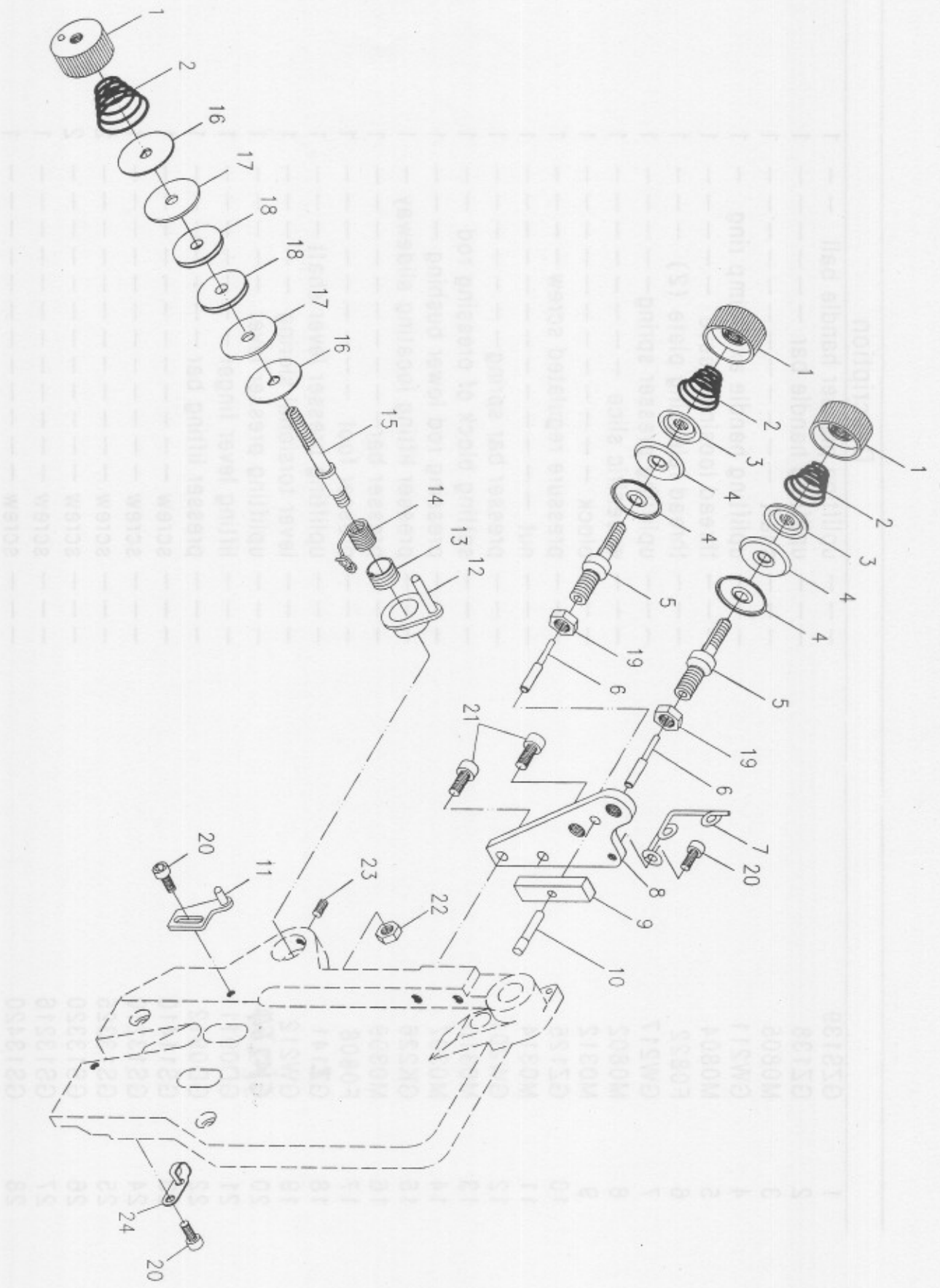
		Description	
1	M0601	--- bottom feeding shaft ---	1
2	M0602	--- back bushing of feeding shaft ---	2
3	M0604	--- front feeding cronk ---	1
4	M0605	--- blocking ring of feeding axle ---	2
5	M0607	--- front bushing of feeding shaft ---	1
6	GH154	--- back feeding crock ---	1
7	GH125	--- teeth fork ---	1
8	GZ128	--- pin shaft ---	1
9	M0614	--- small oil seal ---	2
10	M0615	--- E-shaped snap spring ---	1
11	M0616	--- shaft of tooth-shelf ---	1
12	M0617	--- oil pipe joint ---	1
13	F0618	--- feed dog ---	1
14	M0621	--- shelf ---	1
15	M0624	--- connection board ---	1
16	M0623	--- bearing ---	2
17	M0627	--- tooth-lifting axle ---	1
18	M0626	--- front shaft bushing ---	1
19	M0605	--- lifting tooth axle retaining ring ---	1
20	M0628	--- crank ---	1
21	M0631	--- pin shaft ---	1
22	M0632	--- E-shaped snap spring ---	1
23	M0625	--- back shaft bushing ---	1
24	GS13416	--- screw ---	3
25	M0630	--- nut ---	1
26	GS11406	--- screw ---	7
27	M0620	--- nut ---	2
28	GS13420	--- screw ---	2
29	GS13308	--- screw ---	2
30	GS11204	--- screw ---	1



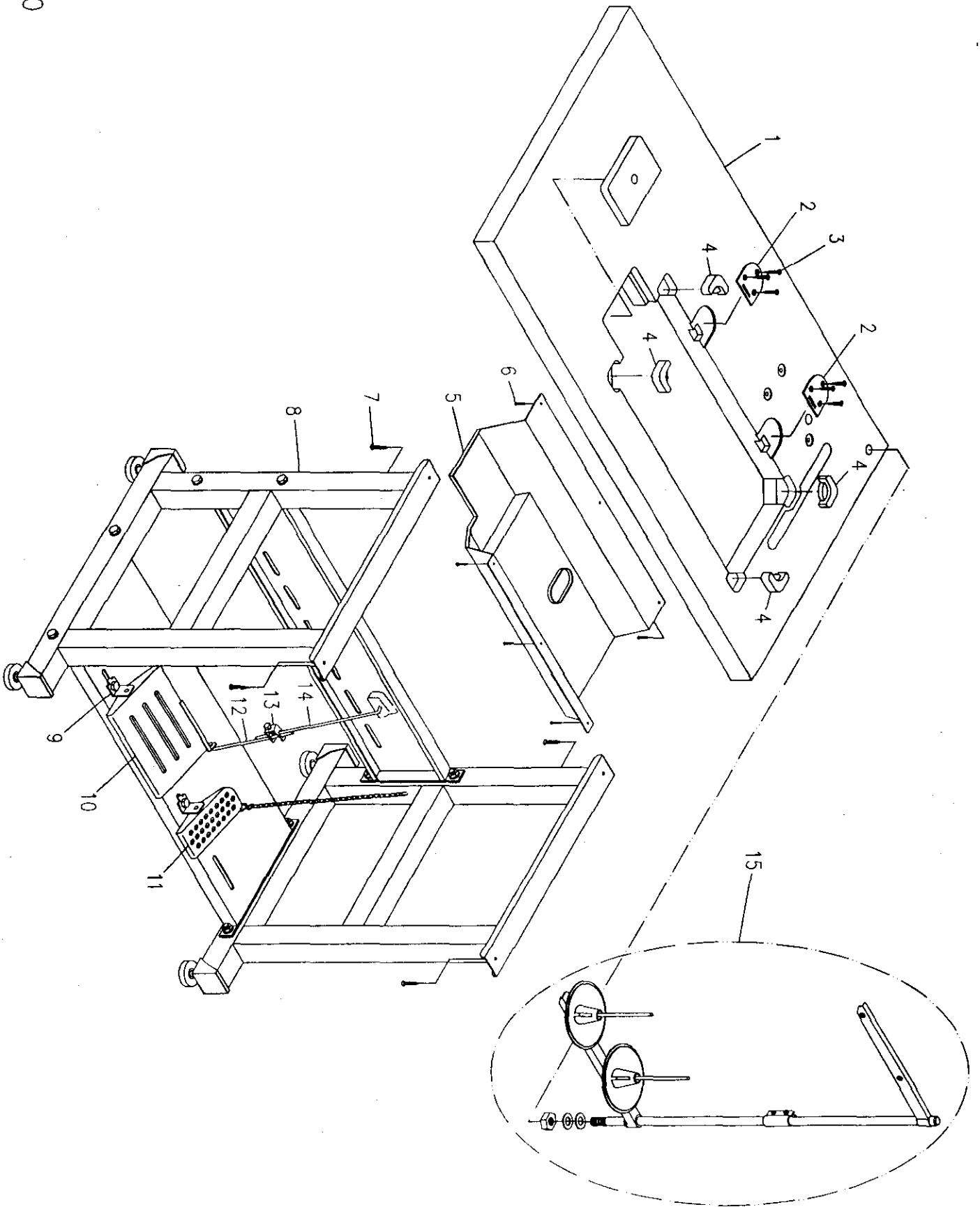
1	1000M	1
2	5080M	5
3	4090M	3
4	2090M	1
5	1090M	2
6	421HD	2
7	821HD	1
8	821SD	8
9	4190M	9
10	2190M	11
11	2190M	11
12	5190M	11
13	1390M	11
14	1390M	11
15	8500M	11
16	8500M	11
17	8500M	11

		Description	
1	G0120	--- shaft bushing	1
2	G1204	--- nut	1
3	GK249	--- stitch seat fixed stand	1
4	GK246	--- stitch support	1
5	GK245	--- sliding block	1
6	GZ129	--- screw	1
7	GZ130	--- screw	1
8	GW210	--- spring	1
9	GW209	--- stitch screw sleeve levf	1
10	GK248	--- stitch spacing board	2
11	GKS105	--- stitch cover plate	1
12	GZ131	--- stitch spacing sleeve	1
13	GZ132	--- stitch regulation screw sleeve	1
14	GKS247	--- stitch handle ball	1
15	GS13416	--- screw	2
16	GS13320	--- screw	1
17	GS11425	--- screw	1

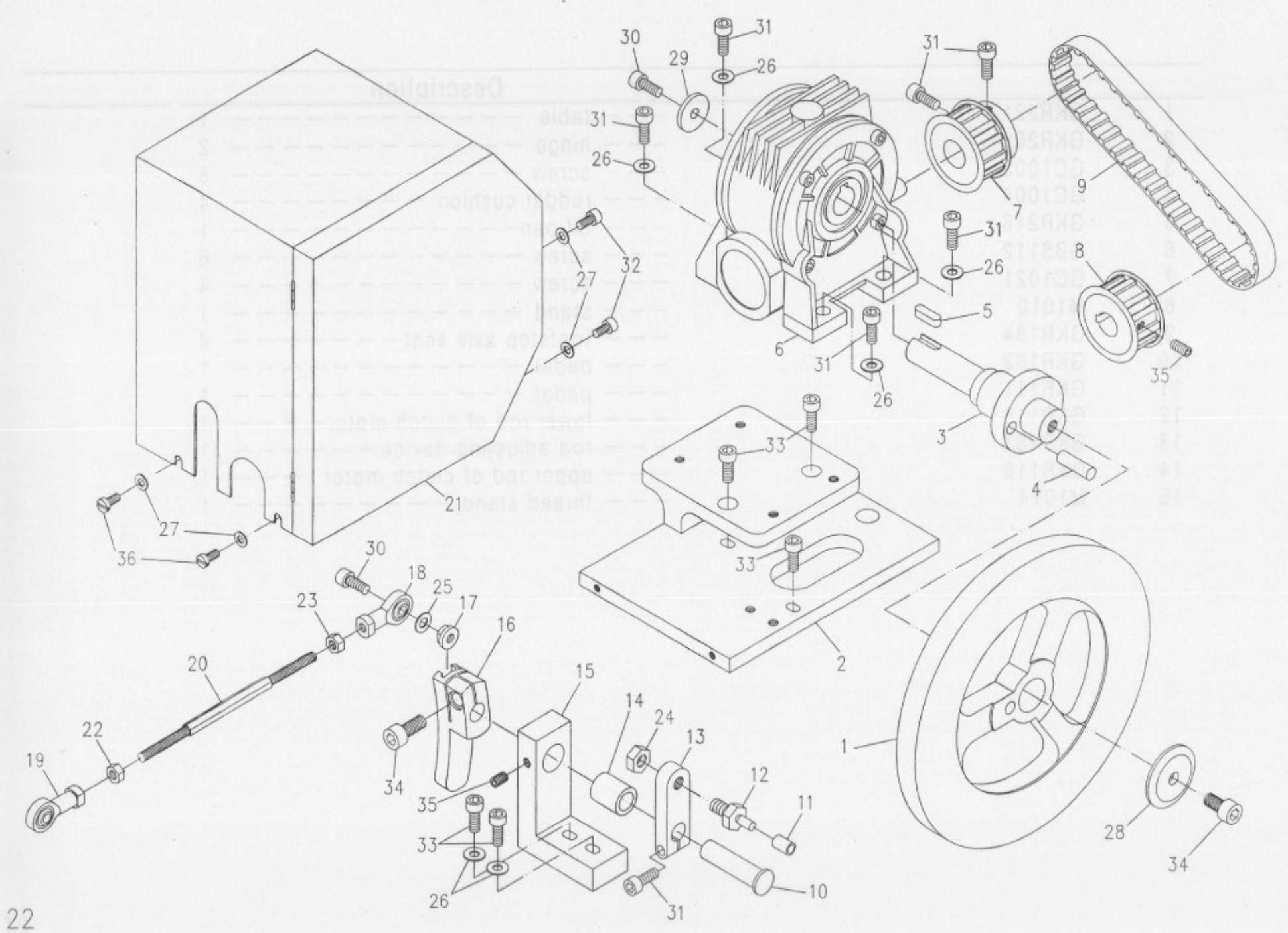
		Description	
1	GZS139	--- uplifting presser handle ball ---	1
2	GZ138	--- uplifting handle bar ---	1
3	M0805	--- shaft ---	1
4	GW211	--- uplifting handle axle jump ring ---	1
5	M0804	--- thread loosening sleeve ---	1
6	F0822	--- thread releasing plate (2) ---	1
7	GW217	--- uplifting presser spring ---	1
8	M0802	--- eccentric slice ---	1
9	M0312	--- block ---	1
10	GZ125	--- pressure regulated screw ---	1
11	M0314	--- nut ---	1
12	GW201	--- presser bar spring ---	1
13	M0310	--- setting block of pressing rod ---	1
14	M0307	--- pressing rod lower bushing ---	1
15	GK226	--- presser lifting locating slideway ---	1
16	M0309	--- presser bar ---	1
17	F0808	--- presser foot ---	1
18	GZ141	--- uplifting presser lever shaft ---	1
19	GW212	--- lever torsional spring ---	1
20	GK264	--- uplifting presser lever ---	1
21	GD0911	--- lifting lever finger ---	1
22	GD0912	--- presser lifting bar ---	1
23	GS11410	--- screw ---	1
24	GS13210	--- screw ---	1
25	GS13325	--- screw ---	2
26	GS13320	--- screw ---	2
27	GS13216	--- screw ---	1
28	GS13420	--- screw ---	1



		Description	
1	GLS204	--- tension nut ---	3
2	GW115	--- threadtension spring ---	3
3	GK232	--- thread releasing plate ---	2
4	GK231	--- tension plate ---	4
5	GZ126	--- tension screw ---	2
6	GX106	--- loosen bolt ---	2
7	M0908	--- thread passing ring ---	1
8	M0910	--- thread tension rack ---	1
9	M0911	--- thread releasing plate ---	1
10	MO912	--- pin ---	1
11	GKS108	--- drawing stand ---	1
12	GKS107	--- thread passing sead ---	1
13	GC0814	--- thread take-up soring ---	1
14	GC0818	--- thread take-up spring ---	1
15	M0925	--- tension screw ---	1
16	GK233	--- thread passing plate ---	2
17	GK234	--- washer ---	2
18	GP102	--- thread passing wheel ---	2
19	GL205	--- nut ---	2
20	GS13208	--- screw ---	2
21	GS13316	--- screw ---	2
22	M0913	--- nut ---	1
23	GS11206	--- screw ---	1
24	GC0819	--- finger ---	1



		Description	
1	GKR221	--- table	1
2	GKR200	--- hinge	2
3	GC1005	--- screw	6
4	GC1004	--- rudder cushion	4
5	GKR216	--- oil pan	1
6	GBS112	--- screw	6
7	GC1021	--- screw	4
8	M1010	--- stand	1
9	GKR184	--- footstep axle seat	4
10	GKR182	--- pedal	1
11	GKR111	--- pedal	1
12	GKR116	--- lower rod of clutch motor	1
13	GKR183	--- rod adjusting device	1
14	GKR118	--- upper rod of clutch motor	1
15	M1014	--- thread stand	1



		Description	
1	F1101	--- cam ---	3
2	F1102	--- cam bracket ---	1
3	F1106	--- shaft ---	1
4	F1107	--- pin ---	1
5	F1109	--- shaft key ---	1
6	F1108	--- speed reducer ---	1
7	F1114	--- wheel ---	1
8	F1116	--- wheel ---	1
9	F1118	--- teeth belt ---	1
10	F1134	--- shaft ---	1
11	F1133	--- roller ---	1
12	F1131	--- screw ---	1
13	F1130	--- rocker ---	1
14	F1129	--- bushing ---	1
15	F1128	--- T-bar ---	1
16	F1126	--- synchro rocker ---	1
17	F1125	--- synchro rocker slide ---	1
18	F1122	--- bear (right) ---	1
19	F1121	--- bear (left) ---	1
20	F1120	--- screw rod ---	1
21	F1119	--- hood ---	1
22	F1123	--- nut ---	1
23	F1124	--- nut ---	1
24	F1132	--- nut ---	1
25	F1127	--- washer ---	1
26	F1111	--- washer ---	6
27	F1142	--- washer ---	4
28	F1105	--- washer ---	1
29	F1113	--- washer ---	1
30	GS13416	--- screw ---	2
31	GS13420	--- screw ---	5
32	GS12412	--- screw ---	2
33	GS13425	--- screw ---	5
34	GS13520	--- screw ---	2
35	GS11406	--- screw ---	2
36	GS172	--- screw ---	2