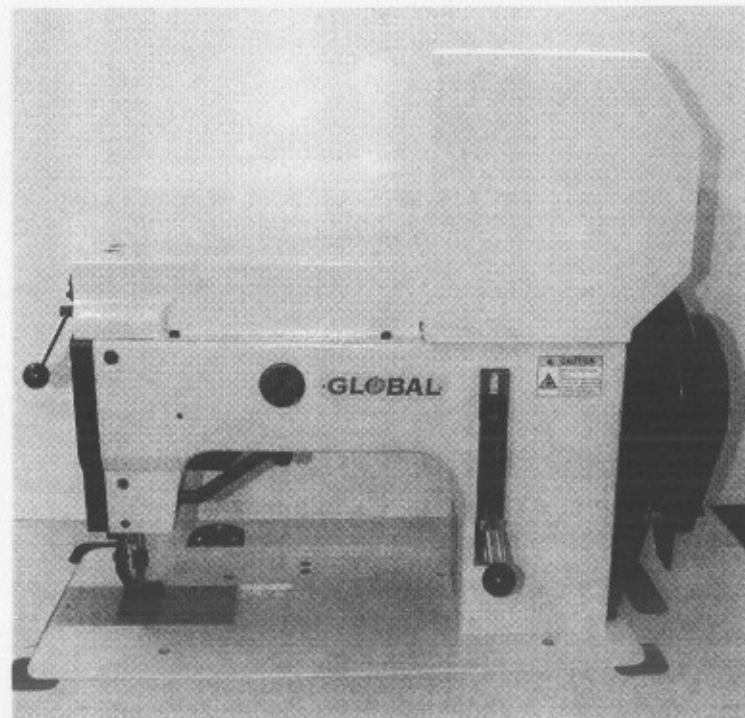
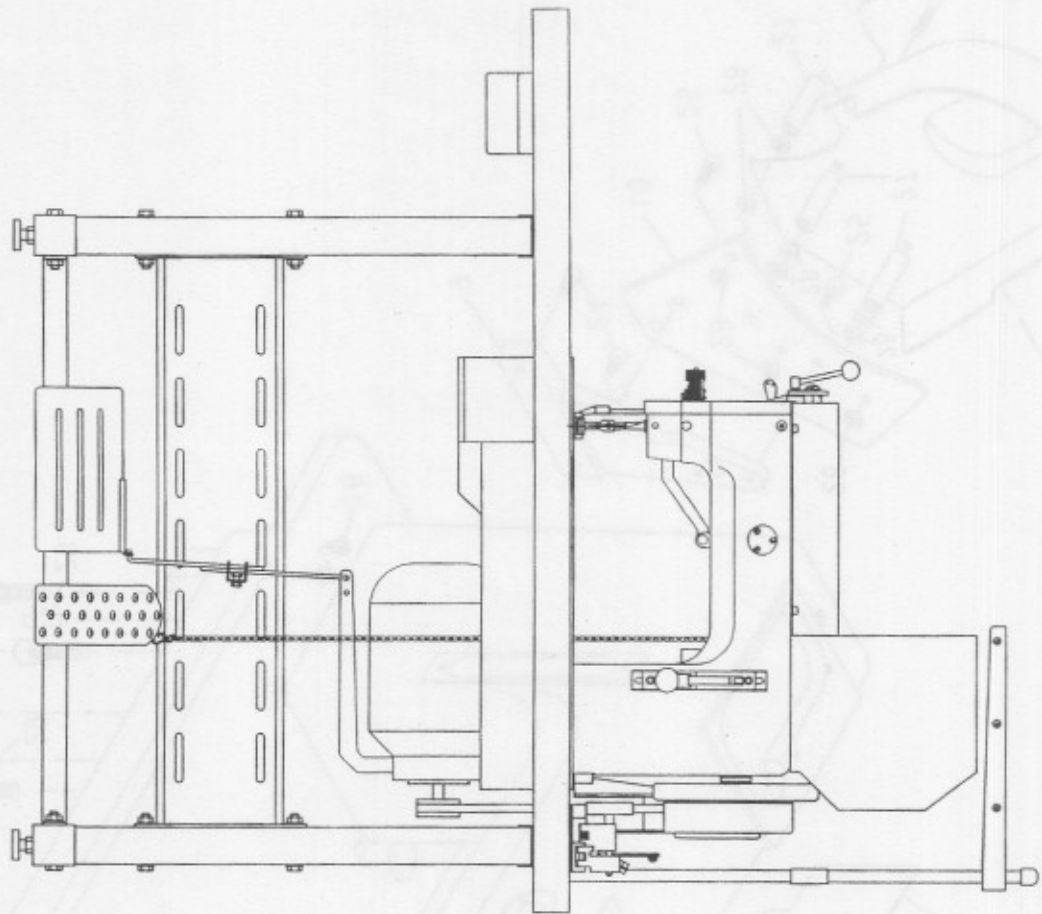


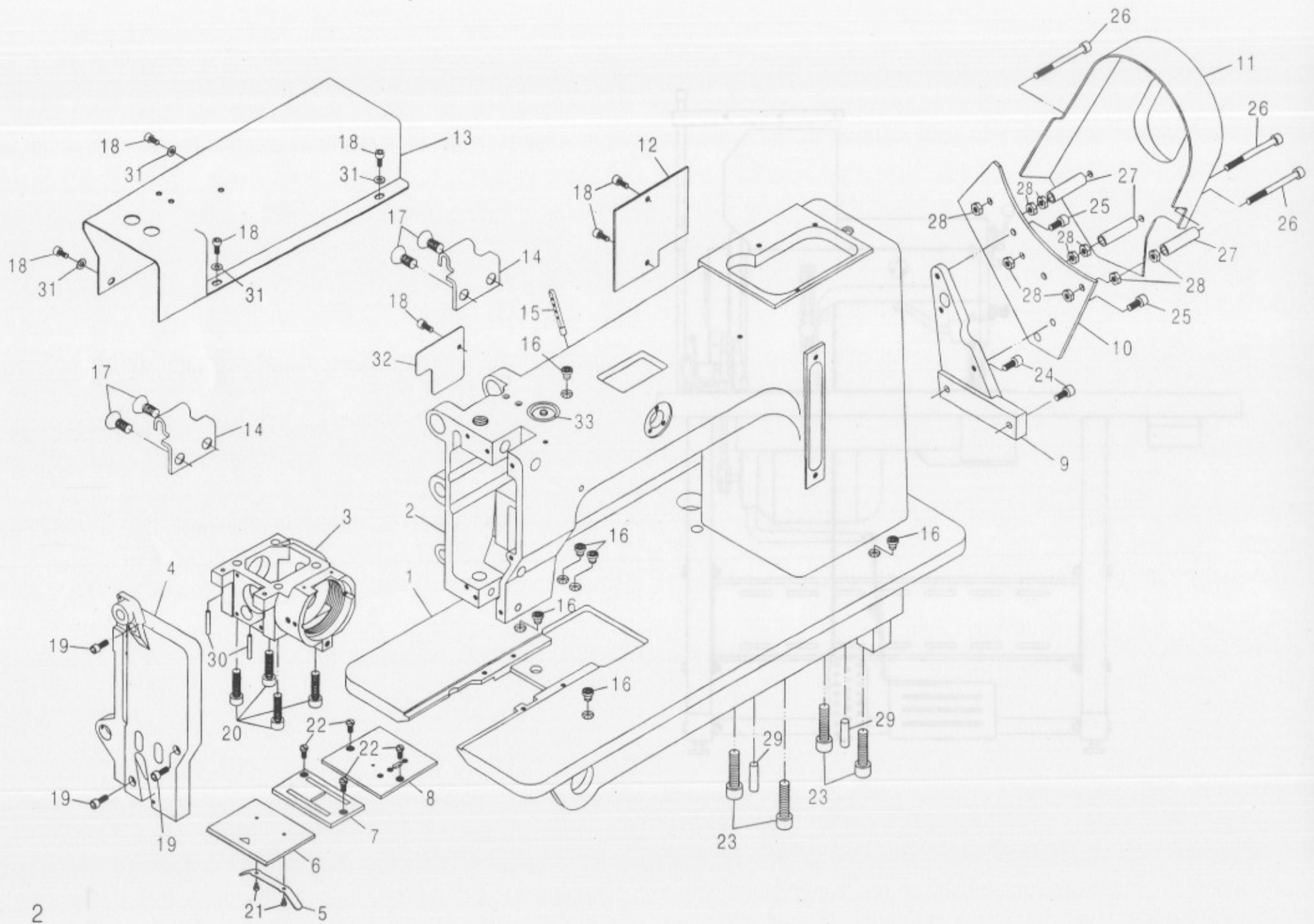
GLOBAL

ZZ 1267-3S

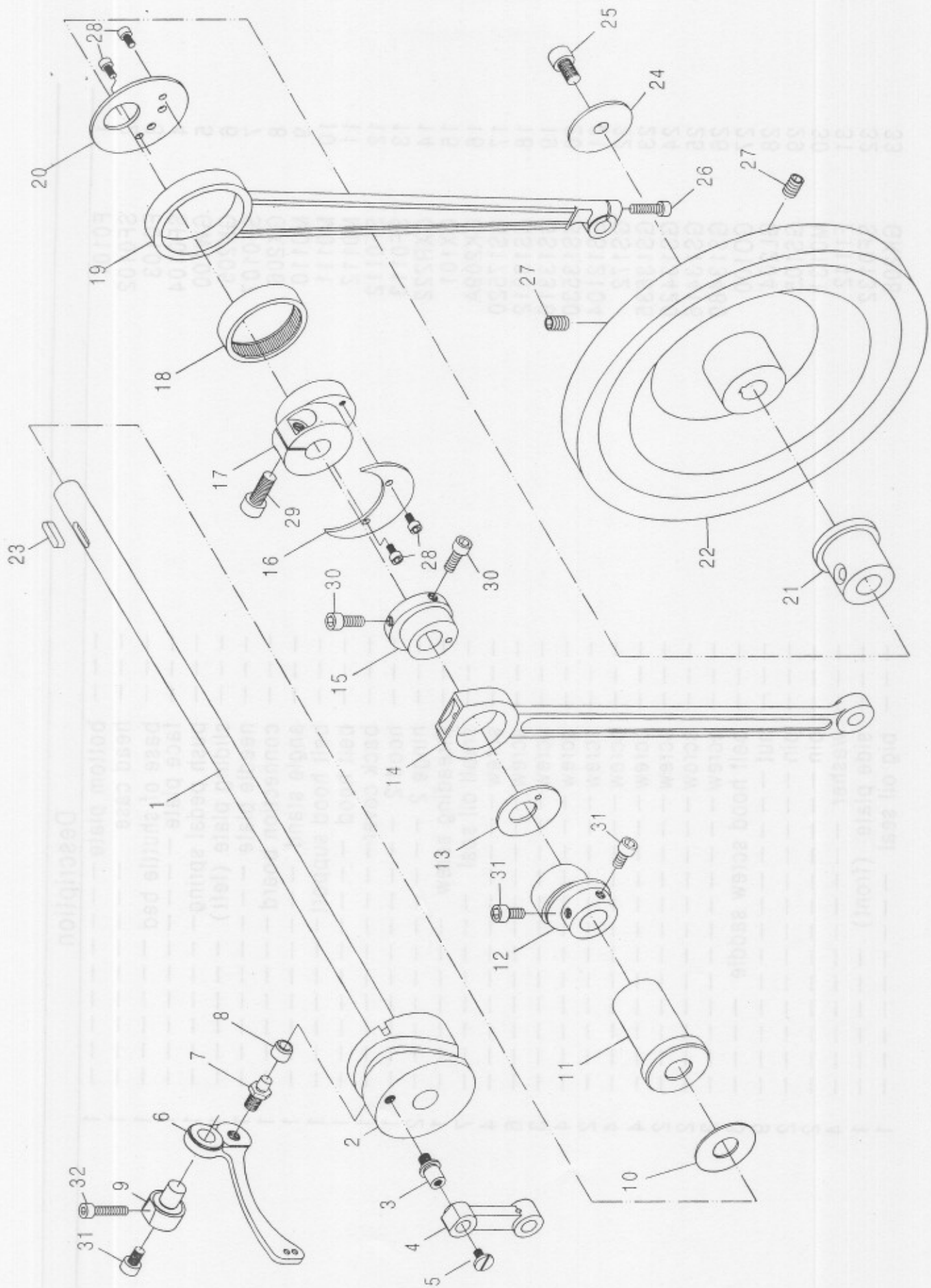
Cam controlled extra heavy duty, drop feed zig-zag sewing machine
with top feed



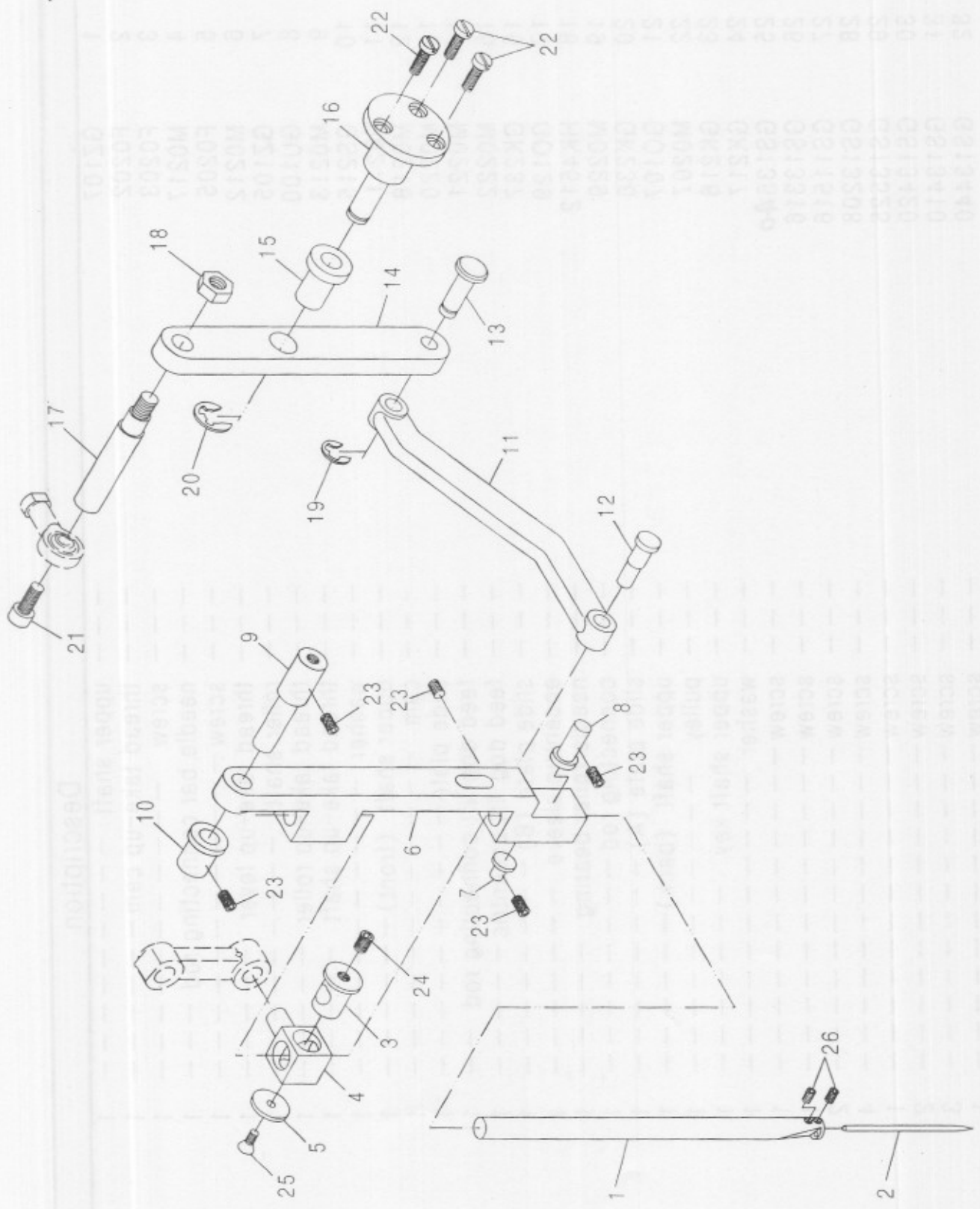




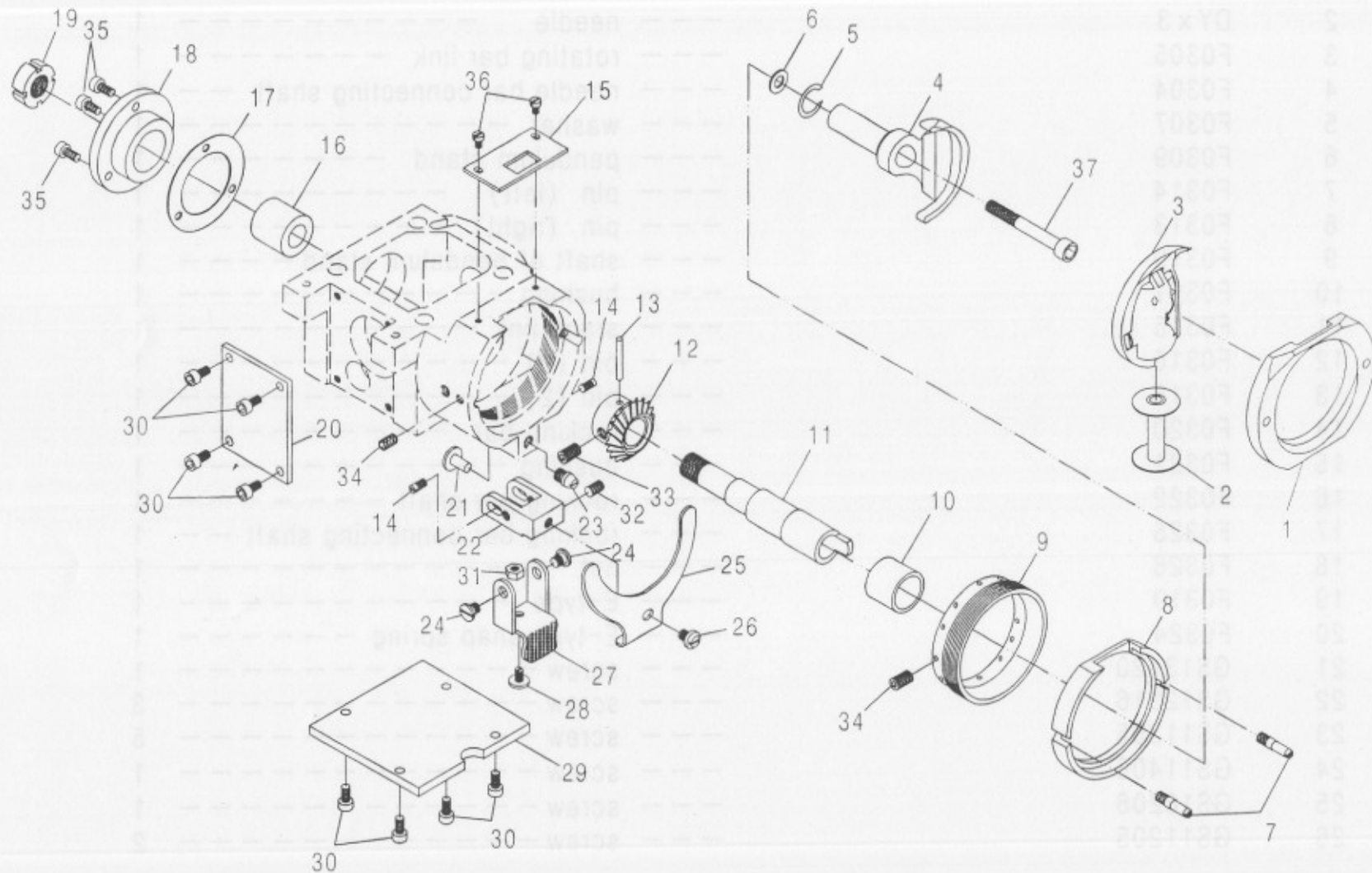
| | | Description | | |
|----|---------|-------------|------------------------|---|
| 1 | F0101 | --- | bottom plate | 1 |
| 2 | SF0102 | --- | head case | 1 |
| 3 | F0103 | --- | base of shuttle bed | 1 |
| 4 | SF0104 | --- | face plate | 1 |
| 5 | GW100 | --- | push pedal spring | 1 |
| 6 | GK205 | --- | sliding plate (left) | 1 |
| 7 | SF0107 | --- | needle plate | 1 |
| 8 | GK206 | --- | connection board | 1 |
| 9 | M0110 | --- | angle stand | 1 |
| 10 | M0111 | --- | belt hood support | 1 |
| 11 | M0112 | --- | belt hood | 1 |
| 12 | SF0112 | --- | back cover | 1 |
| 13 | SF0113 | --- | hood 2 | 1 |
| 14 | GXR222 | --- | hinge 2 | 2 |
| 15 | GX101 | --- | threading screw | 1 |
| 16 | GK209A | --- | small oil seal | 7 |
| 17 | GS17520 | --- | screw | 4 |
| 18 | GS13312 | --- | screw | 6 |
| 19 | GS13316 | --- | screw | 3 |
| 20 | GS13530 | --- | screw | 4 |
| 21 | GS12104 | --- | screw | 2 |
| 22 | GS172 | --- | screw | 4 |
| 23 | GS13635 | --- | screw | 4 |
| 24 | GS13420 | --- | screw | 2 |
| 25 | GS13416 | --- | screw | 2 |
| 26 | GS13480 | --- | screw | 3 |
| 27 | GO100 | --- | belt hood screw saddle | 3 |
| 28 | GL204 | --- | nut | 9 |
| 29 | GS105 | --- | pin | 2 |
| 30 | M0131 | --- | pin | 2 |
| 31 | F1142 | --- | washer | 4 |
| 32 | SF0132 | --- | side plate (front) | 1 |
| 33 | GK208 | --- | big oil seal | 1 |



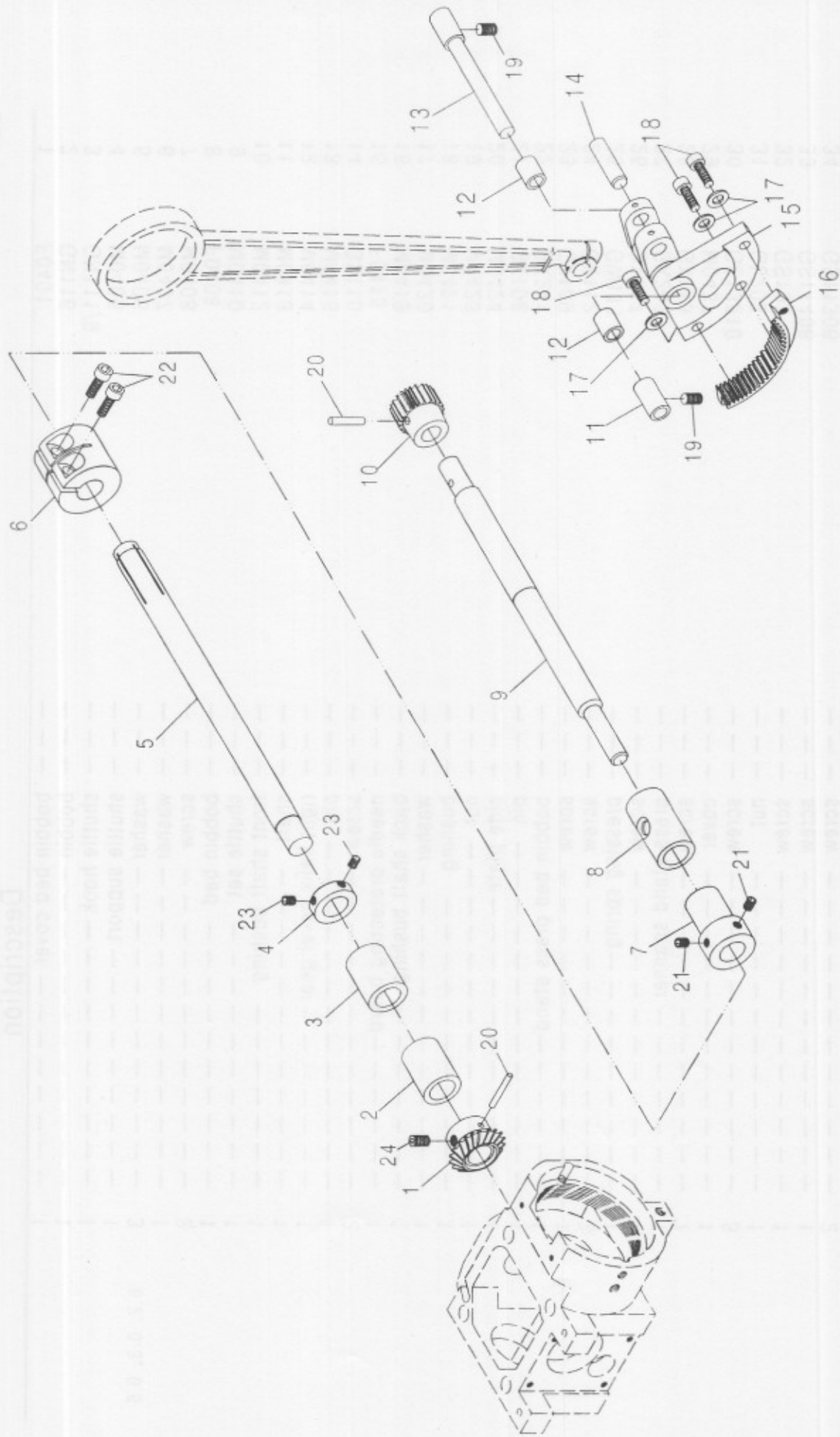
| | | Description | |
|----|---------|--------------------------------------|---|
| 1 | GZ107 | --- upper shaft --- | 1 |
| 2 | F0202 | --- thread take-up cam --- | 1 |
| 3 | F0203 | --- screw --- | 1 |
| 4 | M0217 | --- needle bar connecting rod --- | 1 |
| 5 | F0205 | --- screw --- | 1 |
| 6 | M0212 | --- thread take-up lever --- | 1 |
| 7 | GZ105 | --- roller shaft --- | 1 |
| 8 | GU100 | --- thread take-up roller --- | 1 |
| 9 | M0213 | --- thread take-up shaft --- | 1 |
| 10 | GS215 | --- washer --- | 1 |
| 11 | F0211 | --- upper shaft (front) --- | 1 |
| 12 | M0218 | --- cam --- | 1 |
| 13 | M0220 | --- slide plate --- | 1 |
| 14 | M0221 | --- feed dog lift connecting rod --- | 1 |
| 15 | M0222 | --- feed dog lift eccentric --- | 1 |
| 16 | GK237 | --- slide plate (B) --- | 1 |
| 17 | GO129 | --- eccentric sleeve --- | 1 |
| 18 | HK4512 | --- needle roller bearing --- | 1 |
| 19 | M0229 | --- connecting rod --- | 1 |
| 20 | GK236 | --- slide plate (A) --- | 1 |
| 21 | GO107 | --- upper shaft (back) --- | 1 |
| 22 | M0207 | --- pulley --- | 1 |
| 23 | GK216 | --- upper shaft key --- | 1 |
| 24 | GK217 | --- washer --- | 1 |
| 25 | GS13540 | --- screw --- | 1 |
| 26 | GS13316 | --- screw --- | 1 |
| 27 | GS11516 | --- screw --- | 2 |
| 28 | GS13208 | --- screw --- | 4 |
| 29 | GS13525 | --- screw --- | 1 |
| 30 | GS13420 | --- screw --- | 2 |
| 31 | GS13410 | --- screw --- | 3 |
| 32 | GS13440 | --- screw --- | 1 |



| | | Description | |
|----|---------|----------------------------------|---|
| 1 | F0301 | --- needle bar | 1 |
| 2 | DY x 3 | --- needle | 1 |
| 3 | F0305 | --- rotating bar link | 1 |
| 4 | F0304 | --- needle bar connecting shaft | 1 |
| 5 | F0307 | --- washer | 1 |
| 6 | F0309 | --- pendulum stand | 1 |
| 7 | F0314 | --- pin (left) | 1 |
| 8 | F0313 | --- pin (right) | 1 |
| 9 | F0310 | --- shaft of pendulum stand | 1 |
| 10 | F0311 | --- bushing | 1 |
| 11 | F0315 | --- stand link | 1 |
| 12 | F0316 | --- pin (1) | 1 |
| 13 | F0318 | --- pin (2) | 1 |
| 14 | F0320 | --- rocking bar | 1 |
| 15 | F0321 | --- bushing | 1 |
| 16 | F0322 | --- rocking bar shaft | 1 |
| 17 | F0325 | --- rocking bar connecting shaft | 1 |
| 18 | F0326 | --- nut | 1 |
| 19 | F0319 | --- E-type | 1 |
| 20 | F0324 | --- E-type snap spring | 1 |
| 21 | GS13420 | --- screw | 1 |
| 22 | GS12316 | --- screw | 3 |
| 23 | GS11305 | --- screw | 5 |
| 24 | GS11406 | --- screw | 1 |
| 25 | GS16208 | --- screw | 1 |
| 26 | GS11205 | --- screw | 2 |

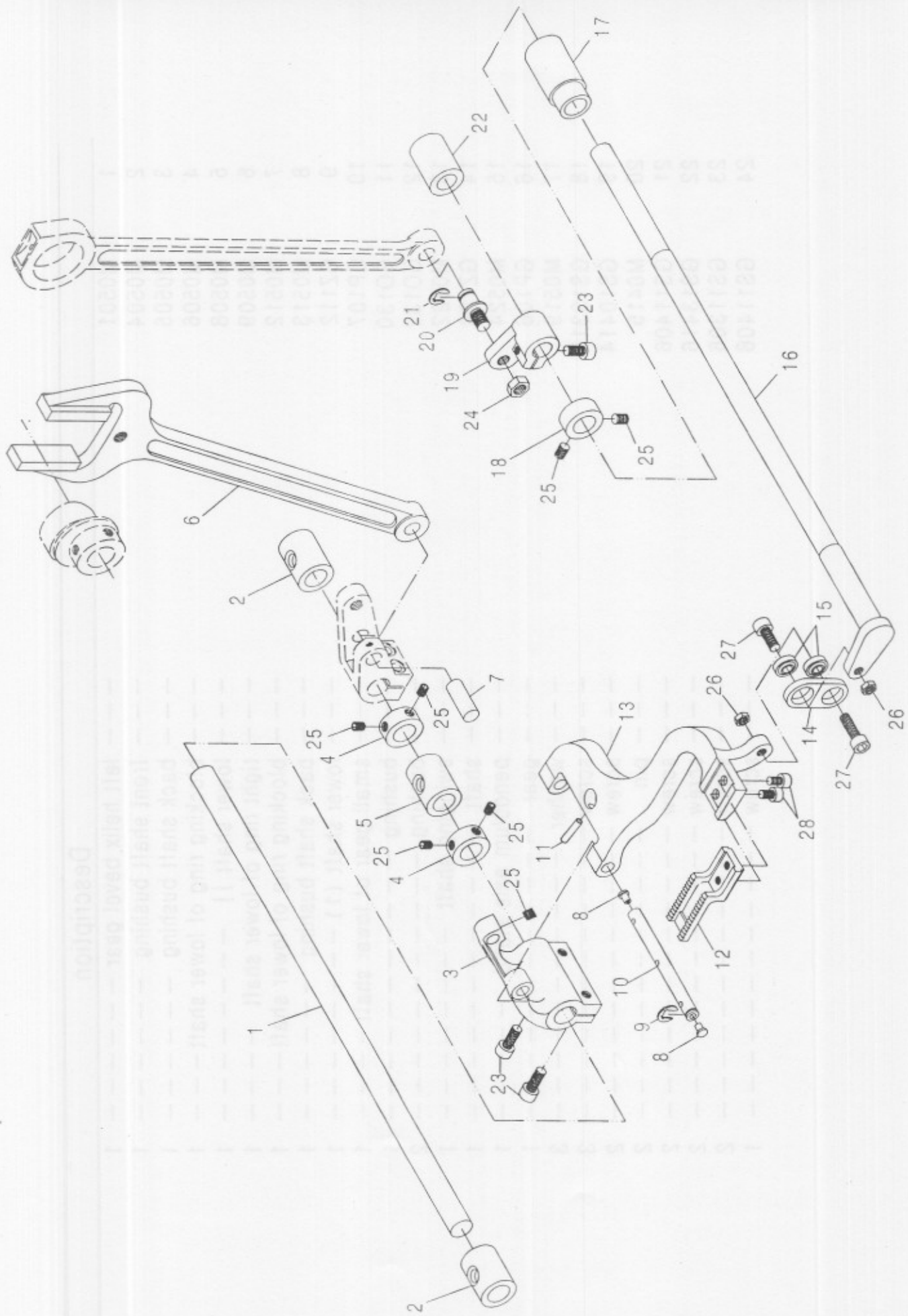


| | | Description | |
|----|---------|-------------|-------------------------------|
| 1 | F0401 | --- | bobbin bed cover --- 1 |
| 2 | GN116 | --- | bobbin --- 1 |
| 3 | GN111/9 | --- | shuttle hook --- 1 |
| 4 | M0405 | --- | shuttle support --- 1 |
| 5 | M0406 | --- | washer --- 3 0.2, 0.3, 0.5 |
| 6 | M0407 | --- | washer --- 1 |
| 7 | M0408 | --- | screw --- 2 |
| 8 | F0408 | --- | bobbin bed --- 1 |
| 9 | M0410 | --- | shuttle set --- 1 |
| 10 | M0412 | --- | front shaft bushing --- 1 |
| 11 | M0413 | --- | shaft --- 1 |
| 12 | M0414 | --- | right helix bevel gear --- 1 |
| 13 | M0415 | --- | pin --- 1 |
| 14 | GX110 | --- | screw --- 2 |
| 15 | F0415 | --- | needle protecting board --- 1 |
| 16 | M0419 | --- | back shaft bushing --- 1 |
| 17 | M0420 | --- | washer --- 1 |
| 18 | M0421 | --- | bushing --- 1 |
| 19 | M0423 | --- | nut --- 1 |
| 20 | M0424 | --- | side plate --- 1 |
| 21 | GX108 | --- | pin --- 1 |
| 22 | GK241 | --- | bobbin bed press stand --- 1 |
| 23 | GX109 | --- | screw --- 1 |
| 24 | GX112 | --- | screw --- 2 |
| 25 | GW111 | --- | pressing spring --- 1 |
| 26 | GX117 | --- | screw --- 1 |
| 27 | GK243 | --- | press stand spanner --- 1 |
| 28 | GX113 | --- | screw --- 1 |
| 29 | M0437 | --- | cover --- 1 |
| 30 | GS13210 | --- | screw --- 8 |
| 31 | GL203 | --- | nut --- 1 |
| 32 | GS102 | --- | screw --- 1 |
| 33 | GS11406 | --- | screw --- 1 |
| 34 | GS11306 | --- | screw --- 2 |
| 35 | GS13216 | --- | screw --- 3 |
| 36 | GS12104 | --- | screw --- 2 |
| 37 | GS13460 | --- | screw --- 1 |

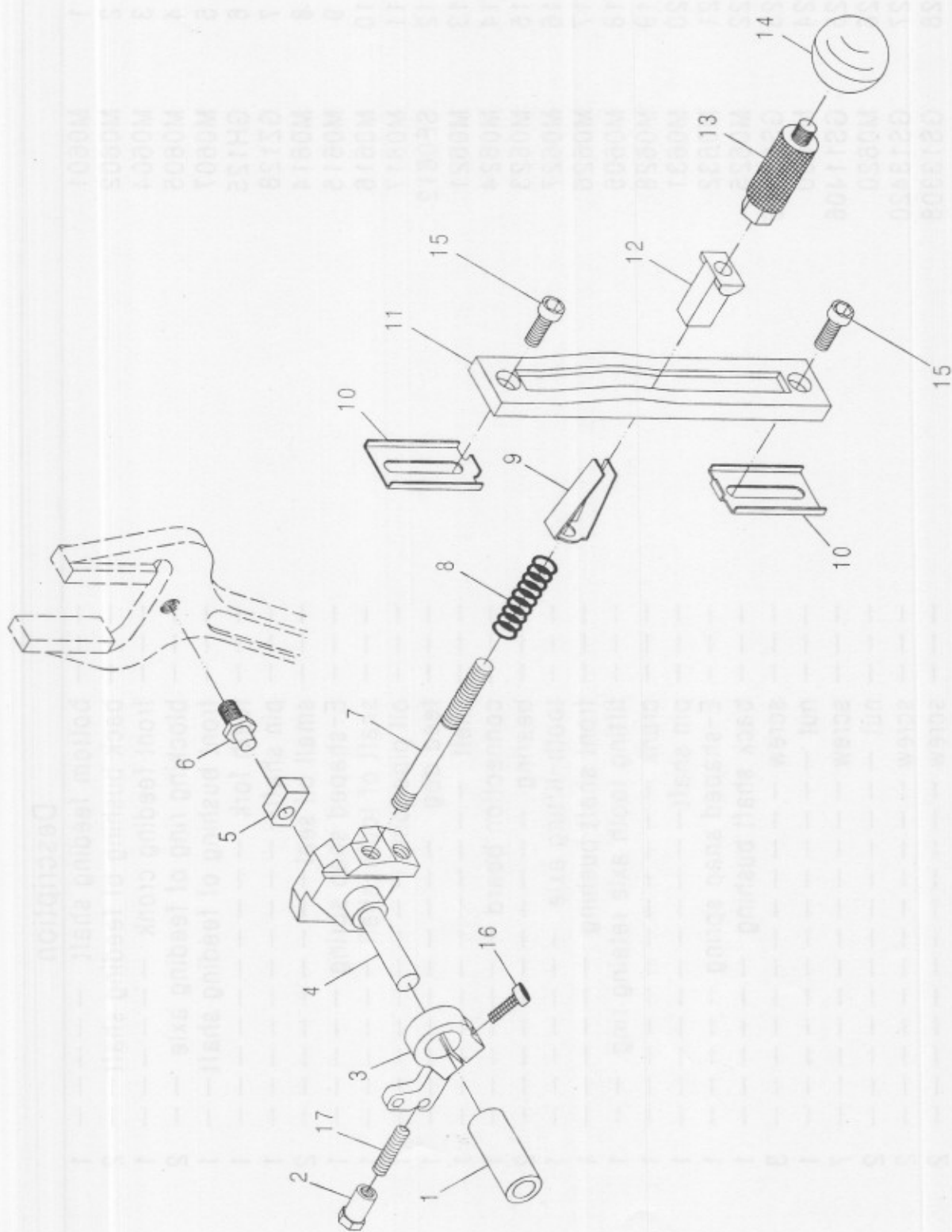


Description

| | | Description | |
|----|---------|--------------------------------------|---|
| 1 | M0501 | --- left helix bevel gear --- | 1 |
| 2 | M0504 | --- front shaft bushing --- | 1 |
| 3 | M0505 | --- back shaft bushing --- | 1 |
| 4 | M0506 | --- blocking ring of lower shaft --- | 1 |
| 5 | M0508 | --- lower shaft II --- | 1 |
| 6 | M0509 | --- tight ring of lower shaft --- | 1 |
| 7 | M0512 | --- blocking ring of lower shaft --- | 1 |
| 8 | M0513 | --- back shaft bushing --- | 1 |
| 9 | GZ112 | --- lower shaft (1) --- | 1 |
| 10 | GP107 | --- small gear of lower shaft --- | 1 |
| 11 | GO130 | --- bushing --- | 1 |
| 12 | GO132 | --- bushing --- | 2 |
| 13 | M0522 | --- swinging shaft --- | 1 |
| 14 | GZ128 | --- shaft --- | 1 |
| 15 | M0524 | --- pendulum axle stand --- | 1 |
| 16 | GP106 | --- gear --- | 1 |
| 17 | M0519 | --- washer --- | 3 |
| 18 | GS13318 | --- screw --- | 3 |
| 19 | GS10414 | --- screw --- | 2 |
| 20 | M0415 | --- pin --- | 2 |
| 21 | GS11406 | --- screw --- | 2 |
| 22 | GS13416 | --- screw --- | 2 |
| 23 | GS11306 | --- screw --- | 2 |
| 24 | GS11406 | --- screw --- | 1 |



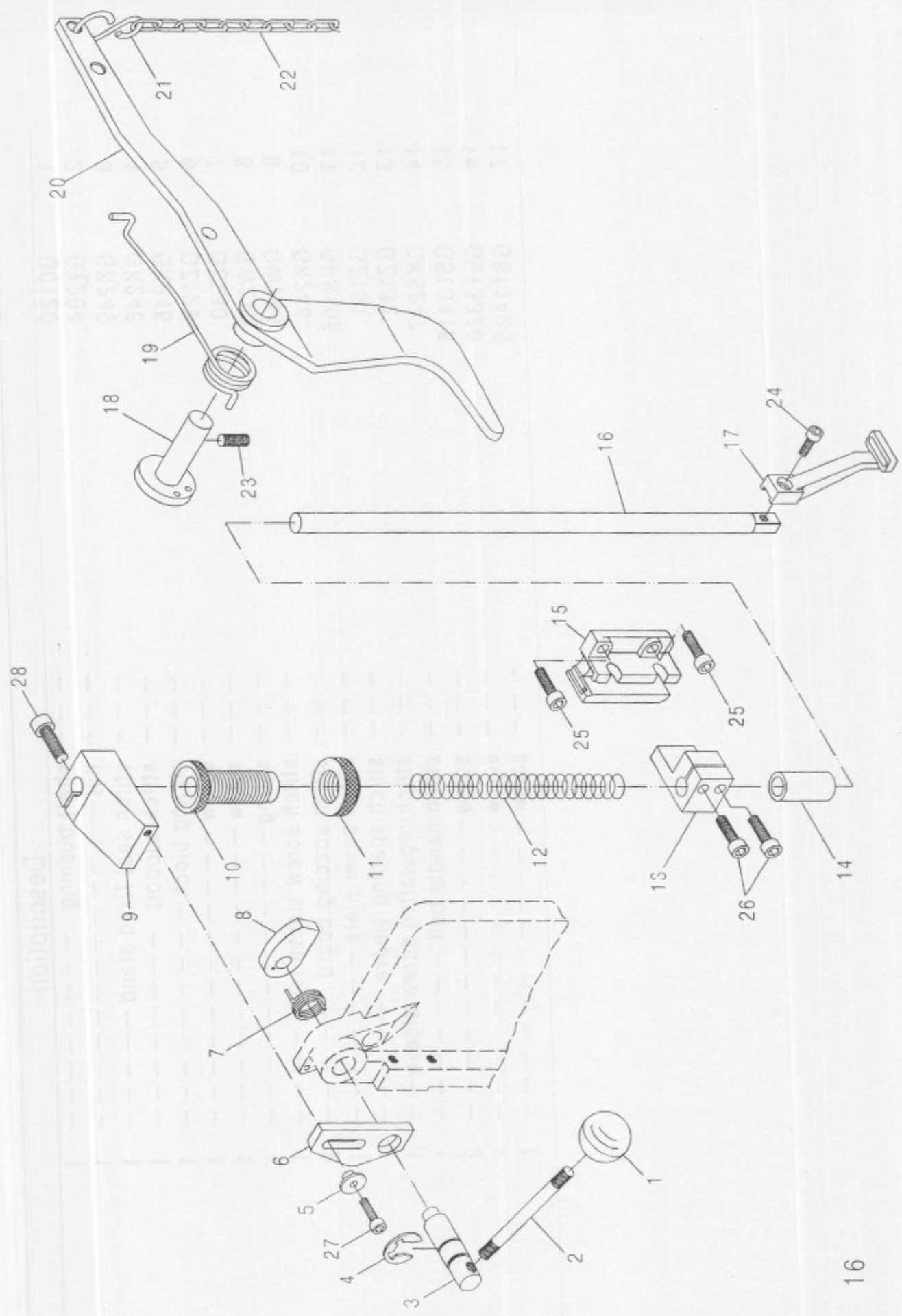
| | | Description | |
|----|---------|---|---|
| 1 | M0601 | --- bottom feeding shaft --- | 1 |
| 2 | M0602 | --- back bushing of feeding shaft --- | 2 |
| 3 | M0604 | --- front feeding cronk --- | 1 |
| 4 | M0605 | --- blocking ring of feeding axle --- | 2 |
| 5 | M0607 | --- front bushing of feeding shaft --- | 1 |
| 6 | GH125 | --- teeth fork --- | 1 |
| 7 | GZ128 | --- pin shaft --- | 1 |
| 8 | M0614 | --- small oil seal --- | 2 |
| 9 | M0615 | --- E-shaped snap spring --- | 1 |
| 10 | M0616 | --- shaft of tooth-shelf --- | 1 |
| 11 | M0617 | --- oil pipe joint --- | 1 |
| 12 | SF0612 | --- feed dog --- | 1 |
| 13 | M0621 | --- shelf --- | 1 |
| 14 | M0624 | --- connection board --- | 1 |
| 15 | M0623 | --- bearing --- | 2 |
| 16 | M0627 | --- tooth-lifting axle --- | 1 |
| 17 | M0626 | --- front shaft bushing --- | 1 |
| 18 | M0605 | --- lifting tooth axle retaining ring --- | 1 |
| 19 | M0628 | --- crank --- | 1 |
| 20 | M0631 | --- pin shaft --- | 1 |
| 21 | M0632 | --- E-shaped snap spring --- | 1 |
| 22 | M0625 | --- back shaft bushing --- | 1 |
| 23 | GS13416 | --- screw --- | 3 |
| 24 | M0630 | --- nut --- | 1 |
| 25 | GS11406 | --- screw --- | 7 |
| 26 | M0620 | --- nut --- | 2 |
| 27 | GS13420 | --- screw --- | 2 |
| 28 | GS13308 | --- screw --- | 2 |



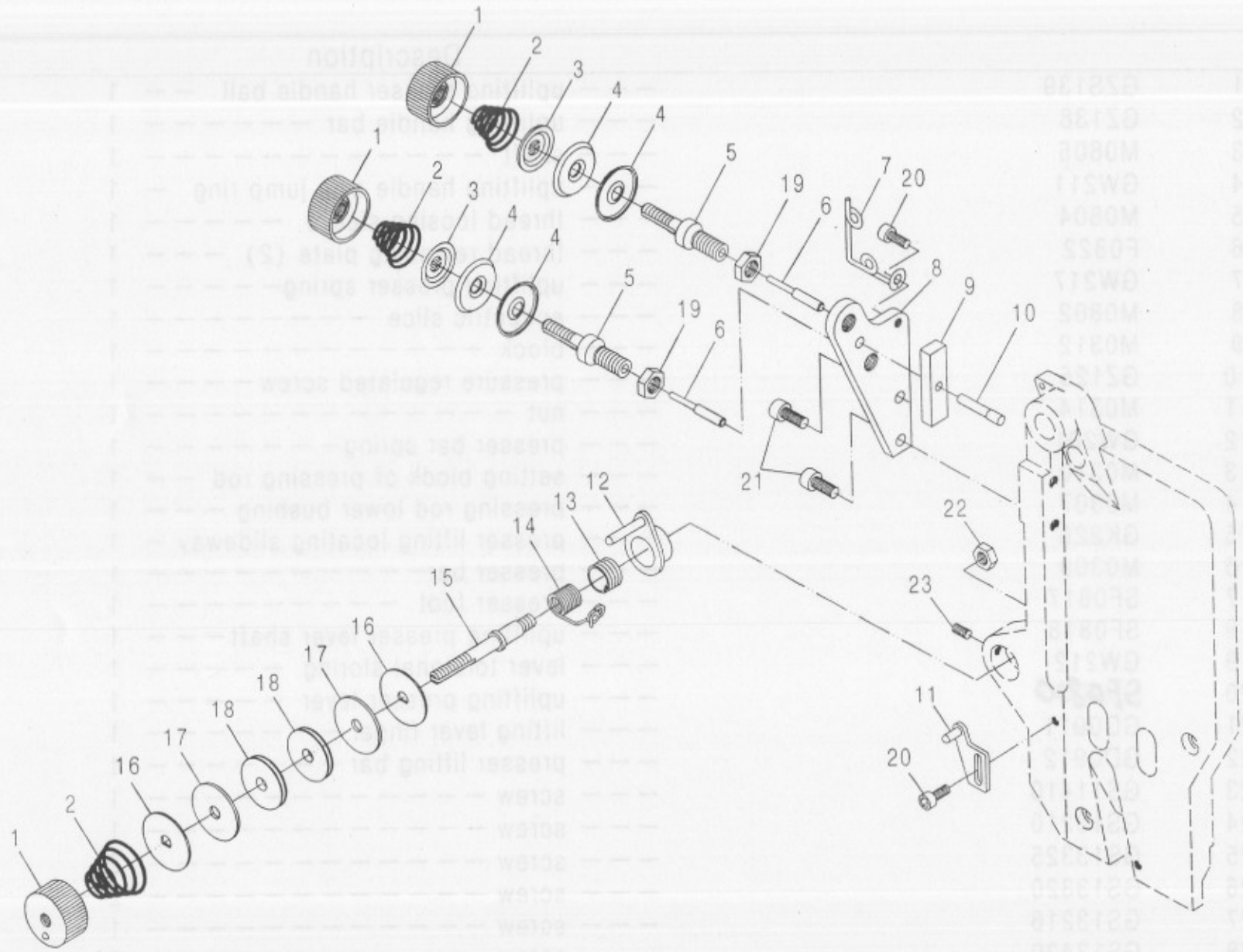
Description

| | | |
|----|-------|---|
| 1 | 1090M | 1 |
| 2 | 5080M | 5 |
| 3 | 1090M | 3 |
| 4 | 2080M | 4 |
| 5 | 1090M | 2 |
| 6 | 5080M | 2 |
| 7 | 1090M | 1 |
| 8 | 1090M | 1 |
| 9 | 1090M | 1 |
| 10 | 1090M | 2 |
| 11 | 1090M | 1 |
| 12 | 1090M | 1 |
| 13 | 1090M | 1 |
| 14 | 1090M | 1 |
| 15 | 1090M | 2 |
| 16 | 1090M | 1 |
| 17 | 1090M | 1 |

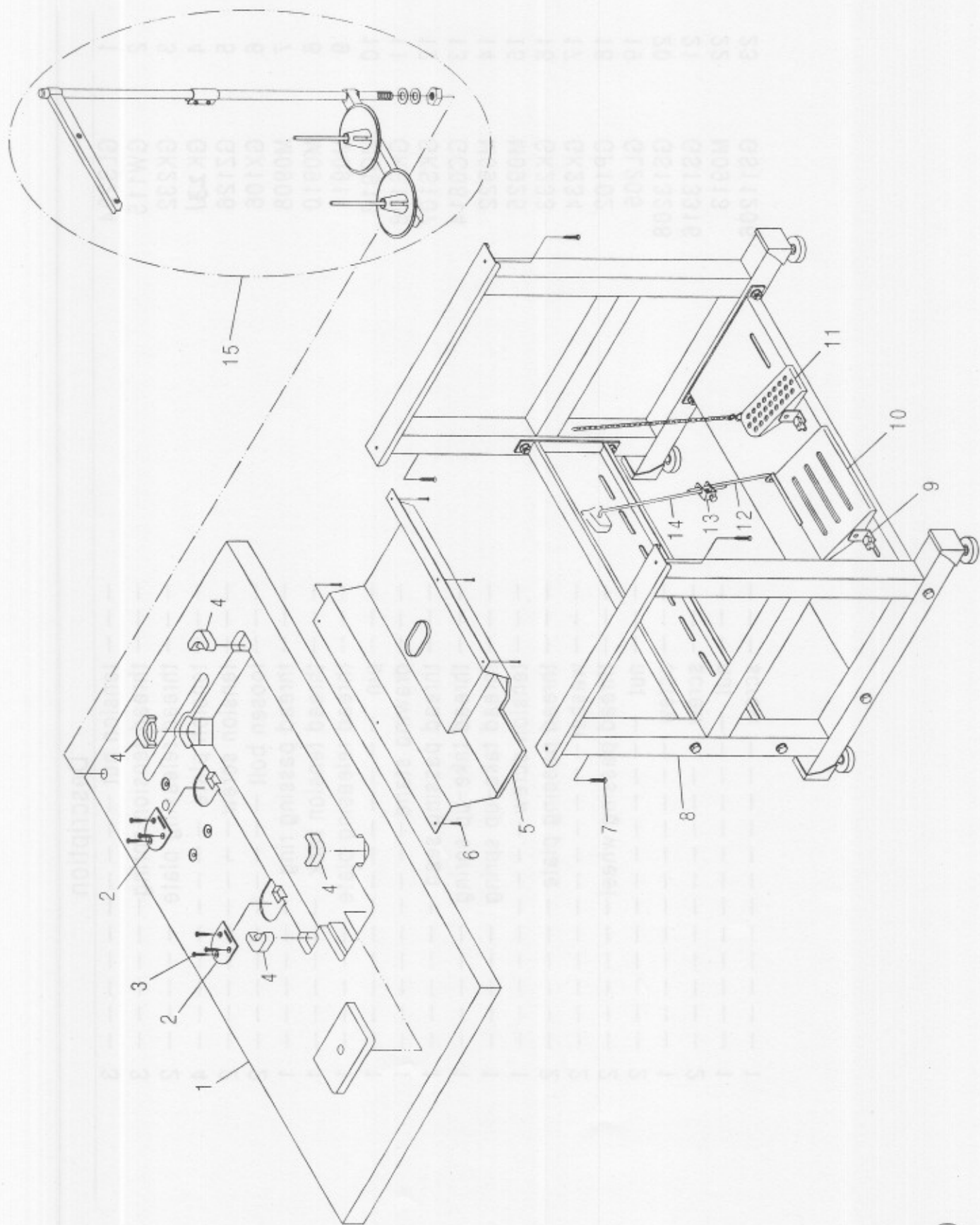
| | | Description | |
|----|---------|--|---|
| 1 | G0120 | — — — shaft bushing — — — — — | 1 |
| 2 | GL204 | — — — nut — — — — — | 1 |
| 3 | GK249 | — — — stitch seat fixed stand — — — — — | 1 |
| 4 | GK246 | — — — stitch support — — — — — | 1 |
| 5 | GK245 | — — — sliding block — — — — — | 1 |
| 6 | GZ129 | — — — screw — — — — — | 1 |
| 7 | GZ130 | — — — screw — — — — — | 1 |
| 8 | GW210 | — — — spring — — — — — | 1 |
| 9 | GW209 | — — — stitch screw sleeve levf — — — — — | 1 |
| 10 | GK248 | — — — stitch spacing board — — — — — | 2 |
| 11 | GKS105 | — — — stitch cover plate — — — — — | 1 |
| 12 | GZ131 | — — — stitch spacing sleeve — — — — — | 1 |
| 13 | GZ132 | — — — stitch regulation screw sleeve — — — — — | 1 |
| 14 | GKS247 | — — — stitch handle ball — — — — — | 1 |
| 15 | GS13416 | — — — screw — — — — — | 2 |
| 16 | GS13320 | — — — screw — — — — — | 1 |
| 17 | GS11425 | — — — screw — — — — — | 1 |



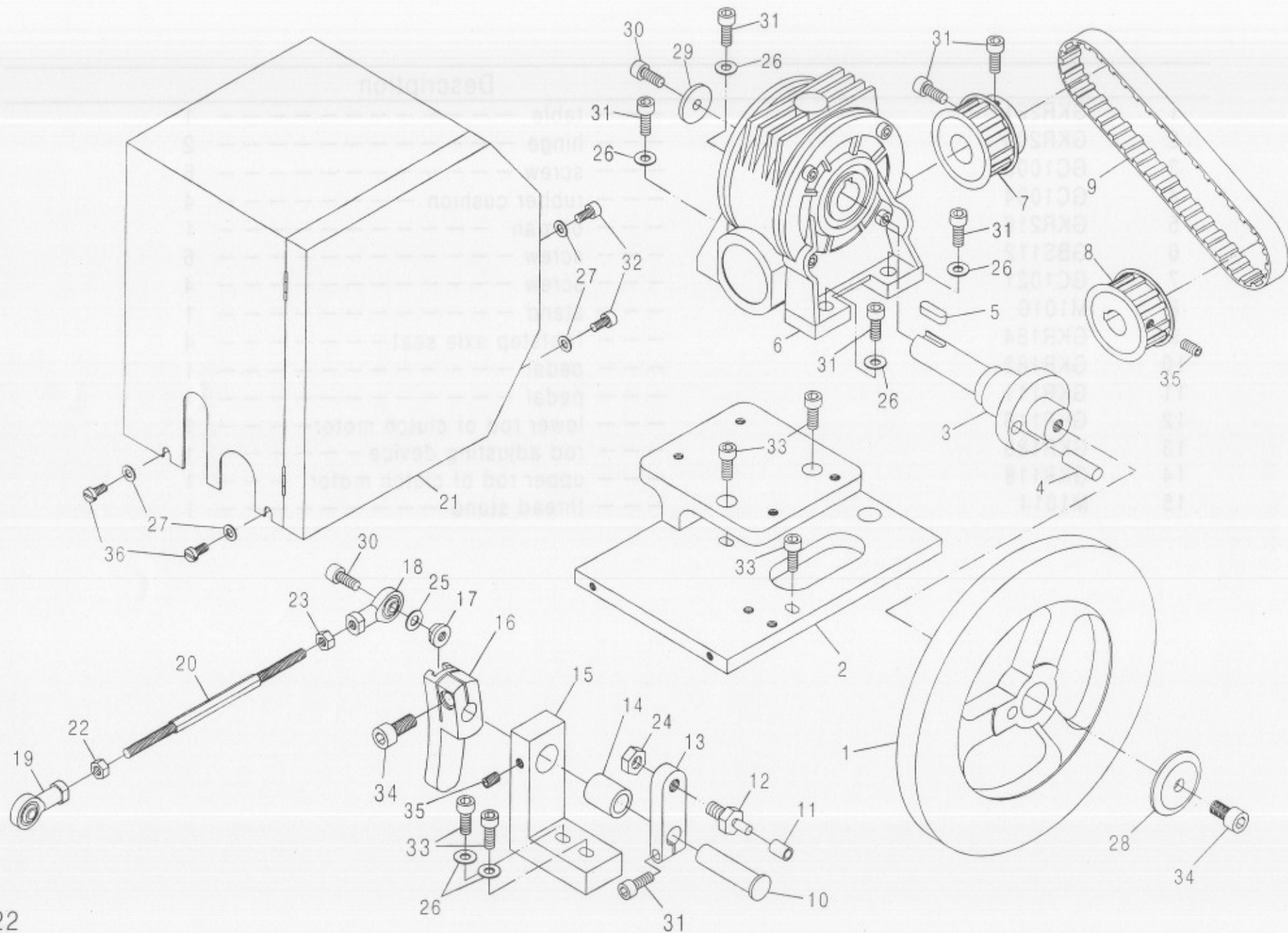
| | | Description | |
|----|---------------|---|---|
| 1 | GZS139 | --- uplifting presser handle ball --- | 1 |
| 2 | GZ138 | --- uplifting handle bar --- | 1 |
| 3 | M0805 | --- shaft --- | 1 |
| 4 | GW211 | --- uplifting handle axle jump ring --- | 1 |
| 5 | M0804 | --- thread loosing sleeve --- | 1 |
| 6 | F0822 | --- thread releasing plate (2) --- | 1 |
| 7 | GW217 | --- uplifting presser spring --- | 1 |
| 8 | M0802 | --- eccentric slice --- | 1 |
| 9 | M0312 | --- block --- | 1 |
| 10 | GZ125 | --- pressure regulated screw --- | 1 |
| 11 | M0314 | --- nut --- | 1 |
| 12 | GW201 | --- presser bar spring --- | 1 |
| 13 | M0310 | --- setting block of pressing rod --- | 1 |
| 14 | M0307 | --- pressing rod lower bushing --- | 1 |
| 15 | GK226 | --- presser lifting locating slideway --- | 1 |
| 16 | M0309 | --- presser bar --- | 1 |
| 17 | SF0817 | --- presser foot --- | 1 |
| 18 | SF0818 | --- uplifting presser lever shaft --- | 1 |
| 19 | GW212 | --- lever torsional sloring --- | 1 |
| 20 | SF0820 | --- uplifting presser lever --- | 1 |
| 21 | GD0911 | --- lifting lever finger --- | 1 |
| 22 | GD0912 | --- presser lifting bar --- | 1 |
| 23 | GS11410 | --- screw --- | 1 |
| 24 | GS13210 | --- screw --- | 1 |
| 25 | GS13325 | --- screw --- | 2 |
| 26 | GS13320 | --- screw --- | 2 |
| 27 | GS13216 | --- screw --- | 1 |
| 28 | GS13420 | --- screw --- | 1 |



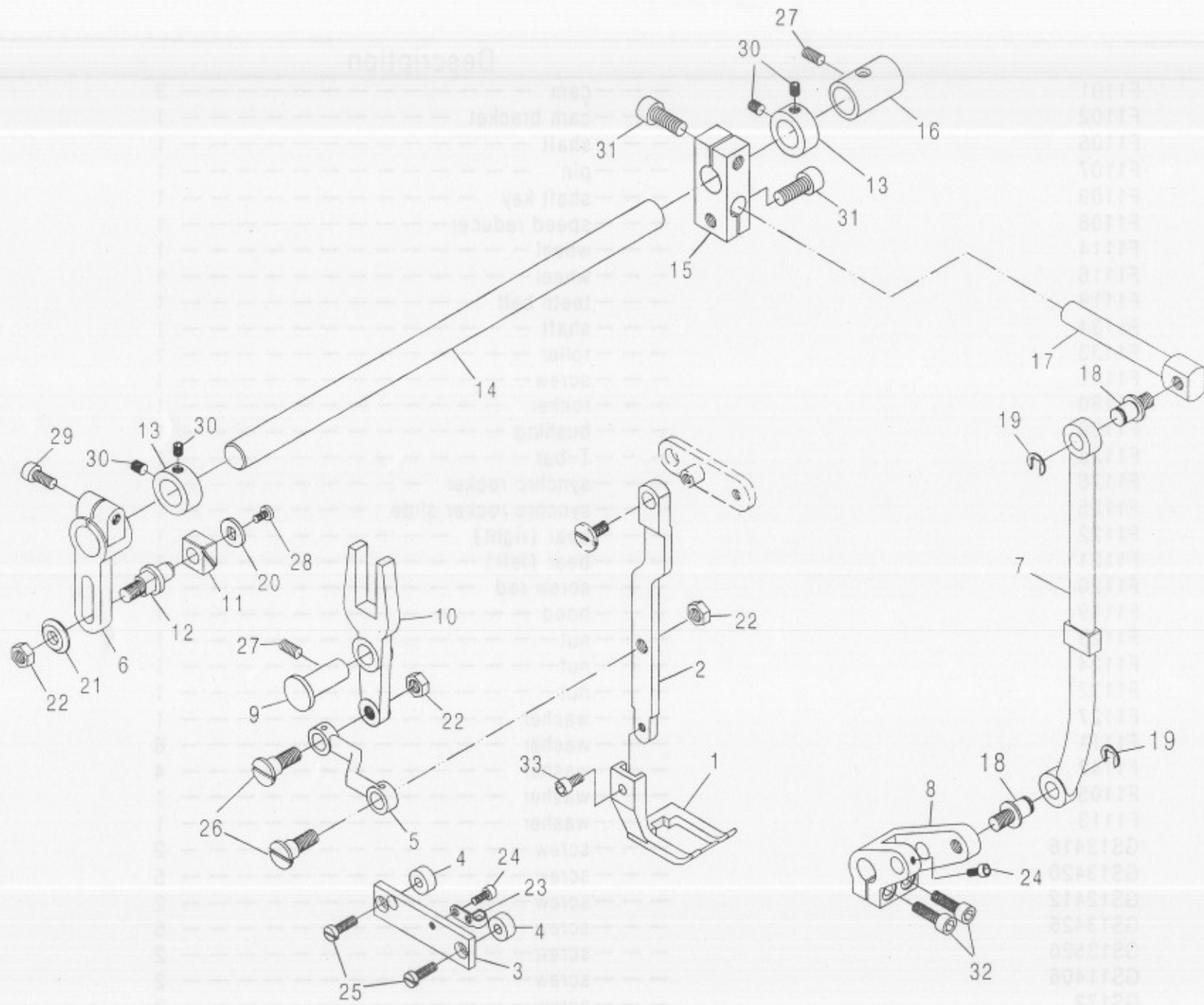
| | | Description | |
|----|---------|----------------------------|---|
| 1 | GLS204 | --- tension nut | 3 |
| 2 | GW115 | --- thread tension spring | 3 |
| 3 | GK232 | --- thread releasing plate | 2 |
| 4 | GK231 | --- tension plate | 4 |
| 5 | GZ126 | --- tension screw | 2 |
| 6 | GX106 | --- loosen bolt | 2 |
| 7 | M0908 | --- thread passing ring | 1 |
| 8 | M0910 | --- thread tension rack | 1 |
| 9 | M0911 | --- thread releasing plate | 1 |
| 10 | M0912 | --- pin | 1 |
| 11 | GKS108 | --- drawing stand | 1 |
| 12 | GKS107 | --- thread passing sead | 1 |
| 13 | GC0814 | --- thread take-up soring | 1 |
| 14 | M0922 | --- thread take-up spring | 1 |
| 15 | M0925 | --- tension screw | 1 |
| 16 | GK233 | --- thread passing plate | 2 |
| 17 | GK234 | --- washer | 2 |
| 18 | GP102 | --- thread passing wheel | 2 |
| 19 | GL205 | --- nut | 2 |
| 20 | GS13208 | --- screw | 1 |
| 21 | GS13316 | --- screw | 2 |
| 22 | M0913 | --- nut | 1 |
| 23 | GS11206 | --- screw | 1 |



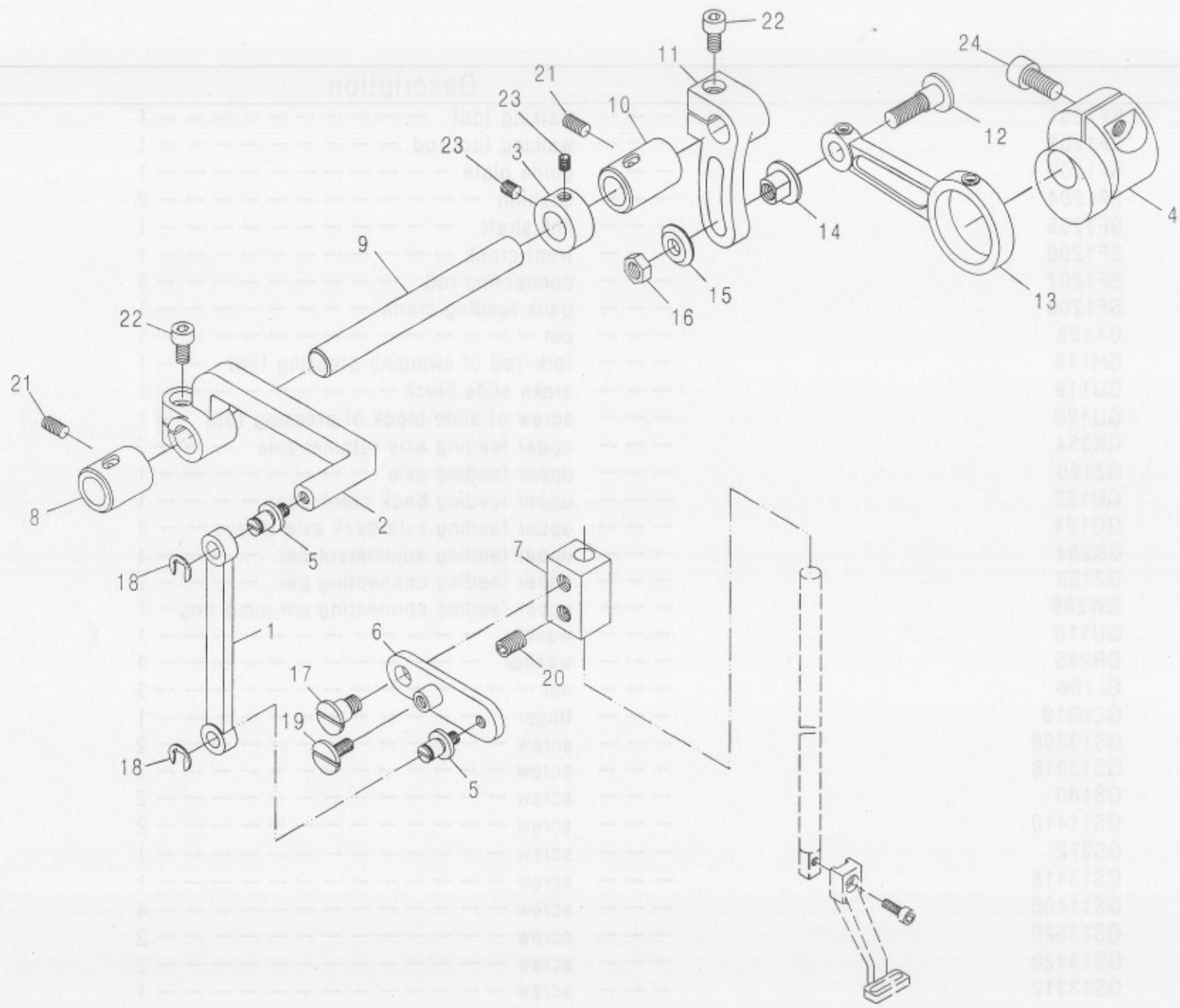
| | | Description | |
|----|--------|---------------------------|---|
| 1 | GKR221 | table | 1 |
| 2 | GKR200 | hinge | 2 |
| 3 | GC1005 | screw | 6 |
| 4 | GC1004 | rubber cushion | 4 |
| 5 | GKR216 | oil pan | 1 |
| 6 | GBS112 | screw | 6 |
| 7 | GC1021 | screw | 4 |
| 8 | M1010 | stand | 1 |
| 9 | GKR184 | footstep axle seat | 4 |
| 10 | GKR182 | pedal | 1 |
| 11 | GKR111 | pedal | 1 |
| 12 | GKR116 | lower rod of clutch motor | 1 |
| 13 | GKR183 | rod adjusting device | 1 |
| 14 | GKR118 | upper rod of clutch motor | 1 |
| 15 | M1014 | thread stand | 1 |



| | | Description | |
|----|---------|-------------------------|---|
| 1 | F1101 | ---cam | 3 |
| 2 | F1102 | ---cam bracket | 1 |
| 3 | F1106 | ---shaft | 1 |
| 4 | F1107 | ---pin | 1 |
| 5 | F1109 | ---shaft key | 1 |
| 6 | F1108 | ---speed reducer | 1 |
| 7 | F1114 | ---wheel | 1 |
| 8 | F1116 | ---wheel | 1 |
| 9 | F1118 | ---teeth belt | 1 |
| 10 | F1134 | ---shaft | 1 |
| 11 | F1133 | ---roller | 1 |
| 12 | F1131 | ---screw | 1 |
| 13 | F1130 | ---rocker | 1 |
| 14 | F1129 | ---bushing | 1 |
| 15 | F1128 | ---T-bar | 1 |
| 16 | F1126 | ---synchro rocker | 1 |
| 17 | F1125 | ---synchro rocker slide | 1 |
| 18 | F1122 | ---bear (right) | 1 |
| 19 | F1121 | ---bear (left) | 1 |
| 20 | F1120 | ---screw rod | 1 |
| 21 | F1119 | ---hood | 1 |
| 22 | F1123 | ---nut | 1 |
| 23 | F1124 | ---nut | 1 |
| 24 | F1132 | ---nut | 1 |
| 25 | F1127 | ---washer | 1 |
| 26 | F1111 | ---washer | 6 |
| 27 | F1142 | ---washer | 4 |
| 28 | F1105 | ---washer | 1 |
| 29 | F1113 | ---washer | 1 |
| 30 | GS13416 | ---screw | 2 |
| 31 | GS13420 | ---screw | 5 |
| 32 | GS12412 | ---screw | 2 |
| 33 | GS13425 | ---screw | 5 |
| 34 | GS13520 | ---screw | 2 |
| 35 | GS11406 | ---screw | 2 |
| 36 | GS172 | ---screw | 2 |



| | | Description | |
|----|---------|--|---|
| 1 | SF1201 | walking foot | 1 |
| 2 | SF1202 | walking foot rod | 1 |
| 3 | SF1203 | guide plate | 1 |
| 4 | SF1204 | cushion | 2 |
| 5 | SF1205 | link shaft | 1 |
| 6 | SF1206 | front crank | 1 |
| 7 | SF1207 | connecting rod | 1 |
| 8 | SF1208 | back feeding cronk | 1 |
| 9 | GX123 | pin | 1 |
| 10 | GH148 | fork-rod of swinging pressing foot | 1 |
| 11 | GU119 | crakn slide block | 1 |
| 12 | GU120 | screw of slide block of pressing foot | 1 |
| 13 | GK254 | upper feeding axle retainer axle | 2 |
| 14 | GZ120 | upper feeding axle | 1 |
| 15 | GH152 | upper feeding back crank seat | 1 |
| 16 | GO124 | upper feeding axle back axle sleeve | 1 |
| 17 | GK254 | upper feeding adjustment bar | 1 |
| 18 | GZ133 | upper feeding connecting pin | 2 |
| 19 | GW205 | upper feeding connecting pin jump ring | 1 |
| 20 | GU110 | washer | 1 |
| 21 | GR245 | washer | 1 |
| 22 | GL106 | nut | 3 |
| 23 | GC0819 | finger | 1 |
| 24 | GS13208 | screw | 2 |
| 25 | GS13318 | screw | 2 |
| 26 | GS180 | screw | 2 |
| 27 | GS11410 | screw | 2 |
| 28 | GS212 | screw | 1 |
| 29 | GS13416 | screw | 1 |
| 30 | GS11406 | screw | 4 |
| 31 | GS13520 | screw | 2 |
| 32 | GS13420 | screw | 2 |
| 33 | GS13312 | screw | 1 |



| | | Description | |
|----|---------|--|---|
| 1 | SF1301 | --- large connecting rod --- | 1 |
| 2 | SF1302 | --- pressing foot front crank --- | 1 |
| 3 | SF1303 | --- blocking ring --- | 1 |
| 4 | SF1304 | --- presser foot lift cam --- | 1 |
| 5 | SF1305 | --- screw --- | 2 |
| 6 | SF1306 | --- pressing foot lifting rocking board | 1 |
| 7 | SF1307 | --- sliding block --- | 1 |
| 8 | GO127 | --- pressing foot lifting shaft front sleeve | 1 |
| 9 | GZ122 | --- pressing foot lift shaft | 1 |
| 10 | GO126 | --- pressing foot lifting shaft back sleeve | 1 |
| 11 | GH146 | --- pressing foot lifting adjusting back crank | 1 |
| 12 | GS150 | --- screw --- | 1 |
| 13 | GD0606 | --- large pressing foot lifting connecting rod | 1 |
| 14 | GL108 | --- nut --- | 1 |
| 15 | GR245 | --- washer --- | 1 |
| 16 | GL106 | --- nut --- | 1 |
| 17 | GS181 | --- screw --- | 1 |
| 18 | GW206 | --- E-type --- | 2 |
| 19 | GS153 | --- screw --- | 1 |
| 20 | GS10508 | --- screw --- | 1 |
| 21 | GS11410 | --- screw --- | 2 |
| 22 | GS13416 | --- screw --- | 2 |
| 23 | GS11406 | --- screw --- | 2 |
| 24 | GS13520 | --- screw --- | 1 |