

GLOBAL

FOZ – 512 / 513 / 514

FEED OF THE ARM ZIGZAG MACHINE

FOZ – 522H / 523H / 524H

**WALKING FOOT , FEED OF THE ARM
ZIGZAG MACHINE**

INSTRUCTION MANUAL SPARE PARTS LIST

Global International BV

H. Figeeweg 4
2031 BJ Haarlem
tel: 023-5319584
fax: 023-5311022
e-mail: global@imca.net












Global Parts bv

H. Figeeweg 4B
2031 BJ Haarlem
tel: 023-5425312
fax: 023-5423422
e-mail: globalparts@planet.nl

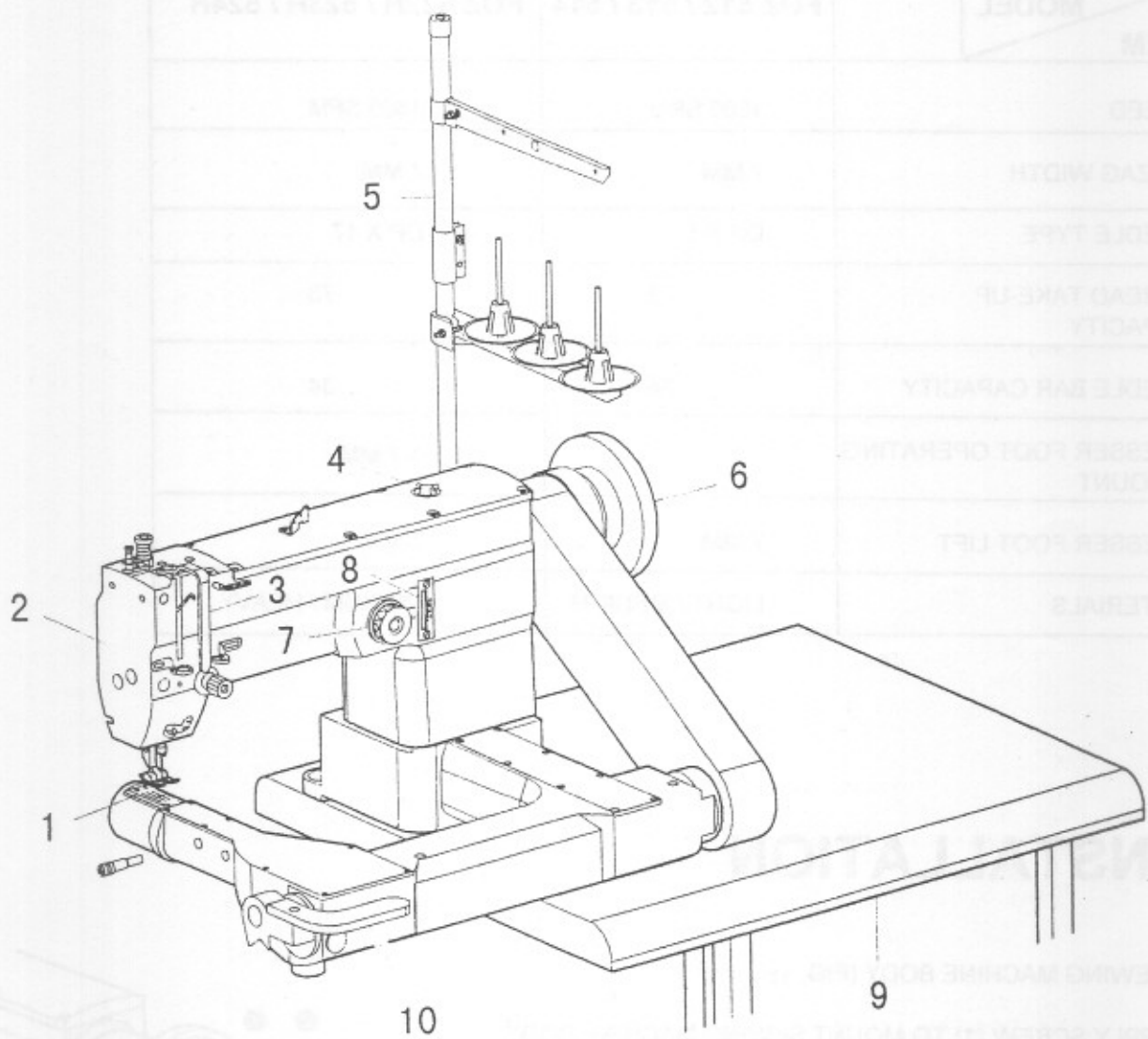
CONTENTS

	PAGE
NAMES OF MAJOR PARTS	1
MACHINE SPECIFICATIONS	2
INSTALLATION	2
SEWING MACHINE BODY	2
BELT COVER C	2
BELT COVER D	2
ADJUSTMENT	3
INSTALLING THE NEEDLE	3
REMOVING THE BOBBIN	3
WINDING THE LOWER THREAD	3
THREADING THE UPPER THREAD	4
ADJUSTING THE PRESSER FOOT PRESSURE	4
ADJUSTING THE STITCH LENGTH	4
FEED DOG HEIGHT ADJUSTING	4
ADJUSTING THE ZIGZAG STITCH	5
TROUBLESHOOTING	6

CAUTION

-  Use the sewing machine in an area which is free from sources of strong electrical noise such as high-frequency welders. Sources of strong electrical noise may cause problems with correct operation.
-  Any fluctuations in the power supply voltage should be within $\pm 10\%$ of the rated voltage for the machine. Voltage fluctuations which are greater than this may cause problems with correct operation.
-  The power supply capacity should be greater than the requirements for the sewing machine's electrical consumption.
-  The ambient temperature should be within the range of 5°C - 35°C during use. Temperatures which are lower or higher than this may cause problems with correct operation.
-  Machine installation should only be carried out by a qualified technician.
-  Contact dealer or a qualified electrician for any electrical work that may need to be done.
-  The sewing machine weighs approximately 38kg. The installation should be carried out by two or more people.
-  Do not connect the power cord until installation is complete. The machine may operate if the treadle is depressed by mistake, which could result in injury.
-  Be sure to connect the ground. If the ground connection is not secure, you run a high risk of receiving a serious electric shock, and problems with correct operation may also occur.
-  All cords should be secured at least 25mm away from any moving parts. Furthermore, do not excessively bend the cords or secure them too firmly with staples, otherwise there is the danger that fire or electric shocks could occur.
-  Be sure to wear protective goggles when using the machine. If goggles are not worn, there is the danger that if a needle breaks, parts of the broken needle may enter your eyes and injury may result.
-  Turn off the power switch at the following times. The motor will keep turning even after the power is switched off as a result of the motor's inertia. Wait until the motor stops fully before starting work. The machine may operate if the treadle is depressed by mistake, which could result in injury.
 - When threading the needle
 - When replacing the bobbin and needle
 - When not using the machine and when leaving the machine unattended
-  The relative humidity should be within the range of 45%-85% during use, and no dew formation should occur in any devices. Excessively dry or humid environments and dew formation may cause problems with correct operation.
-  Avoid exposure to direct sunlight during use. Exposure to direct sunlight may cause problems with correct operation.
-  In the event of an electrical storm, turn off the power and disconnect the power cord from the wall outlet. Lightning may cause problems with correct operation.
-  If using a work table which has casters, the casters should be secured in such a way so that they cannot move.
-  Use both hands to hold the machine head when tilting it back or returning it to its original position. If only one hand is used, the weight of the machine head may cause your hand to slip, and your hand may get caught.
-  Be sure to wear protective goggles and gloves when handling the lubricating oil and grease, so that they do not get into your eyes or onto your skin, otherwise inflammation can result. Furthermore, do not drink the oil or eat the grease under any circumstances, as they can cause vomiting and diarrhea. Keep the oil out of the reach of children.
-  Attach all safety devices before using the sewing machine. If the machine is used without these devices attached, injury may result.
-  Do not touch any of the moving parts or press any objects against the machine while sewing, as this may result in personal injury or damage to the machine.
-  If an error occurs in machine, or if abnormal noises or smells are noticed, immediately turn off the power switch. Then contact your dealer or a qualified technician.
-  If the machine develops a problem, contact your dealer or a qualified technician.
-  This sewing machine should only be used by operators who have received the necessary training in safe use beforehand.
-  The sewing machine should not be used for any applications other than sewing.

NAMES OF MAJOR PARTS



01. NEEDLE PLATE

03. THREAD TAKE-UP LEVER COVER

05. COTTON STAND ASSEMBLY

07. HANDWHEEL

09. RUBBER HINGE ASSY

02. FACE PLATE

04. OIL WINDOW

06. PULLEY

08. INDICATING BOARD

10. REVERSE LEVER

MACHINE SPECIFICATIONS

MODEL	FOZ 512 / 513 / 514	FOZ 522H / 523H / 524H
SPEED	1800 SPM	1800 SPM
ZIGZAG WIDTH	7 MM	7 MM
NEEDLE TYPE	DP X 5	DP X 17
THREAD TAKE-UP CAPACITY	73	73
NEEDLE BAR CAPACITY	34	34
PRESSER FOOT OPERATING AMOUNT		3-7 MM
PRESSER FOOT LIFT	7 MM	7 MM
MATERIALS	LIGHT / MEDIUM	MEDIUM / HEAVY

INSTALLATION

1. SEWING MACHINE BODY (FIG. 1)

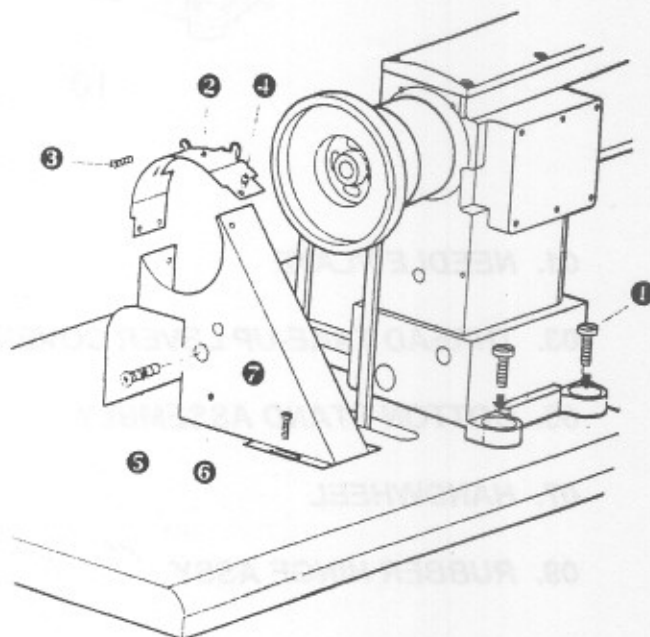
APPLY SCREW (1) TO MOUNT SEWING MACHINE BODY AND PLATE.

2. BELT COVER C (FIG. 1)

APPLY SCREW (3) TO TIGHTEN THE BELT COVER C (2) TO THE MACHINE COVER.

3. BELT COVER D (FIG.1)

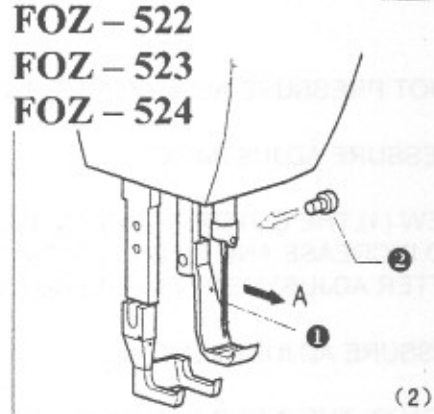
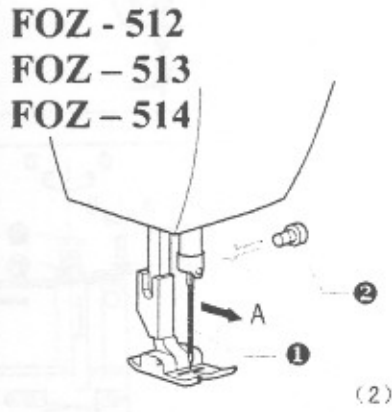
APPLY SCREW (5) & (7) TO TIGHTEN BELT COVER D (6) TO MACHINECOVER AND PLATE SEPERATLY. THEN APPLY SCREW (4) TO TIGHTEN BELT COVER C (2) AND BELT COVER D (6).



ADJUSTMENT

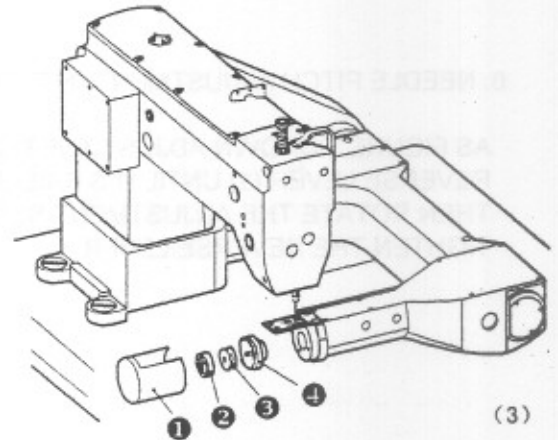
1. INSTALLING THE NEEDLE (FIG. 2)

AS FIGURE (2) SHOWN ROTATE HANDWHEEL TO MAKE NEEDLE BAR RISE TO THE MAXIMUM HEIGHT LOOSEN SCREW (2), PLUG NEEDLE (1) TO THE TOP, NEEDLE GROOVE SIDE FACE TO (A), THEN FASTEN SCREW (2).



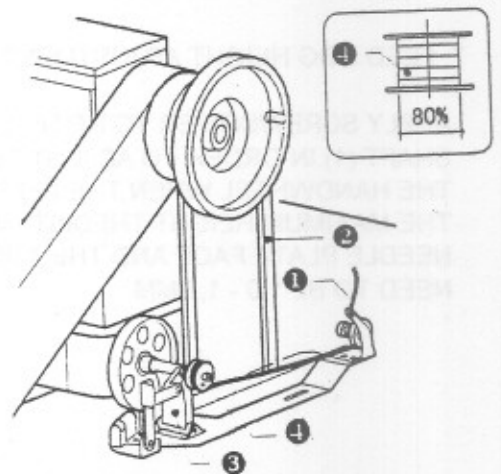
2. CHANGING THE BOBBIN (FIG. 3)

PULL THE CYLINDER COVER (1), OPEN DE BOBBIN CASE THEN TAKE OUT THE BOBBIN CASE. INSTALL THE BOBBIN (3) INTO THE BOBBIN CASE (2) SNAP BOBBIN CASE INTO THE SHUTTLE AND CLOSE CYLINDER COVER.



3. WINDING THE LOWER THREAD (FIG. 4)

AS FIGURE (4) SHOWN, PLACE BOBBIN ON THE BOBBINWINDER SHAFT, CONNECT LOWER THREAD (1), MOVE HANDEL OF THE WINDING SHAFT (3) TO SNAP THE WHEEL TO THE BELT (2) AND ROTATE IT 80% OF THE WINDING AMOUNT OF THE BOBBIN (4).



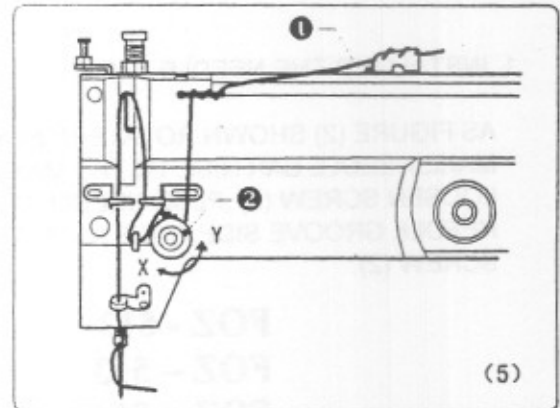
4. THREADING THE UPPER THREAD AND ADJUSTMENT (FIG. 5)

1) THREADING THE UPPER THREAD

INSERT THE UPPER THREAD (1) AS FIGURE SHOWN.

2) FACE LINE TENSION ADJUSTMENT

ROTATE CLIPPER (2) THE UPPER LINE TENSION IN DIRECTION (X) TO INCREASE AND (Y) DIRECTION TO DECREASE.



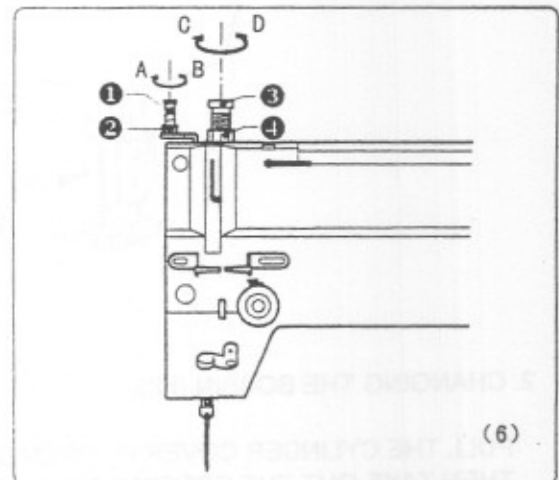
5. PRESSER FOOT PRESSURE ADJUSTMENT (FIG. 6)

1) OUTER PRESSURE ADJUSTMENT

ROTATE SCREW (1), THE OUTER PRESSURE IN (A) DIRECTION TO INCREASE AND (B) DIRECTION TO DECREASE. AFTER ADJUSTMENT FIX THE NUT (2)

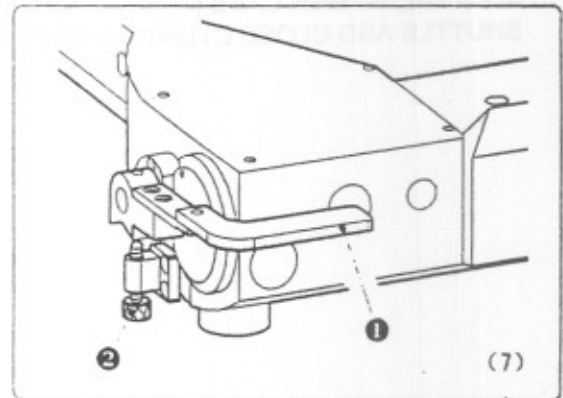
2) INNER PRESSURE ADJUSTMENT

ROTATE SCREW (3), THE INNER PRESSURE IN (C) DIRECTION TO INCREASE AND (D) DIRECTION TO DECREASE. AFTER ADJUSTMENT FIX THE NUT (4)



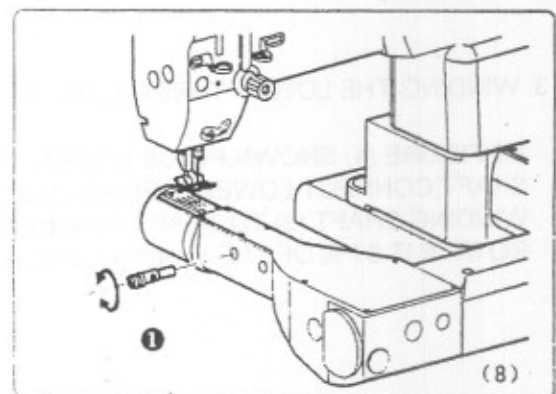
6. NEEDLE PITCH ADJUSTMENT (FIG. 7)

AS FIGURE 7 SHOWN, ADJUST THE POSITION OF REVERSE LEVER (1) UNTIL IT'S RAISED AS DESIRED, THEN ROTATE THE ADJUSTMENT SCREW (2) TO TIGHTEN THE REVERSE LEVER.



7. FEED DOG HEIGHT ADJUSTMENT (FIG. 8)

APPLY SCREWDRIVER TO ROTATE ECCENTRIC SHAFT (1) IN ORDER TO ADJUST THE HEIGHT. ROTATE THE HANDWHEEL WHEN THE FEED DOG RISE TO THE MAXIMUM HEIGHT THE DISTANCE BETWEEN NEEDLE PLATE FACE AND THE TOP OF THE FEED DOG NEED TO BE 1,0 - 1,2 MM.



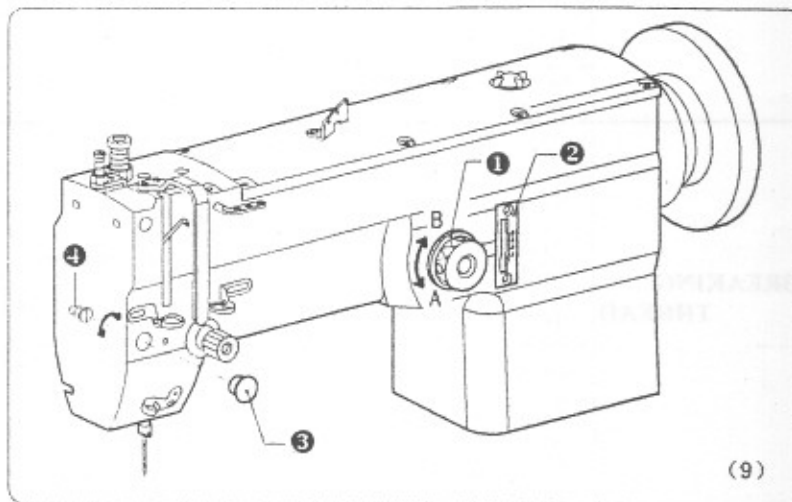
8. ZIGZAG WIDTH ADJUSTMENT (FIG. 9)

1) MACRO ADJUSTMENT.

THE SWING INDICATOR (2) INDICATE THE WIDTH NUMBER IN MM. ROTATE THE DIAL WHEEL TO ADJUST THE ZIGZAG WIDTH. DIAL IN (A) DIRECTION DECREASE AND (B) DIRECTION INCREASE.

2) MICRO ADJUSTING.

OPEN THE RUBBER CORK (3) APPLY SCREWDRIVER TO ROTATE ECCENTRIC BAR (4) TO ADJUST ZIGZAG WIDTH.



TROUBLESHOOT

NO	TROUBLE	WHAT TO DO WHEN	TROUBLE CARRSE	CORRECTIVE MEASURES
1	BREAKING NEEDLE	Dirrection and height of needle	Wrong drection of upper needle	Correct direction from high to maximum high
		Needle	Bend needle	Change needle
		Feed dog travel	Mismatch of needle bar movement feed dog travel	Ajust travel of feed dog
		Needle bar rising	Wrong travel of needle and shuttle	Ajust travll of needle and shuttle
		Needle bar height	Wrong travel of needle and shuttle	Ajust travll of needle and shuttle
		Main distance between needle and shuttle	Wrong travel of needle and shuttle	Ajust travll of needle and shuttle
2	BREAKING THREAD	Ways of threading	Improper threading	Correct threading
		Needle	Bent needle or broken needle tip	Change needle
		Dirrection and height of needle	Upper needle problem	Correct upper needle
		Upper thread tension	Upper thread tension too strong	Ajust upper thread tension
		Lower thread tension	Lower thread tension too strong	Ajust lower thread tension
		Thread take-up spring rate	Rate too big	Ajust spring rate
		Thread take-up spring tension	Thread take-up spring tension too weak	Ajust thread take-up spring tension
3	THREAD PROBLEM	Thread tension	Shuttle and upper thread tension problem	Adjust shuttle and upper thread tension
		Thread take-up spring tension	Thread take-up spring tension problem	Adjust thread take-up spring tension
		Presser foot	Presser foot too high	Ajust presser foot height
		Presser foot pressure	Presser foot presser too small	Ajust presser foot pressure
4	IRREGULAR STITCH	Feed dog height	Feed dog height too low	Ajust feed dog height
		Presser foot pressure	Presser foot pressure too small	Ajust presser foot pressure
		Bobbin	Scratch bobbin	Polish or change
		V belt tension	Belt tension too small	Ajust belt tension
5	PUCKERING OF FABRIC	Upper thread tension	Upper thread tension too strong	Ajust upper thread tension
		Lower upper thread tension	Lower thread tension too strong	Adjust lower and upper thread tension
		Thread take-up spring tension	Thread take-up spring tension too problem	Adjust thread take-up spring tension
		Thread take-up spring rate	Rate too big	Adjust thread take-up spring rate
		Presser foot uressure	Presser foot pressure too small	Ajust presser foot pressure

GLOBAL SEWING MACHINE PARTS BOOK

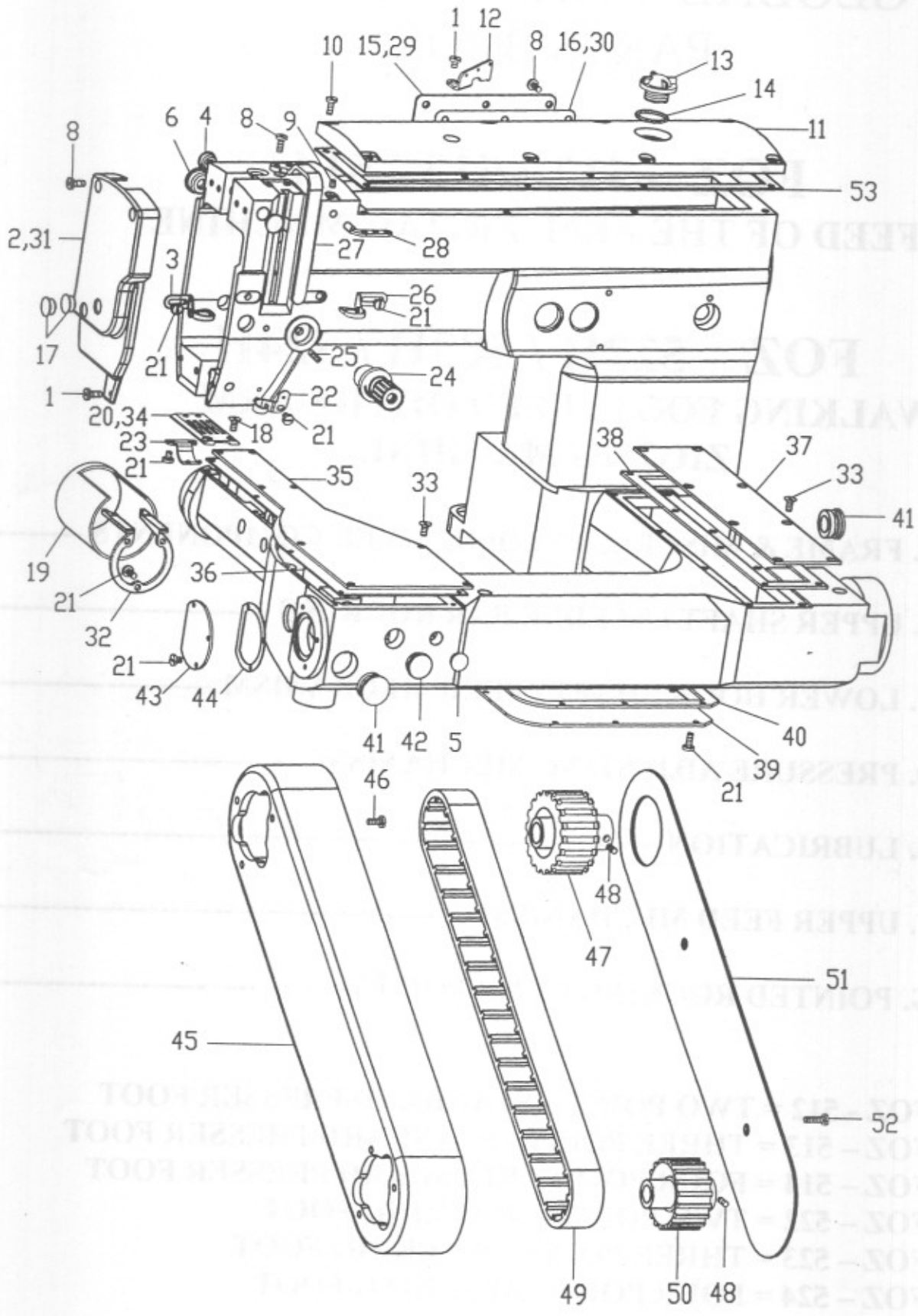
FOZ – 512 / 513 / 514 **FEED OF THE ARM ZIGZAG MACHINE**

FOZ – 522H / 523H / 524H **WALKING FOOT , FEED OF THE ARM** **ZIGZAG MACHINE**

A. FRAME & MISCELLANEOUS COVER COMPONENTS -----	1
B. UPPER SHAFT / NEEDLE BAR ROCKING -----	3
C. LOWER HOOK SHAFT / FEED MECHANISM -----	5
D. PRESSURE ADJUSTING MECHANISM -----	7
E. LUBRICATION -----	7
F. UPPER FEED MECHANISM -----	9
G. POINTED ROCKING (3 & 4 POINT) -----	9

FOZ - 512 = TWO POINT – STANDARD PRESSER FOOT
FOZ – 513 = THREE POINT - STANDARD PRESSER FOOT
FOZ – 514 = FOUR POINT - STANDARD PRESSER FOOT
FOZ – 522 = TWO POINT – WALKING FOOT
FOZ – 523 = THREE POINT - WALKING FOOT
FOZ – 524 = FOUR POINT - WALKING FOOT

A.



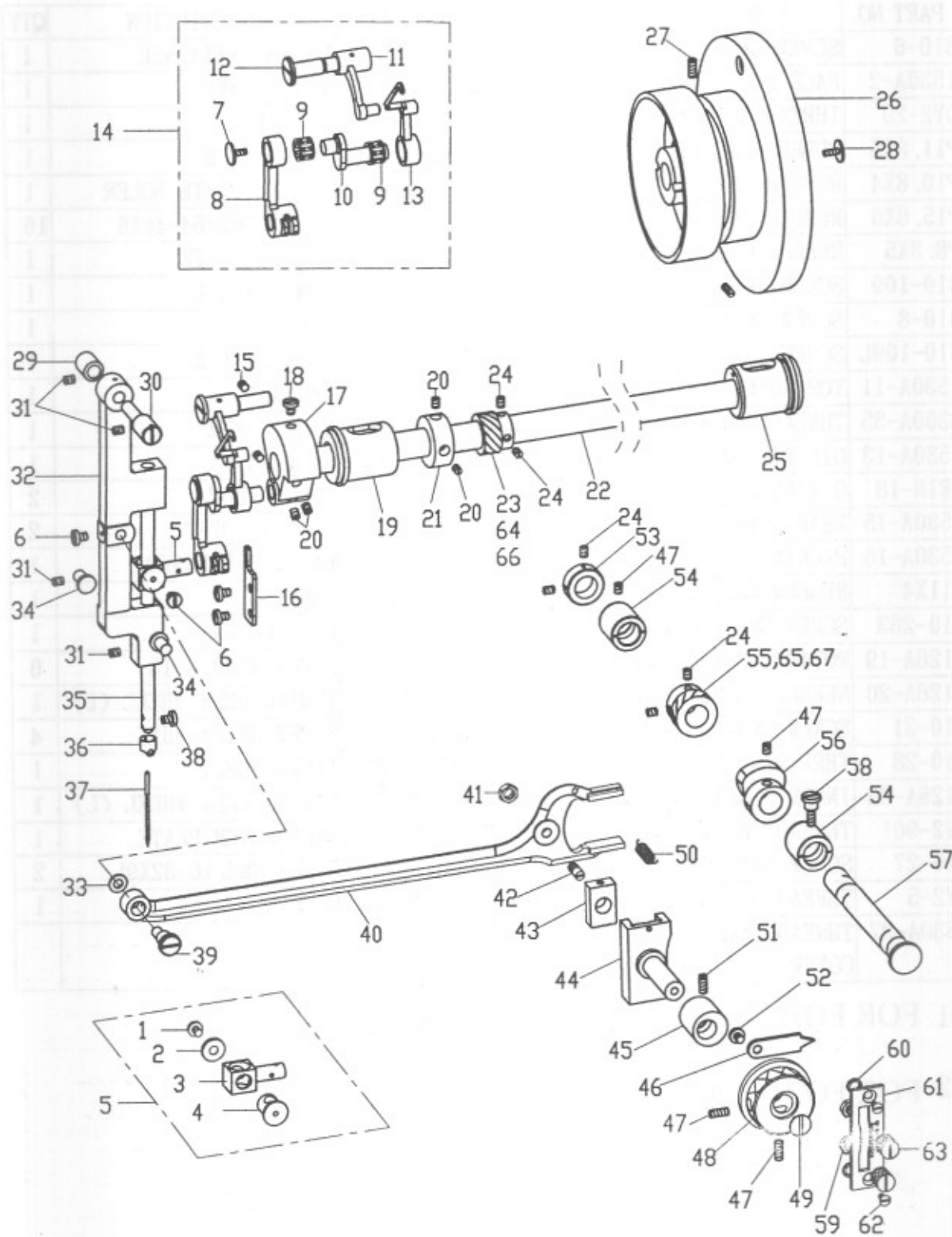
A. FRAME & MISCELLANEOUS COVER COMPONENTS

	NO	PART NO.	DISCRIPTION	QTY		NO	PART NO.	DISCRIPTION	QTY
	01	810-6	SCREW SM11/64-40X5	2		28	810-19	THREAD RETAINER	1
01	02	1530A-2	FACE PLATE	1	02	29	2530A-32	REAR COVER	1
	03	DY2-29	THREAD GUIDE(L)	1	02	30	2530A-33	PACKING	1
	04	P11.8X5	RUBBER CAP 11.8	3	02	31	2530A-31	FACE PLATE	1
	05	P10.8X4	RUBBER CAP 10.8	1		32	1126A-47	NEEDLE PLATE HOLER	1
	06	P15.8X6	RUBBER CAP 15.8	2		33	810-255	SCREW SM9/64-40X6	16
	07	P8.8X5	RUBBER CAP 8.8	2	02	34	2126A-34	NEEDLE PLATE	1
	08	810-109	SCREW SM11/64-40X7	10		35	1126A-35	ARM PLATE L.	1
	09	810-8	SCREW SM11/64-40X6	1		36	1126A-36	PACKING	1
	10	810-109L	SCREW SM11/64-40X9	8		37	1126A-37	ARM PLATE R.	1
	11	1530A-11	TOP COVER	1		38	1126A-38	PACKING	1
	12	3300A-35	THREAD GUIDE (U)	1		39	1126A-39	DOWN PLATE	1
	13	1530A-13	OIL WINDOW	1		40	1126A-40	PACKING	1
	14	ORIN-18	O RING-18	1		41	1126A-41	OIL WINDOW	2
01	15	1530A-15	REAR COVER	1		42	P15X7	RUBBER COVER	2
01	16	1530A-16	PACKING	1		43	1126A-42	BEARING PRESSER	1
	17	P11X4	RUBBER CAP 11	2		44	1126A-43	PACKING	1
	18	810-263	SCREW SM11/64-40X7	2		45	927E-8	BELT COVER	1
	19	1126A-19	ROTARY HOOK COVER	1		46	1126A-46	SCREW M5X0.8-15	6
01	20	1126A-20	NEEDLE PLATE	1		47	927E-3	TIMING BELT WHEEL (U)	1
	21	810-21	SCREW SM9/64-40X7	19		48	42K-5-1	SCREW SM1/4-40X6	4
	22	810-28	THREAD GUIDE (D)	1		49	927E-7	TIMING BELT	1
	23	1126A-23	INNER BOBBIN STOPPER	1		50	927E-5	TIMING BELT WHEEL (L)	1
	24	DY2-901	THREAD TENSION ASSY	1		51	927E-10	BELT COVER PLATE	1
	25	810-27	SCREW SM15/64-28X7	1		52	45D-2	SCREW SM3/16-32X9L	2
	26	DY2-5	THREAD GUIDE R:ARM	1		53	1530A-53	PACKING	1
	27	1530A-27	THREAD TAKE-UP LEVER COVER	1					

NOTE:01 FOR FOZ – 510 SERIES

02 FOR FOZ – 520 SERIES

B.



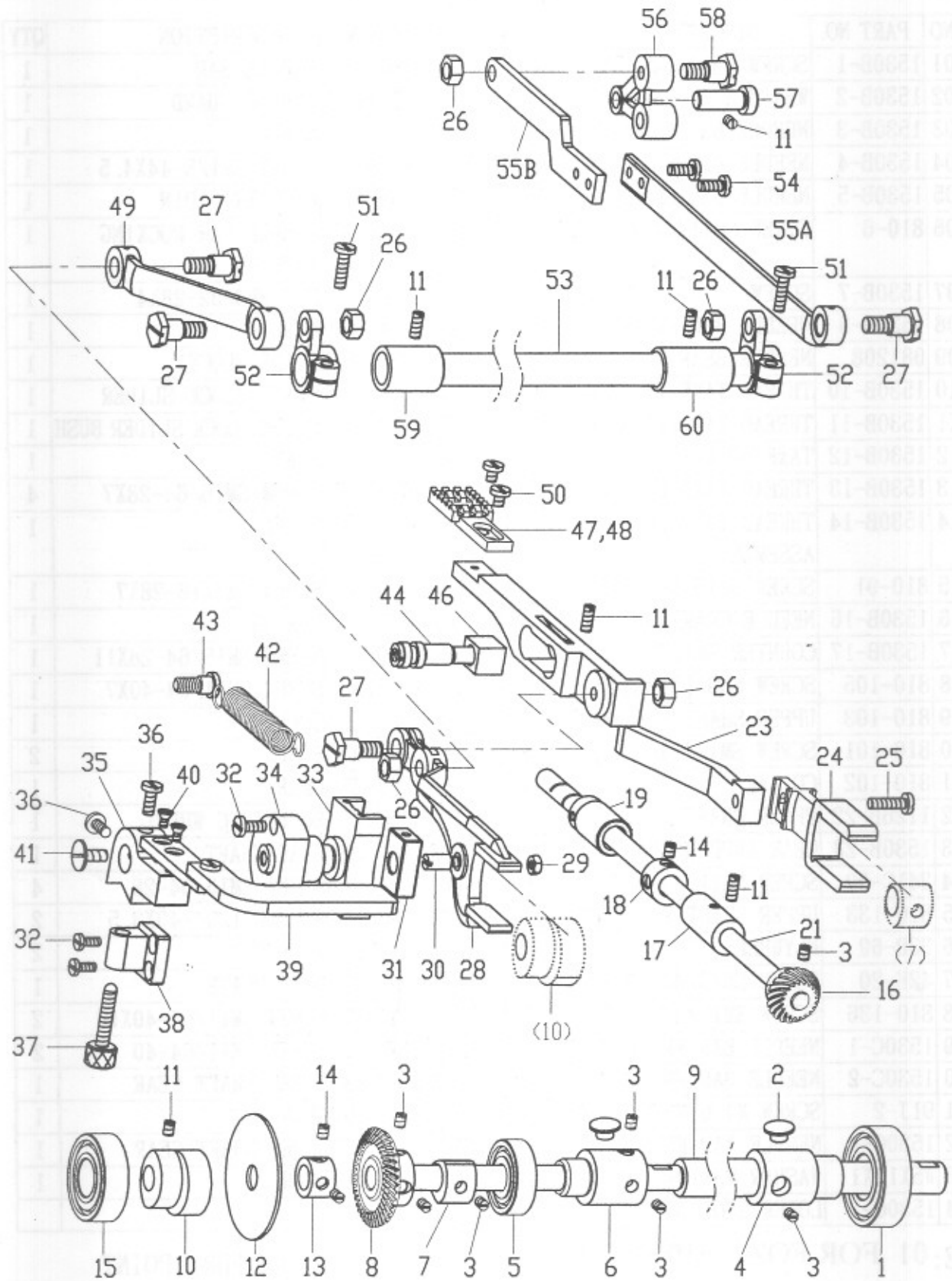
B. UPPER SHAFT DRIVING & BALANCE, NEEDLE BAR ROCKING COMPONENTS

NO	PART NO.	DISCRIPTION	QTY	NO	PART NO.	DISCRIPTION	QTY
01	1530B-1	SCREW SM11/64-40X3.5	1	35	1530C-8	NEEDLE BAR	1
02	1530B-2	WHASHER	1	36	91C-38	THREAD GUARD	1
03	1530B-3	NEEDLE BAR CONNECTION	1	37	DPX5	NEEDLE	1
04	1530B-4	NEEDLE BAR HOLDER	1	38	810-88	SCREW SM1/8-44X4.5	1
05	1530B-5	NEEDLE BAR CLAMP	(1)	39	1530C-12	ECCENTRIC PIN	1
06	810-6	SCREW SM11/64-40X6	4	40	1530C-13	NEEDLE BAR ROCKING PITMAN	1
07	1530B-7	SCREW	1	41	810-142	NUT SM9/32-28X4	1
08	1530B-8	NEEDLE BAR CRANK	1	42	1530C-15	STUD	1
09	081208	NEEDLE BEARING	2	43	1530C-16	SLIDE BLOCK	1
10	1530B-10	THREAD TAKE-UP CRANK	1	44	1530C-17	SLIDE BLOCK SLIDER	1
11	1530B-11	THREAD TAKE-UP ROD	1	45	DY8-155	SLIDE BLOCK SLIDER BUSH	1
12	1530B-12	TAKE-UP LEVER PIN	1	46	1530C-19	PLATE	1
13	1530B-13	THREAD TAKE-UP LEVER	1	47	810-27	SCREW SM15/64-28X7	4
14	1530B-14	THREAD TAKE-UP LEVER ASSEMBLY	(1)	48	1530C-21	WHEEL	1
15	810-91	SCREW SM15/64-28X15	1	49	810-165	SCREW SM3/16-28X7	1
16	1530B-16	NEEDLE CRANK GUIDE	1	50	1530C-23	SPRING	1
17	1530B-17	COUNTER WEIGHT	1	51	810-99	SCREW SM15/64-28X11	1
18	810-105	SCREW SM9/32-28X10	1	52	810-263	SCREW SM11/64-40X7	1
19	810-103	UPPER SHAFT BUSHING(L)	1	53	1530C-26	COLLAR	1
20	810-101	SCREW SM1/4-40X6	3	54	1530C-27	BUSH	2
21	810-102	COLLAR	1	55	1530C-28	GEAR	1
22	1126B-22	UPPER SHAFT	1	56	1530C-29	ECCENTRIC WHEEL	1
23	1530B-23	GEAR (UPPER SHAFT)	1	57	1530C-30	GEAR SHAFT	1
24	341C-60	SCREW SM11/64-40X4	6	58	1530C-32	SCREW SM15/64-28	4
25	810-133	UPPER SHAFT BUSHING(R)	1	59	1530C-33	NUT SM11/64-40X3.5	2
26	33B-69	FLYWHEEL	1	60	DY8-201	WASHER	2
27	42E-20	SCREW SM15/64-28X15	2	61	1530C-35	DIAL PLATE	1
28	810-136	SCREW SM11/32-28X13	1	62	1530C-36	SCREW SM11/64-40X10	2
29	1530C-1	NEEDLE BAR FRAME BUSH	1	63	1530C-37	SCREW SM11/64-40	2
30	1530C-2	NEEDLE BAR FRAME PIN	1	03 64	1533B-23	UPPER SHAFT GEAR	1
31	91J-2	SCREW M4-0.75X4	4	03 65	1533C-28	GEAR	1
32	1530C-4	NEEDLE BAR FRAME	1	04 66	1534B-23	UPPER SHAFT GEAR	1
33	W5X10X1	WASHER W5*10*1	1	04 67	1534C-28	GEAR	1
34	1530C-7	LOWER STOP STUD	2				

NOTE: 01 FOR FOZ - 510 SERIES 03 FOR 3POINT 04 FOR 4POINT

02 FOR FOZ - 520 SERIES -4-

C.



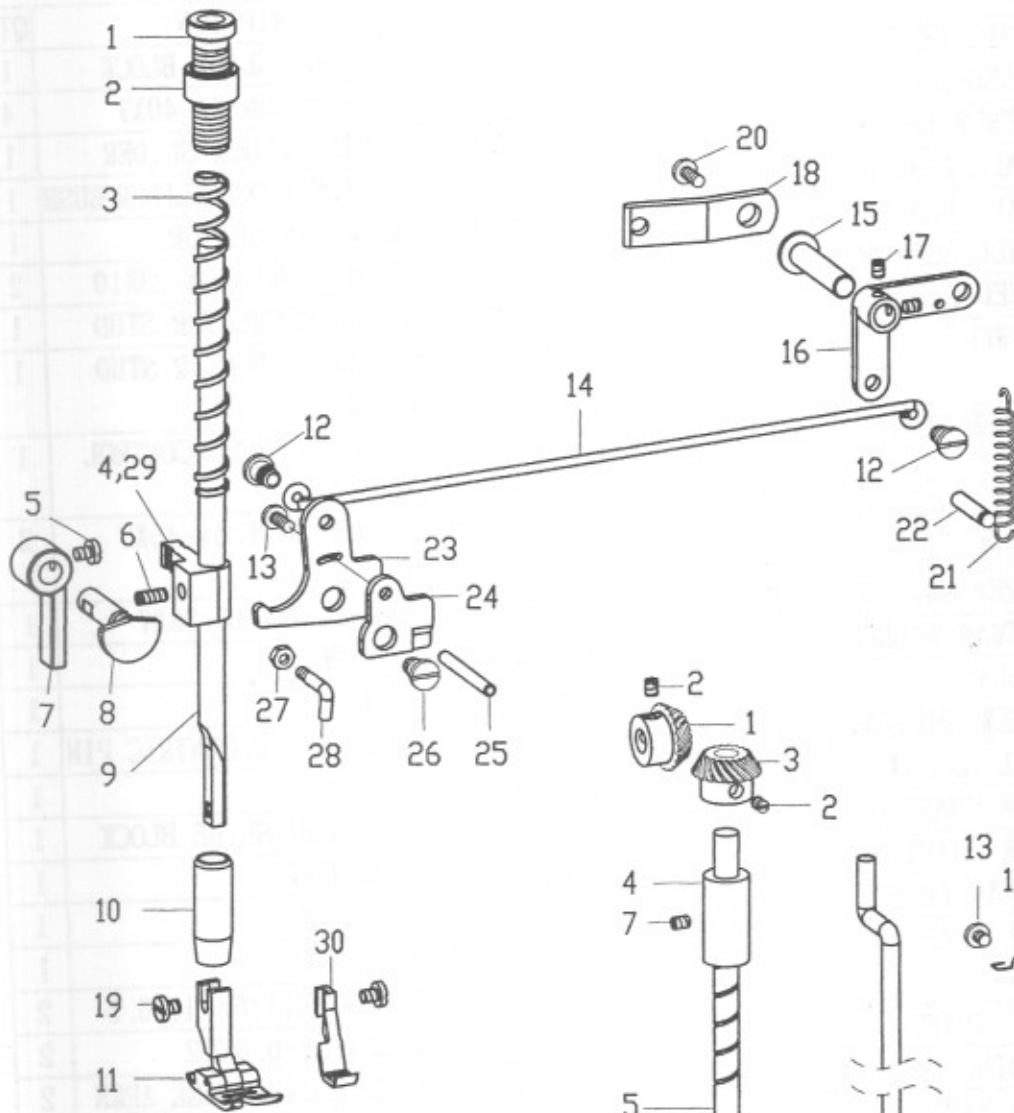
C. LOWER. HOOK SHAFT & FEED MECHANISM COMPONENTS

NO	PART NO.	DISCRIPTION	QTY	NO	PART NO.	DISCRIPTION	QTY
01	6203NR	BALL BEARING R.	1	31	1530C-16	SQUARE SLIDE BLOCK	1
02	P8. 8X5	RUBBER CAP	2	32	810-21L	SCREW SM9/64-40X7	4
03	42K-5-1	SCREW SM1/4-40X6	8	33	1126C-33	SLIDE BLOCK SLIDER	1
04	1126C-4	BALL BEARING BUSH R.	1	34	1126C-34	SLIDE BLOCK SLIDER BUSH	1
05	6202NR	BALL BEARING	1	35	1126C-35	FEED REGULATOR	1
06	1126C-6	BALL BEARING BUSH	1	36	810-168	SCREW SM15/64-28X10	2
07	1508F-31	FEED CAM (U&D)	1	37	1126C-37	FEED REGULATOR STUD	1
08	1126C-8	LOWER SHAFT BEVEL GEAR	1	38	1126C-38	FEED REGULATOR STUD BASE	1
09	1126C-9	LOWER SHAFT	1	39	1126C-39	REVERSE FEED CONTROL LEVER	1
10	1126C-10	LOWER FEED ECCENTRIC WHEEL	1	40	810-263	SCREW SM11/64-40X7	2
11	810-27	SCREW SM15/64-28X7	4	41	810-165	SCREW SM3/16-28X7	1
12	1126C-12	PITMAN WASHER	1	42	1126C-42	SPRING	1
13	1126C-13	COLLAR	1	43	1126C-43	PIN	1
14	810-221	SCREW SM15/64-28X5	4	44	927F-9	FEED BAR ECCENTRIC PIN	1
15	6200ZZ	BALL BEARING	1	45	O-RING	O RING	1
16	1126C-16	HOOK SHAFT GEAR	1	46	927F-5-1	FEED BAR SLIDE BLOCK	1
17	1126C-17	HOOK SHAFT BUSHING	1	01 47	1126C-47	FEED DOG	1
18	810-122	COLLAR (H/S)	1	02 48	2126C-48	FEED DOG	1
19	927K-18	HOOK SHAFT BUSHING	1	02 49	2126C-49	FEED ROD	1
20	KRP-457W	HOOK	1	50	810-292	SCREW SM11/64-40X6.5	2
21	1126C-21	HOOK SHAFT	1	02 51	2126C-51	SCREW M5-0.8X12	2
22	SC70-3FL	BOBBING CASE	1	02 52	2126C-52	FEED ROCKER BASE ARMN	2
23	1126C-23	FEED BAR	1	02 53	2126C-53	FEED ROCK SHAFT	1
24	1126C-24	FEED BAR FORK (U&D)	1	02 54	2126C-54	SCREW M4-0.75X8	2
25	1126A-46	SCREW M5-0.8X15	2	02 55	2126C-55	ROD	1
26	DY8-207A	NUT SM1/4-40X5	1	02 56	1341D-19	TRIANGULAR LEVER	1
27	1341E-20	SCREW SM1/4-40X12	1	02 57	810-159	TRIANGULAR LEVER PIN	1
28	1126C-28	FEED BAR FORK ROD	1	02 58	2126C-58	SCREW SM1/4-40	1
29	810-142	NUT 9/32-28X4	1	02 59	2126C-59	BUSH L.	1
30	1530C-15	STUD	1	02 60	2126C-60	BUSH R.	1

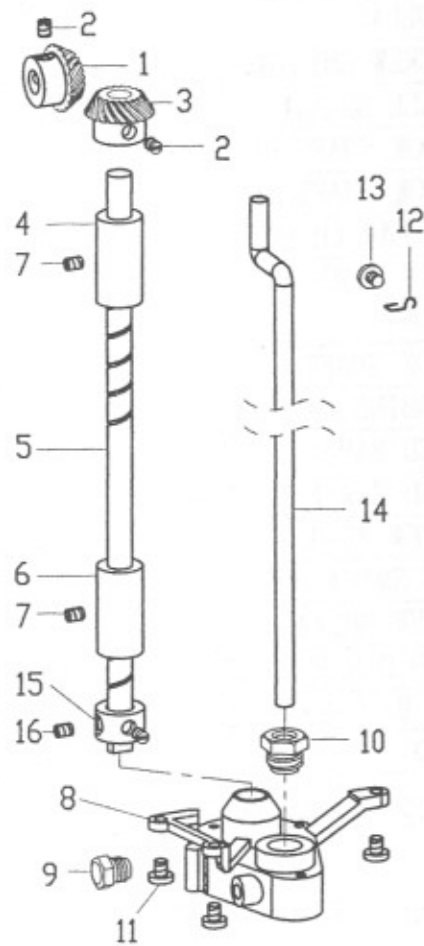
NOTE: 01 FOR FOZ - 510 SERIES

02 FOR FOZ - 520 SERIES

D.



E.



D. PRESSURE ADJUSTING MECHANISM COMPONENTS

NO	PART NO.	DISCRIPTION	QTY	NO	PART NO.	DISCRIPTION	QTY
01	810-184	PRESSER ADJUSTING SCREW	1	16	1126D-16	KNEE LIFTER LEVER R.	1
02	DY10-143	PRESSER ADJUSTING NUT	1	17	810-168	SCREW SM15/64-28X7	2
03	810-187	PRESSER SPRING	1	18	1126D-18	PLATE	1
01 04	1530F-4	PRESSER BAR BRACKET	1	19	810-21	SCREW SM9/64-40X7	1
05	810-109	SCREW SM11/64-40X7	1	20	91D-3	SCREW SMM4X0.75	1
06	810-27	SCREW SM15/64-28X7	5	21	1530F-21	SPRING	1
07	1530F-7	PRESSER LIFTER LEVER	1	22	1530F-22	SPRING PIN	1
08	1530F-8	LIFTER CRANK P-BAR	1	23	1530F-23	P-BAR LIFTING LINK	1
09	DY10-137	PRESSER BAR	1	24	1530F-24	THREAD RELEASE PLATE	1
10	810-202	BUSH, P-BAR	1	25	DY10-125	THREAD RELEASE PIN	1
01 11	1530F-11	WALKING FOOT	1	26	1530F-26	SCREW SM1/4-40X7.5	1
12	341F-25	SCREW SM3/16-28X8.5	2	27	91P12-10	NUT SM9/64-40X3	1
13	810-292	SCREW SM11/64-40X6.5	1	28	1530F-28	THREAD RETAINER	1
14	1530F-14	CONNECTING STICK	1	02 29	2530F-29	PRESSER BAR BRACKET	1
15	1126D-15	PIN	1	02 30	2530F-30	WALKING FOOT	1

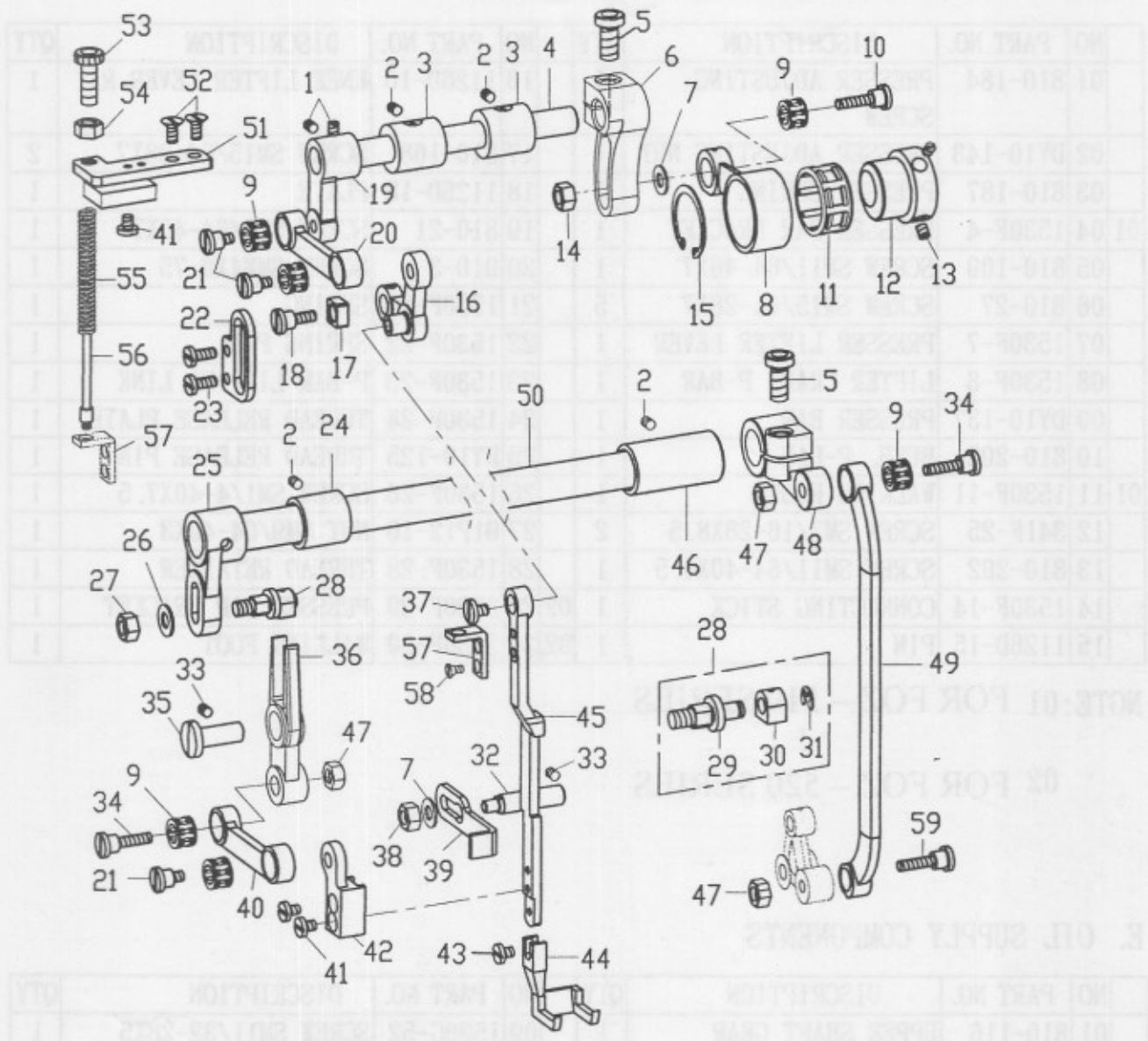
NOTE:01 FOR FOZ – 510 SERIES

02 FOR FOZ – 520 SERIES

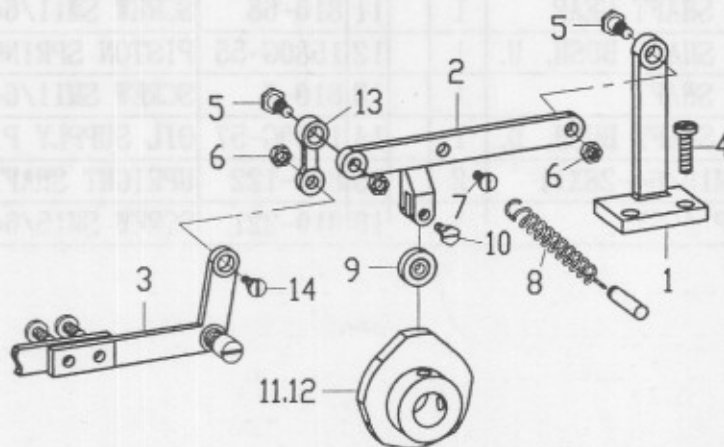
E. OIL SUPPLY COMPONENTS

NO	PART NO.	DISCRIPTION	QTY	NO	PART NO.	DISCRIPTION	QTY
01	810-116	UPPER SHAFT GEAR	1	09	1530G-52	SCREW SM11/32-28X5	1
02	810-101	SCREW SM1/4-40X5	4	10	1530G-53	SCREW SM11/32-28X5	3
03	810-117	UPRIGHT SHAFT GEAR	1	11	810-68	SCREW SM11/64-40X13	1
04	810-119	UPRIGHT SHAFT BUSH, U.	1	12	1530G-55	PISTON SPRING PIN	1
05	1530B-40	UPRIGHT SHAFT	1	13	810-6	SCREW SM11/64-40X6	1
06	810-120A	UPRIGHT SHAFT BUSH, D.	1	14	1530G-57	OIL SUPPLY PIPE	1
07	810-99	SCREW SM15/64-28X11	2	15	810-122	UPRIGHT SHAFT COLLAR	1
08	1530G-51	OIL PUMP ASSY	1	16	810-221	SCREW SM15/64-28X5	2

F. FOR FOZ - 520 SERIES



G.



F. UPPER FEED MECHANISM COMPONENTS

NO	PART NO.	DISCRIPTION	QTY	NO	PART NO.	DISCRIPTION	QTY
01	91G-17	SCREW M5-0.8X6	2	31	E-4	E RING	1
02	810-8	SCREW SM11/64-40X6	4	32	2530G-32	HINGE SHAFT	1
03	DY8-155	FRONT METAL	2	33	810-27	SCREW SM15/64-28X7	2
04	2530G-4	UPPER FEED SHAFT	1	34	2530G-34	SCREW SM1/4-40X16	2
05	810-261S	SCREW M6X20	2	35	DY8-208	PIN	1
06	2530G-6	UPPER FEED REAR ARM	1	36	640E-63	U-FEED LEVEL DRIVING LINK	1
07	W6X12	WASHER	2	37	810-164	SCREW SM3/16-28X7	1
08	2530G-8	UPPER FEED ROD	1	38	42C-15	NUT SM15/64-28X3	1
09	8X12X8	NEEDLE BEARING	6	39	2530G-39	PLATE	1
10	2530G-10	SCREW M6	1	40	2530G-40	U-FEED LEVEL DRIVING ROD	1
11	24X28X13	NEEDLE BEARING	1	41	810-21S	SCREW SM9/64-40X6	3
12	2530G-12	ECCENTRIC CAM	1	42	2530G-42	UPPER FEED LEVEL HOLDER	1
13	810-101	SCREW SM1/4-40X6	2	43	810-21L	SCREW SM9/64-40X8	1
14	DY8-167	NUT M6	1	44	2530G-44	UPPER FEED PRESSER FOOT	1
15	R-24	C RING	1	45	2530G-45	UPPER FEED LEVER	1
16	2530G-16	U-FEED CONNECTING LINK	1	46	640E-46	U-FEED REAR BUSHING R.	1
17	2530G-17	SLIDE BLOCK	1	47	DY8-207A	NUT SM1/4-40X5	3
18	2530G-18	SCREW SM3/16-28X7	1	48	2530G-48	U-FEED DRIVING CRANK R.	1
19	2530G-19	UPPER FEED FRONT ARM	1	49	2530G-49	U-FEED DRIVING ROD	1
20	2530G-20	UPPER FEED LINK	1	50	2530G-50	UPPER FEED DRIVING SHAFT	1
21	2530G-21	SCREW SM1/4-40X6	3	51	2530G-61	ADJUSTING SCREW FRAME	1
22	2530G-22	UPPER FEED GUIDE PLATE	1	52	810-263	SCREW SM11/64-40X7	2
23	810-109	SCREW SM11/64-40X7	2	53	DY8-151	SCREW SM9/32-28	1
24	DY8-193	BUSHING	1	54	810-142	NUT SM9/32-28	1
25	DY8-212	ADJUSTING CRANK	1	55	DY8-170	PRESSER SPRING	1
26	W6.5X13	WASHER	1	56	DY8-171	SPRING BAR	1
27	DY8-210	NUT SM1/4-24X5	1	57	2530G-62	FULCRUM	1
28	DY8-194	SLIDE BLOCK ASSEMBLY	(1)	58	810-255	SCREW SM9/64-40X7	2
29	DY8-194B	STUD	1	59	2126C-62	SCREW SM1/4-40	2
30	DY8-194A	SLIDE BLOCK	1				

G. POINTED ROCKING (03 FOR 3 POINT) (04 FOR 4 POINT)

NO	PART NO.	DISCRIPTION	QTY	NO	PART NO.	DISCRIPTION	QTY
01	1534C-1	ROD HOLDER	1	08	1530D-21	SPRING	1
02	1534C-2	ROD	1	09	624ZZ	BALL BEARING	1
03	1534C-3	NEEDLE BAR ROCKING ROD	1	10	91C-9	SCREW M4-0.75X6	1
04	1534C-4	SCREW M6-1.0X12	2	03 11	1533C-29	CAM (FOR 3 OINT)	1
05	78L2-21-4	SHOULDERSCREW SM3/16-32	2	04 12	1534C-29	CAM (FOR 4 POINT)	1
06	810-194	SCREW SM3/16-32X3	3	13	78L2-21-3	CONNECTING LINK FOR CAM	1
07	810-188-1	SCREW SM3/16-28	1	14	810-267	SCREW SM3/16-32	1

QTY	NO PART NO.	DESCRIPTION	QTY	NO PART NO.
1	01 810-17	SCREW M3-0.4X8	2	01 810-4
1	02 810-8	SCREW SHLVA-10X8	4	02 810-20
1	03 078-152	FRONT METAL	2	03 078-21
1	04 2200-4	UPPER FEED SHAFT	1	04 2200-30
1	05 810-2812	SCREW WASH	2	05 810-20
1	06 2200-6	UPPER FEED NUT ASM	1	06 2200-22
1	07 0012	WASHER	2	07 810-104
1	08 2200-8	UPPER FEED NUT	1	08 2200-12
1	09 812X8	WHEEL BEARING	6	09 812X8-20
1	10 2200-10	SCREW M8	1	10 2200-20
1	11 0420X13	MIDDLE BEARING	1	11 0420X13-20
1	12 2200-12	ECCENTRIC CAM	1	12 2200-20
1	13 810-101	SCREW SHLVA-40X8	2	13 810-21
1	14 078-187	NUT M8	1	14 078-20
1	15 8-24	O RING	1	15 8-24-20
1	16 2200-16	U-FEED CONNECTING LINK	1	16 2200-20
1	17 2200-17	SLIDE BLOCK	1	17 2200-20
1	18 2200-18	SCREW SHLVA-20X7	1	18 2200-20
1	19 2200-19	UPPER FEED FRONT ARM	1	19 2200-20
1	20 2200-20	UPPER FEED LINK	1	20 2200-20
1	21 2200-21	SCREW SHLVA-10X8	2	21 2200-20
1	22 2200-22	UPPER FEED GUIDE PLATE	1	22 2200-20
1	23 810-108	SCREW SHLVA-40X7	2	23 810-101
1	24 078-193	WASHER	1	24 078-115
1	25 078-212	ADJUSTING SCREW	1	25 078-170
1	26 00 8210	WASHER	1	26 00 170
1	27 078-210	NUT SHLVA-20X7	1	27 078-10
1	28 078-104	SLIDE BLOCK ASSEMBLY	1	28 078-22
1	29 078-104B	SLIDE	1	29 078-20
1	30 078-104A	SLIDE BLOCK	1	30 078-20

IMCA bv - Holland

Hendrik Figeeweg 4
2031 BJ Haarlem
Phone: (31) 23 531 95 84
Fax: (31) 23 531 10 22
e-mail :info@imca.net

IMCA USA - Georgia

3249 Cleveland highway
Gainesville GA 30506
Phone: (1) 770 535 7538
Fax: (1) 770 532 3896
e-mail: imca2@bellsouth.net

IMCA France

3 Square des Bouleaux
49300 Cholet
France
Phone (33) 2 4158 8148
Fax (33) 2 4171 9822
e-mail: bernard.cleon@free.fr

Global International BV

H. Figeeweg 4
2031 BJ Haarlem
tel: (31) 23-5319584
fax: (31) 23-5311022
e-mail: global@imca.net

Global Parts bv

H. Figeeweg 4B
2031 BJ Haarlem
tel: (31) 23-5425312
fax: (31) 23-5423422
e-mail: globalparts@planet.nl

QTY	NO PART NO.	DESCRIPTION	QTY	NO PART NO.
1	01 120C-1	ROD HOLDER	1	01 120C-20
1	02 120C-2	ROD	1	02 120C-20
1	03 120C-3	MIDDLE BAR HOUSING ROD	1	03 120C-20
1	04 120C-4	SCREW M3-1.0X12	2	04 120C-20
1	05 120C-5	SCREW SHLVA-10X10	2	05 120C-20
1	06 810-104	SCREW SHLVA-10X10	2	06 810-104
1	07 810-188-1	SCREW SHLVA-10X10	1	07 810-188-1