

GLOBAL

ZZ 1510 DD series

Parts book

Always switch off the electricity when working on
the machine.

主要技术规格 SPECIFICATIONS

使用	薄料到中厚料
缝纫速度※	最大 2000 s. p. m
缝制长度	前缝：5mm，倒缝：5mm
最大人字宽度	9mm
针杆行程	35mm
压脚提升高度	手动升：8mm，膝提升：13mm
机针	见目次 1 * 机针和线 *
润滑油	机油（白砂油）

※最大的速度是依靠面料、线和缝制条件。

Usage	Light to medium weight material
Sewing speed	Max 2000s p.m
Stitch length	Forward stitch:5mm Reverse stitch:5mm
Max stitch width	9 mm
Needle bar stroke	35 mm
Lift of presser foot	Hand lifter: 8 mm, Knee lifter:13mm
Needle	See page 1 for table on 'NEEDLE AND THREAD'
Lubricating oil	Machine oil (white spindle oil)

※ Maximum speed will very depending on fabrics threads and sewing condition

人字宽度和最大速度之间关系

RELATIONSHIP BETWEEN ZIG ZAG WIDTH AND MAXIMUM SPEED

人字宽度	0mm~5mm	5mm~9mm
最大速度	2000 s. p. m	1800 s. p. m
Ziazag width	0mm~5mm	5mm~9mm
Max speed	2000s. p. m	1800s. p. m

1. 机针和线

1. NEEDLE AND THREAD

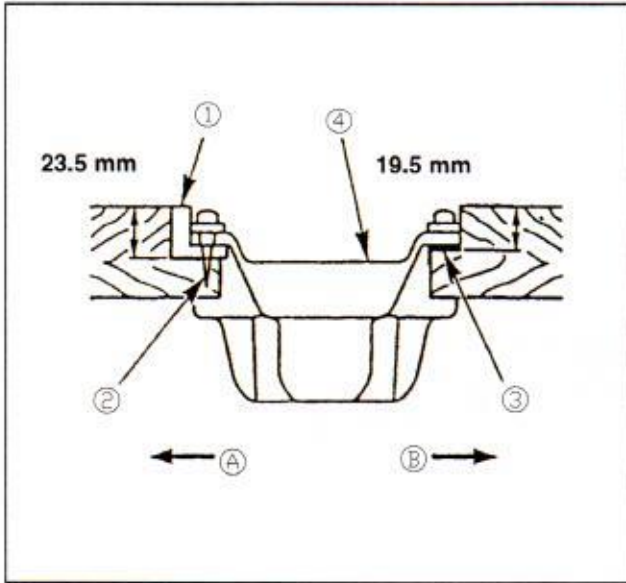
选择适当的机针不仅依靠机器型号而且也要考材料线的使用，适当的机针和线的尺寸去用在各种机器型号上，请参考以下的规格：

Selection of the proper needle depends not only on the machine model, but also on the material thread used, For selection of proper needle and thread sizes to be used on the various machine model, please refer to the table below

等级应用	薄料	中料	中厚料
最大线尺寸 合成物	120	60	30
机针尺寸	DP×17 #10	DP×17 #12~#16	DP×17 #18~#19
Application of class	For light-weight materials	For medium-weight materials	For medium-heavy wight materials
Max thread size (Nm)-Synthetic	120	60	30
Needle size	DP×17 #10	DP×17 #12~#16	DP×17 #18~#19

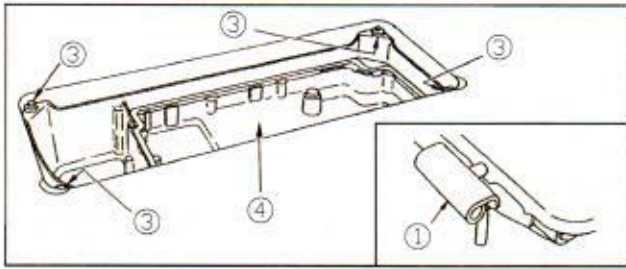
2. 缝纫机的安装

2. INSTALLATION OF SEWING MACHINES



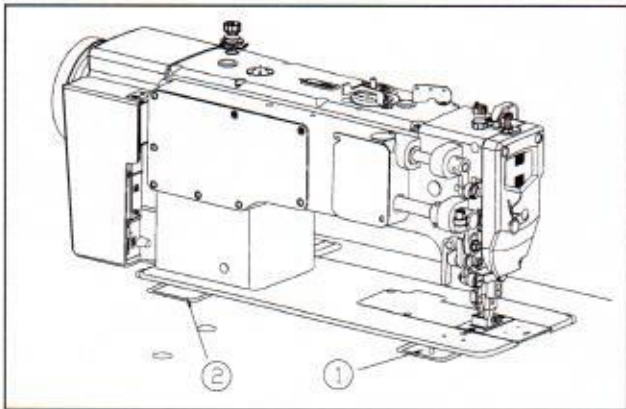
- 1) 把油槽支到机台槽的四角上。
- 2) 用螺丝钉②把前侧④的个机头部橡胶支座①钉到机台的伸出部，用粘合剂接固定好铰链侧⑤的2个机头部橡胶垫座③，然后把油槽④放上。

- 1) The oil pan should rest on the four corners of the machine table groove.
- 2) Two rubber seats ① for supporting the head portion on the operator side are fixed on the extended portion of the table by hitting the nail ② and the other two rubber cushion seats ③ on the hinge side are fixed by using a rubber-based adhesive. Then, oil pan ④ is placed.



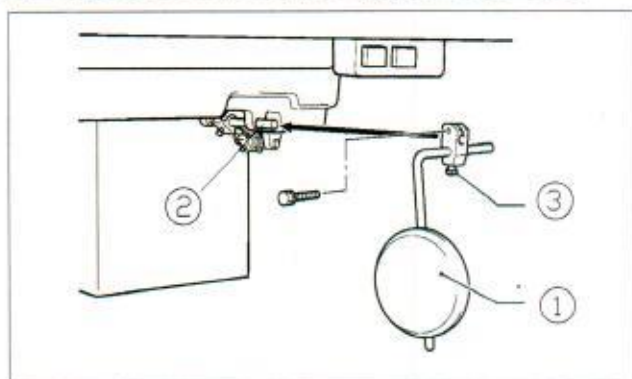
- 3) 把铰链①放到机台的孔上，对准台板橡胶支座②，把机头放到四角的机头胶垫③上。

- 3) Fit hinge①into the opening in the machine bed, and fit the machine head to table rubber hinge ② before placing the machine head on cushions ③ on the four corners.



2. 安装膝控抬压脚

2. INSTALLING THE KNEE LIFTER



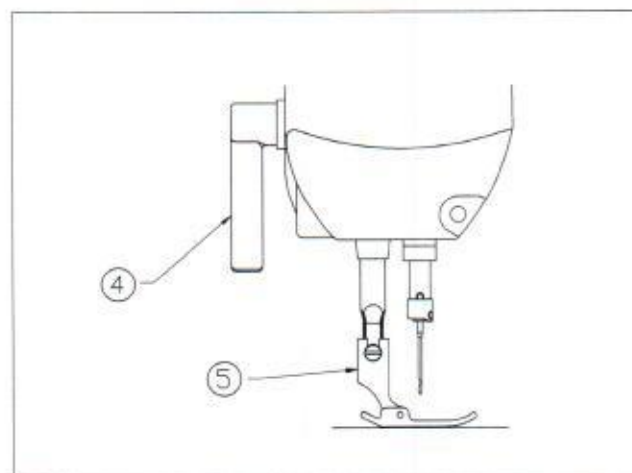
11. 膝控碰块

① 膝控碰块

② 螺栓

* 松开螺栓 ③，将膝控碰块 ①，移至易于使用的位置。

Insert the knee lifter assy. ① into the shaft ② under the oil pan, and slightly tight the screw ③.

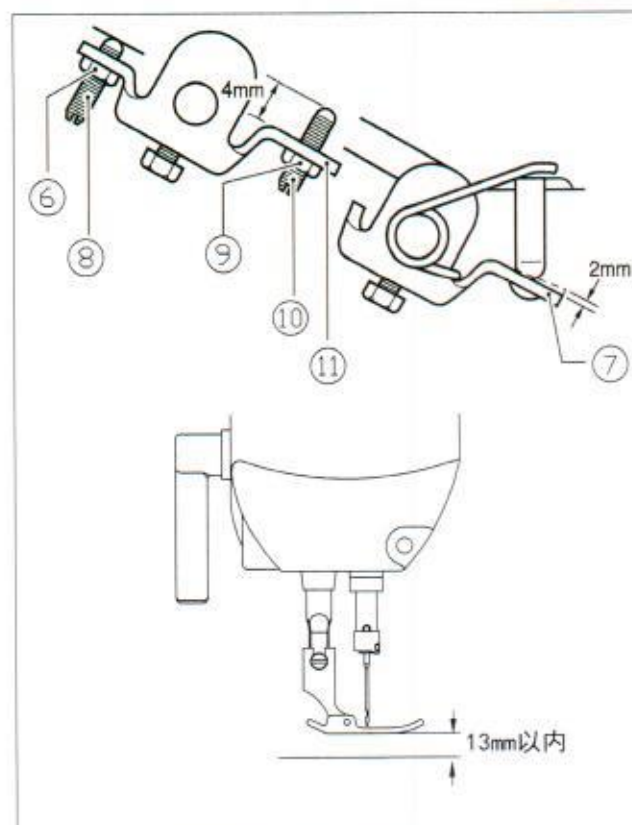


<调整抬压杠杆>

1. 转动手轮以便送布牙处于针板的下方。

2. 用压脚扳手 ④ 放下压脚 ⑤。

Turn the handwheel so that the feed teeth ④ are under the needle plate ⑤.



3. 松开螺母 ⑥。

4. 转动螺钉 ⑧ 进行调节，以使用手在轻压膝控碰块 ① 时抬压杠杆 ⑦ 游隙量约为 2mm。

5. 完成调节后，将拧紧螺母 ⑥。

6. 松开螺母 ⑨。

7. 转动螺钉 ⑩ 直至螺钉头与抬压杠杆 ⑪ 的间距约为 4mm。

8. 转动调节螺钉 ⑩ 进行调节，以便在完全压下膝控碰块 ① 时，压脚 ⑤ 处在针板上方 10mm 范围内的位置。

9. 完成调节后，将螺母 ⑨ 拧紧。

3. Loosen the nut ⑥.

4. Turn the screw ⑧ to adjust the bracket ⑦ to 2mm play.

5. Securely tighten the nut ⑥.

6. Loosen the nut ⑨.

7. Turn the screw ⑩ until the distance between the end of the screw and bracket ⑪ is approximately 4mm.

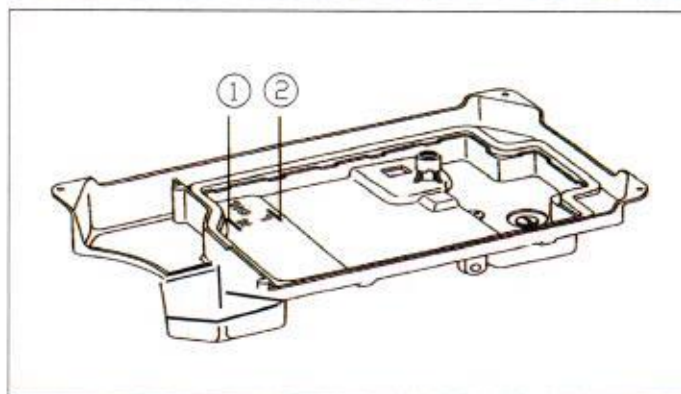
8. Turn the adjusting screw ⑩ to adjust, so that the presser foot ⑤ is at the desired position within a distance of 13mm above the needle plate.

9. After adjustment, tighten the nut ⑨.

3. 润滑油 3. LUBRICATION

* 注意：进行此步骤时，务必将电源关掉，马达确保停止转动，以避免不必要的危险！

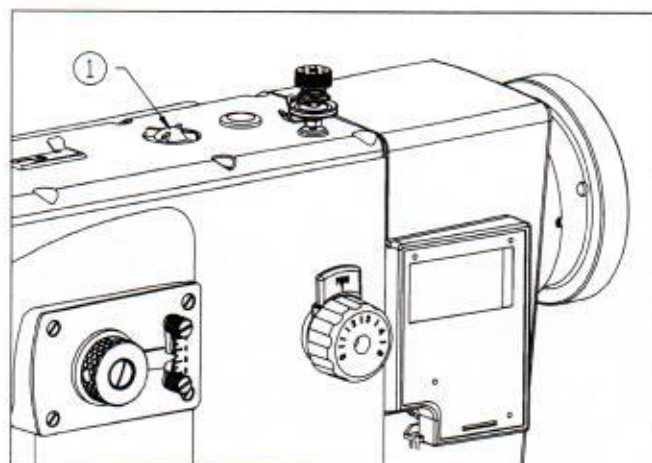
⚠ CAUTION TURN THE SWITCH OFF THE POWER SUPPLY TO PREVENT FROM UNEXPECTED INJURY. BE SURE TO CONFIRM THE STOP OF ROTATION OF THE MOTOR BEFORE OPERATIONS.



- 1) 把油注入标记线“H”①。
- 2) 当油杆到入在标注“L”②，再次注入油。
(使用油：白砂油)

- 1) Fill oil up to marker line “H” ①.
- 2) When the oil level drops under marker line “L” ②, refill it.
(Using oil is white spindle oil,)

4. 润滑油调节 4. LUBRICATION CONDITION



- 1) 操作缝纫机并确定散射油石在油槽里①。

- 1) Operate the sewing machine, and confirm the scattering oil at oily window ①.

5. 机针的安装 5. HOW TO INSTALL THE NEEDLE

* 注意：进行此步骤时，务必将电源关掉，马达确保停止转动，以避免不必要的危险！



CAUTION TURN THE SWITCH OFF THE POWER SUPPLY TO PREVENT FROM UNEXPECTED INJURY. BE SURE TO CONFIRM THE STOP OF ROTATION OF THE MOTOR BEFORE OPERATIONS.

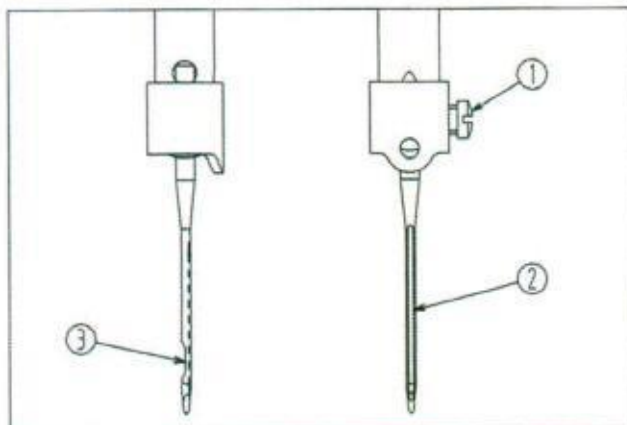
☆ 确保电机电源关闭

标准机针系统是“DPX17”。

- 1) 用手打开手轮并拿起针杆放在顶部位置
- 2) 松开螺丝①，把机针②插入到孔里面直到不能插到顶为止。
◇把机针插入在直接面对直立面的凹槽③。
- 3) 在机针上牢固的锁紧螺丝。

BE SURE TO POWER-OFF THE MOTOR. The normal needle system is ‘DPX17’.

- 1) Turn the handwheel by hand and raise the needle bar to its top position.
- 2) Loosen screw ① and insert the needle ② into the hole until it will go on further. Insert the needle with its recess ③ facing directly to rear side.
- 3) Securely tighten the screw in the needle



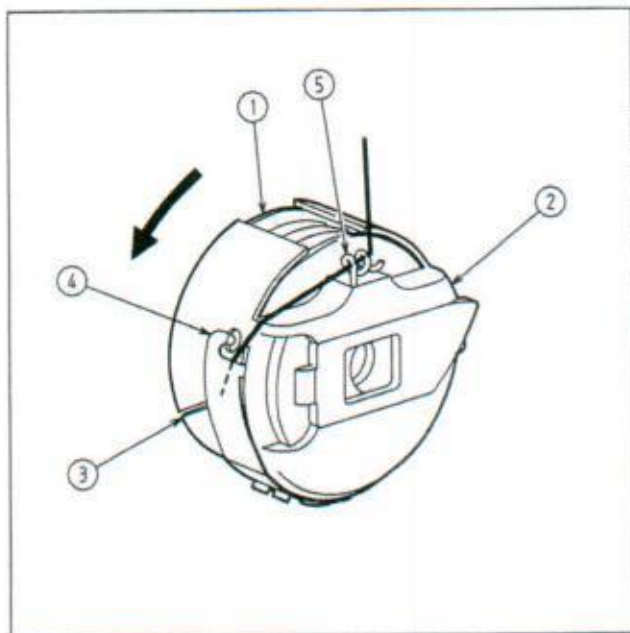
6. 旋梭的安装

6. HOW TO INSTALL THE BOBBIN

* 注意：进行此步骤时，务必将电源关掉，马达确保停止转动，以避免不必要的危险！



CAUTION TURN THE SWITCH OFF THE POWER SUPPLY TO PREVENT FROM UNEXPECTED INJURY. BE SURE TO CONFIRM THE STOP OF ROTATION OF THE MOTOR BEFORE OPERATIONS.



- 1) 把梭芯①放进梭壳里面②。
- 2) 把线穿过线槽③并压住梭壳拉力弹簧的凹槽④。
- 3) 把线尾穿过梭壳的导线器⑤并把它拉出约40mm。

注意：在梭线已经拉出时，安装锁壳的旋梭比便按照箭头的方向打开。

- 1) Put the bobbin ① into the bobbin case ②.
- 2) Pass the thread through the threading groove ③ and notch ④ of tensionspring in the bobbin case.
- 3) Pass the end of thread through bobbin case thread guide ⑤ and pull it a length of about 40mm.

CAUTION: Fit the bobbin in the bobbin case so that the bobbin turns the direction of the arrow when the bobbin thread is pulled.

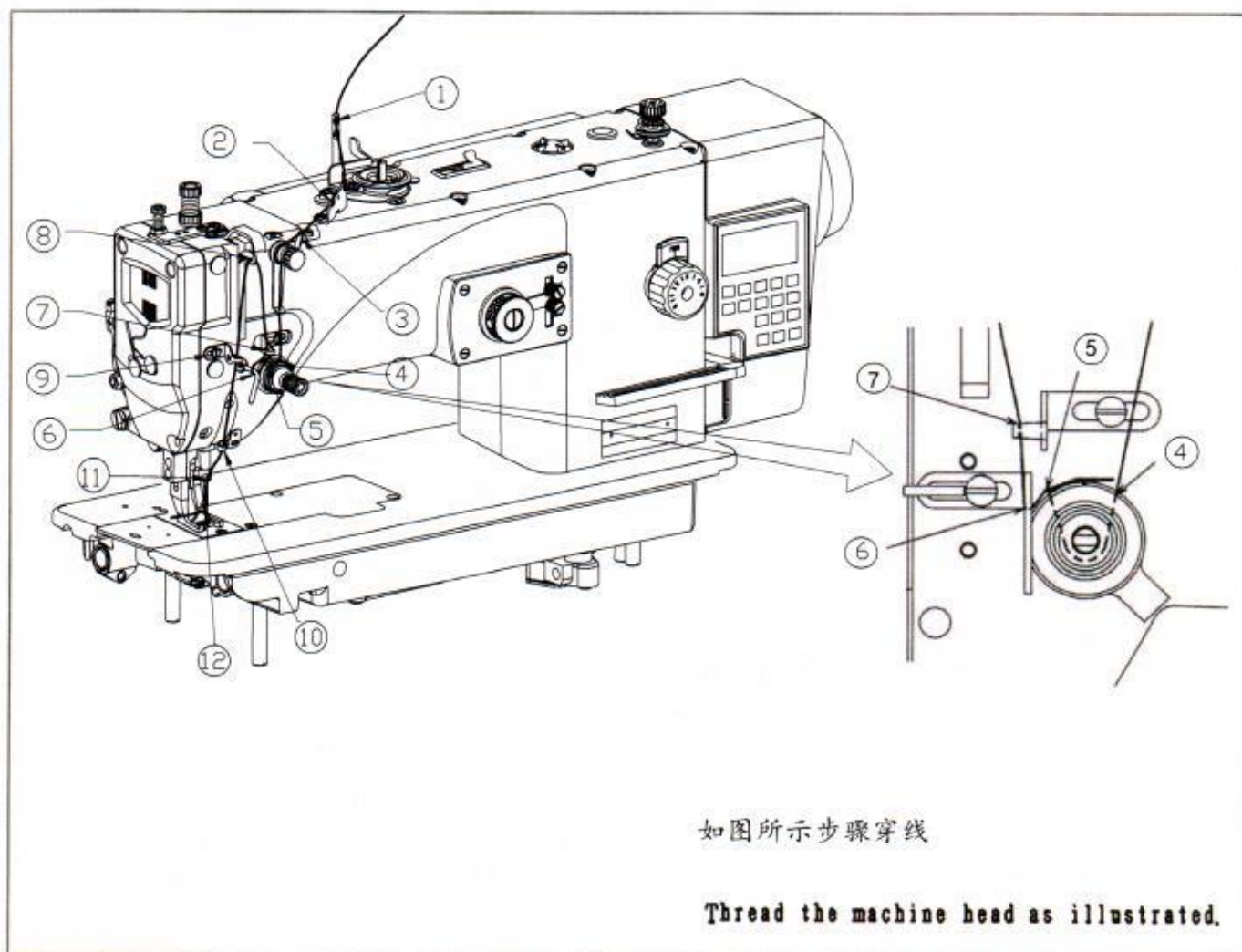
7. 机器穿线

7. HOW TO THREAD THE MACHINE HEAD

* 注意：进行此步骤时，务必将电源关掉，马达确保停止转动，以避免不必要的危险！

⚠ CAUTION

TURN THE SWITCH OFF THE POWER SUPPLY TO PREVENT FROM UNEXPECTED INJURY. BE SURE TO CONFIRM THE STOP OF ROTATION OF THE MOTOR BEFORE OPERATIONS.



如图所示步骤穿线

Thread the machine head as illustrated.

8. 调整缝制长度

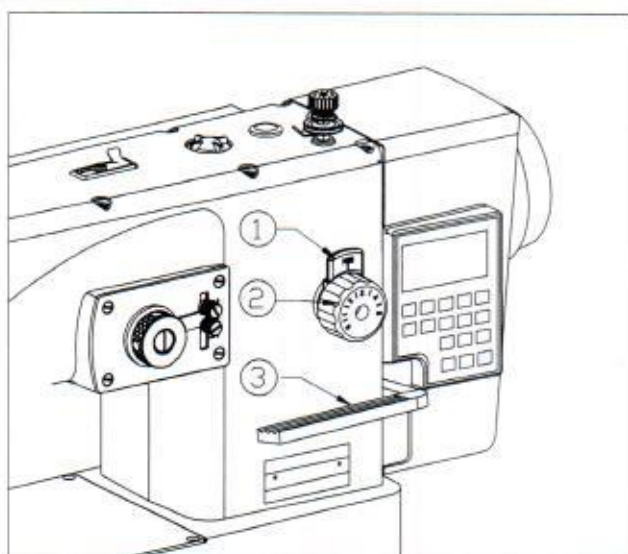
8. ADJUSTING THE STITCH LENGTH

* 注意：进行此步骤时，务必将电源关掉，马达确保停止转动，以避免不必要的危险！



CAUTION

TURN THE SWITCH OFF THE POWER SUPPLY TO PREVENT FROM UNEXPECTED INJURY. BE SURE TO CONFIRM THE STOP OF ROTATION OF THE MOTOR BEFORE OPERATIONS.



1) 推动针距按钮①，打开刻度盘②。

◇ 怎么倒送料缝制。

1) 把倒缝扳手③压下。

2) 只要压住倒缝扳手机器就可以倒送料缝制。

3) 松开杆时，机器恢复后标准缝制状态。

1) Push the stopper plate ①, and turn the dial ②.

◇ How to engage the reverse feed stitching

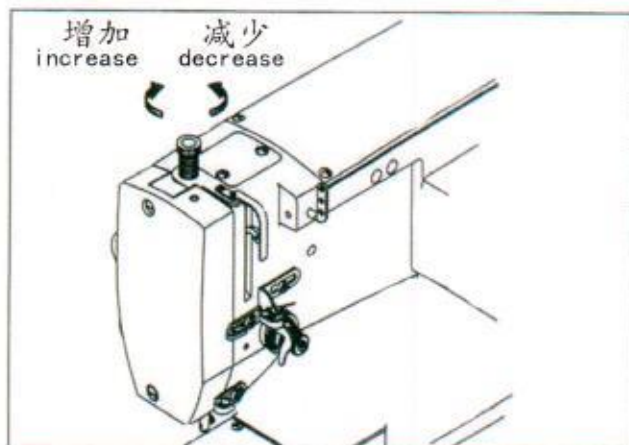
1) Push feed lever ③ down.

2) The machine perform revers feed stitching as long as the lever is held depressed.

3) The moment you release to leve, the machine resumes the normal stitching mode.

9. 调节压脚压力

9. ADJUSTING THE PRESSER FOOT PRESSURE



1) 向右转动压力调节器增加压力，向左转动减少压力。

1) Turn the presser spring regulator to the right to increase and to left to decrease pressure.

10. 线张力调节 10. THREAD TENSION

* 注意：进行此步骤时，务必将电源关掉，马达确保停止转动，以避免不必要的危险！



CAUTION TURN THE SWITCH OFF THE POWER SUPPLY TO PREVENT FROM UNEXPECTED INJURY. BE SURE TO CONFIRM THE STOP OF ROTATION OF THE MOTOR BEFORE OPERATIONS.

1) 调节沙拉组

顺时针转动沙拉组销①增加线的张力或逆时针转动减少线的张力

2) 调节旋梭线张力

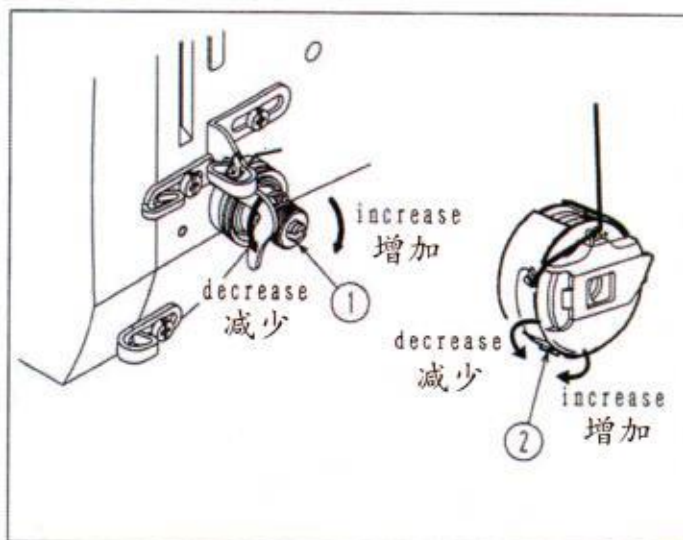
顺时针转动张力螺丝②增加线的张力，逆时针转动减少旋梭线的张力

1) Adjusting the needle thread tension

Turn the thread tension nut ① clockwise to increase or counter clockwise to decrease the needle thread tension.

2) Adjusting the bobbin thread tension

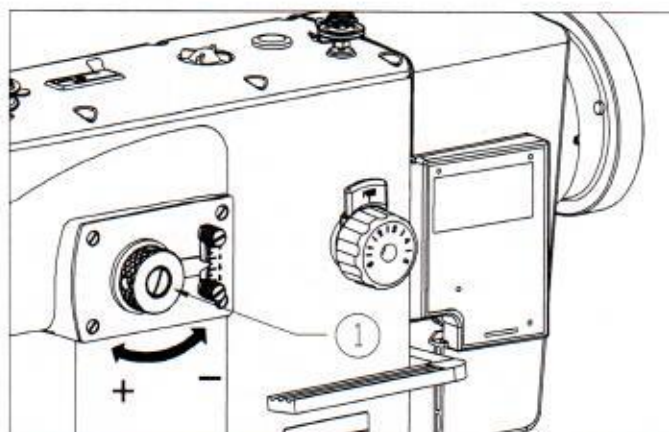
Turn the tension screw ② clockwise to increase or counterclockwise to decrease the bobbin thread tension.



11. 缝目宽度调节器 11. STITCH WIDTH REGULATOR

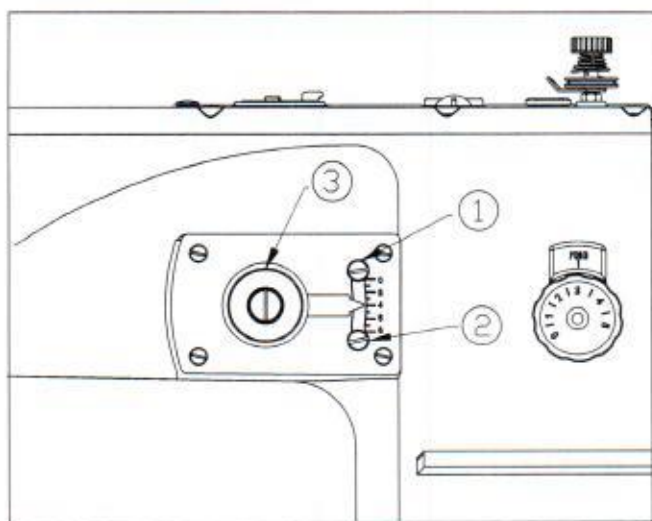
The width of zigzag stitch is controlled with biased wttch width regukating dial ①.

Do not make any needle position adjustmeny while the needle is in the fabric.



12. 如何控制人字缝目宽度

12. HOW TO CONTROL THE WIDTH OF ZIGZAG STITCH



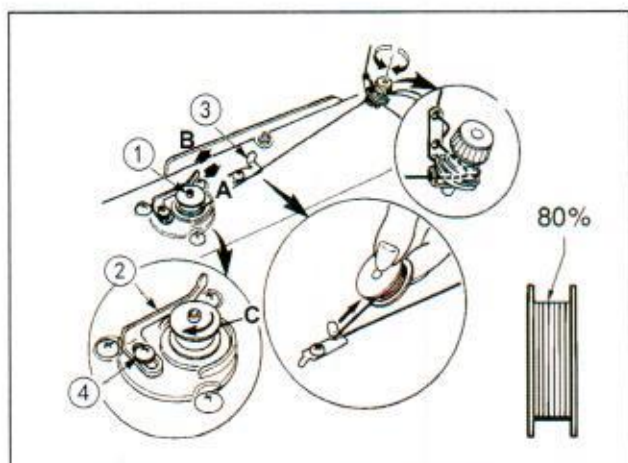
为了控制人字车缝的最小和最大值，首先松开螺丝①，缝目调节器③开始可以调节，转动到最小位置，然后锁紧螺丝①。松开螺丝②，转动到最大位置，然后锁紧螺丝②。此时你可以控制缝目的调节，或者在0到9mm的范围内调节。

To obtain minimum to maximum width zigzag stitcher, first loosen thumb screw ①, to permit the stitch width regulator ③, to return to its minimum position and retighten thumb screw ①.

Then loosen thumb screw ②, to return to its maximum position and retighten thumb screw ②.

You can now regulate the stitch width regulator within the range of zero to 9mm.

13. 底线卷绕方法



- 1) 把梭心推到卷线轴①的最里面。
- 2) 把线架右侧的卷线如图所示穿线，并把线端向右缠绕数圈。

(铝旋梭时，把线端向右缠绕后，再把线张力盘过来的线向左缠绕数圈后，就容易绕线了。)

- 3) 把卷线拨杆②推到A方向，转动缝纫机。梭心向C方向转动，线卷绕到梭心上。卷绕结束后卷线轴①自动停止。
- 4) 取下梭心，用切线保持板③切断机线。
- 5) 调整底线卷线量时，请拧松固定螺丝④，把卷线杆②移动到A方向或B方向，然后再拧紧固定螺丝④。

A方向：变少

B方向：变多

注意：

请将绕线量控制在梭芯容量的80%。

- 1) Insert the bobbin deep into the bobbin winder spindle ① until it will go no further.
- 2) Pass the bobbin thread pulled out from the spool rested on the right side of the thread stand following the order as shown in the figure on the left. Then, wind the end of the bobbin thread on the bobbin several times.
- 3) Press the bobbin winder trip latch ② in the direction of A and start the sewing machine. The bobbin rotates in the direction of C and the bobbin thread is wound up. The bobbin winder spindle ① will automatically stop as soon as the winding is finished.
- 4) Remove the bobbin and cut the bobbin thread with the thread cut retainer ③.
- 5) To adjust the winding amount of the bobbin thread, loosen the setscrew ④ and move the bobbin winder trip latch ② to the direction A or B. Then, tighten the setscrew ④.
To the direction A : Decrease
To the direction B : Increase

13. 机针与旋梭的关系

13. NEEDLE-TO-HOOK RELATIONSHIP

* 注意：进行此步骤时，务必将电源关掉，马达确保停止转动，以避免不必要的危险！

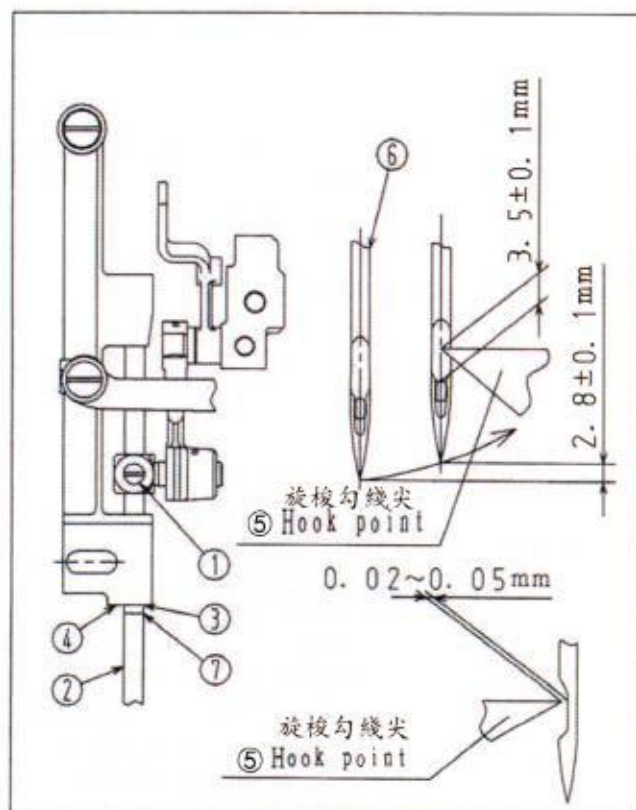
CAUTION TURN THE SWITCH OFF THE POWER SUPPLY TO PREVENT FROM UNE-EXPECTED INJURY. BE SURE TO CONFIRM THE STOP OF ROTATION OF THE MOTOR BEFORE OPERATIONS.

依下列方式将针杆设定在合适的高度然后

- 1) 移除针板。
- 2) 设定缝目调节器为垂直状态。
- 3) 朝操作者方向转动手轮直到机针到达最低位置。
- 4) 松开机针杆螺丝①，此时只有针杆②可以自由的上下移动。
- 5) 按要求向上或下移动针杆②使其上部的计时刻度③与针杆夹④底部对齐，然后安全锁紧针杆螺丝①。

依下列方式调节机针与旋梭的时间

- 1) 在机针处于中间位置时设定机器为垂直车缝状态。
- 2) 依次调节，当机杆上升2.8mm位置时，旋梭尖⑤接触机针⑥的中间部位，此时锁紧旋梭的固定螺丝。（此时调节的粗略指示，针杆上的刻度线⑦与摆针架底面④对齐。）是粗略的指示。
- 3) 调节机针⑥与旋梭尖⑤之间间隙在0.02~0.05mm之间。



◇Set the needle bar at the proper height first as follows

- 1) Remove face plate.
- 2) Set stitch width regulator for straight stitching.
- 3) Turn machine pulley over toward you until needle descends to its lowest position.
- 4) Loose needle bar screw 1 so that only the needle bar 2 will move up and down freely.
- 5) Move needle bar 2 up or down as required, and align upper timing mark 3 with under side of needle bar frame 4. then securely tighten needle bar set screw 1.

◇Adjust the timing between the needle and the hook as follows

- 1) Set machine for straight stitching at center needle position.
- 2) Adjust so that, when the needle bar goes up to 2.8mm above its lowest position, hook point 5 nearly meets the center of needle 6. Then tighten hook setscrew (As a rough indication of this adjustment, marker line 7 on needle bar aligns with the bottom face of the needle bar frame 4.)
- 3) Adjust the clearance between needle 6 and hook point 5 to 0.02 to 0.05mm.

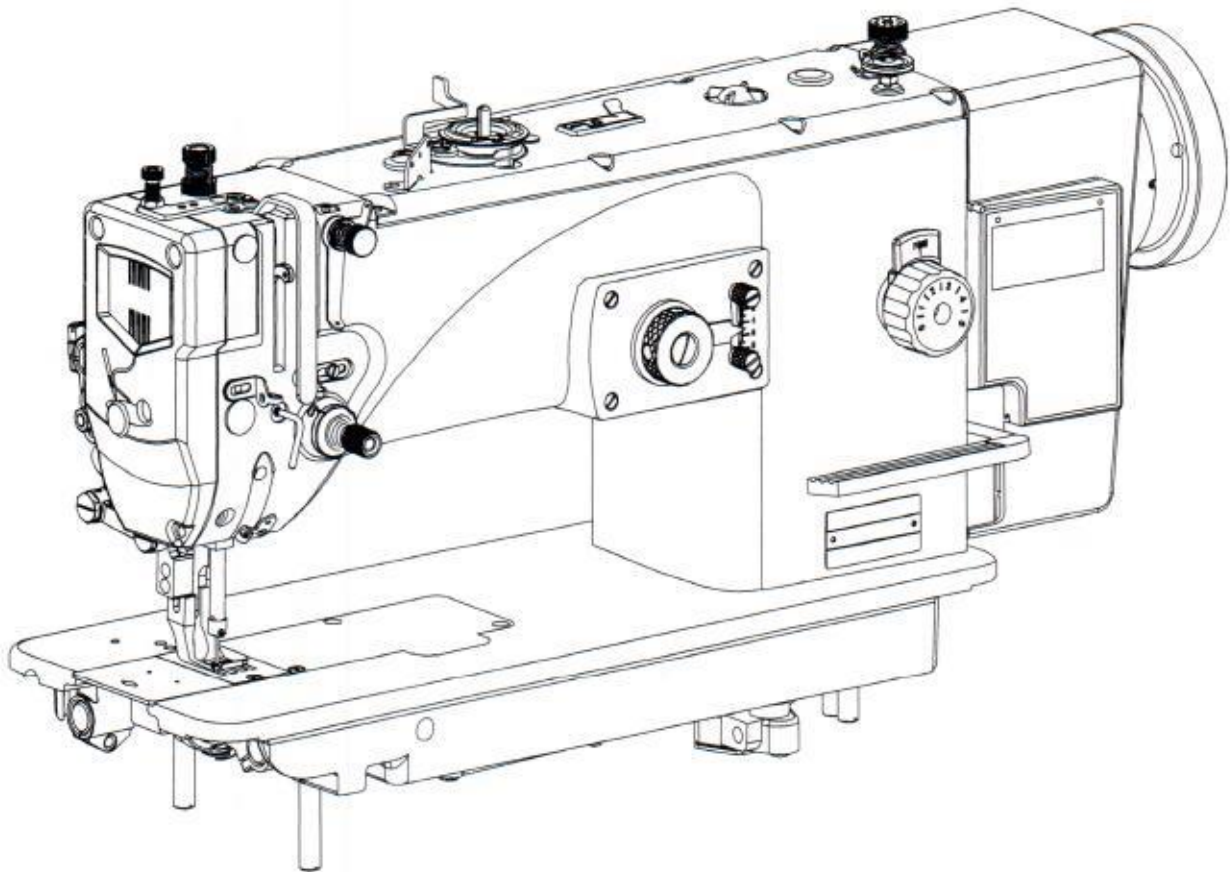
14. 常见问题故障排除

问题	原因	解决方案
上线断裂	<ol style="list-style-type: none"> 1. 穿线是否正确? 2. 过线器及调节区域线头是否清除? 3. 面线张力是否太紧? 4. 机针是否弯曲或机针尖锐化? 5. 机针是否安装正确? 6. 对于工作材质及线的规格, 及所用机针是否正确? 7. 线有无打结搓捻? 	<ol style="list-style-type: none"> 1. 更正穿线 2. 将线头及毛球从旋梭壳及旋梭中移除 3. 调节面线张力 4. 更换机针 5. 从新正确安装机针 6. 更换适用规格的机针及线 7. 将打结搓捻的线去除
底线断裂	<ol style="list-style-type: none"> 1. 底线穿线是否正确? 2. 底线卡住或缠线? 3. 底线张力是否正确? 4. 旋梭运转是否平衡? 	<ol style="list-style-type: none"> 1. 从新传底线 2. 从锁壳夹线弹簧片将卡线解除 3. 调整底线张力 4. 检查旋梭绕线线有无正确
车线跳针	<ol style="list-style-type: none"> 1. 机针安装是否正确? 2. 机针是否弯曲或机针尖锐化? 3. 机针与线的要求是否符合? 4. 上线穿线是否正确? 	<ol style="list-style-type: none"> 1. 从新正确安装机针 2. 更换新机针 3. 选配适合工作材料的机针 4. 更正穿线动作顺序
断机针	<ol style="list-style-type: none"> 1. 机针安装是否正确? 2. 机针是否弯曲或机针尖锐化? 3. 机针与线的要求是否符合? 4. 锁机针螺丝是否脱落? 5. 车缝中物料有无被拉住? 	<ol style="list-style-type: none"> 1. 从新正确安装机针 2. 更换新机针 3. 选配适合工作材料的机针 4. 锁紧锁机针螺丝 5. 车缝中不要将物料拉住
布料无法送料	<ol style="list-style-type: none"> 1. 送料调节盘是否过度调节? 2. 压脚压力是否有适度调节? 	<ol style="list-style-type: none"> 1. 转动送料调节盘加长缝目长度 2. 加强压脚压力
布料起皱	<ol style="list-style-type: none"> 1. 机针安装是否正确? 2. 机针是否弯曲或机针尖锐化? 3. 线张力是否太紧? 	<ol style="list-style-type: none"> 1. 更正穿线顺序 2. 更换机针 3. 适度调整线张力
回转噪音大	<ol style="list-style-type: none"> 1. 送料齿处是否有线头或毛球? 2. 旋梭中是否有线头? 	<ol style="list-style-type: none"> 1. 清除送料齿处线头毛屑 2. 清除旋梭中的线头毛屑
机器无法启动	<ol style="list-style-type: none"> 1. 电源插头是否有连接电源? 2. 电源开关是否在ON的位置? 	<ol style="list-style-type: none"> 1. 将插头连接电源 2. 电源开关激活在ON位置

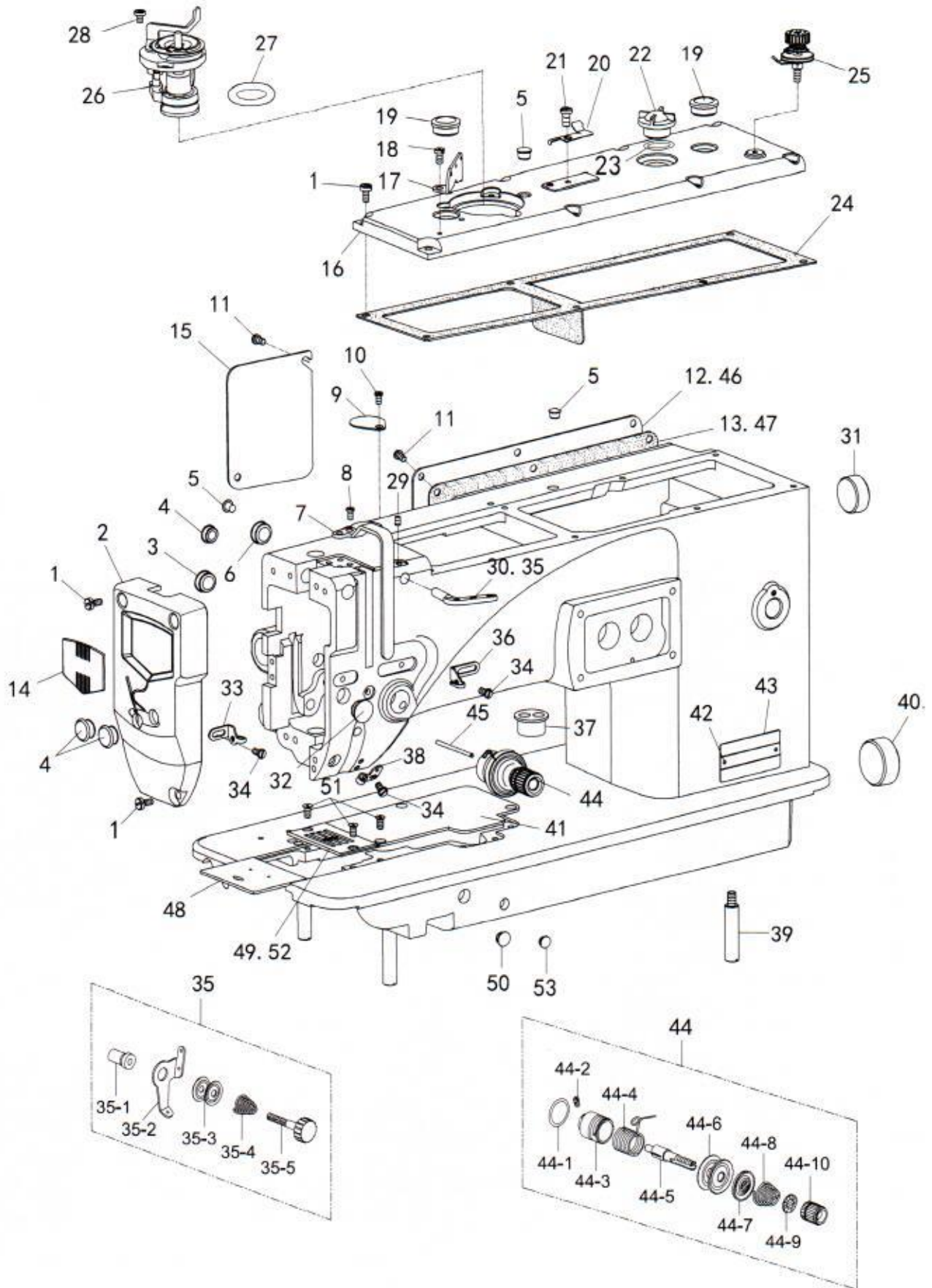
14. TROUBLESHOOTING CHART

Problem	Cause	Solution
Needle thread break	1. Is machine properly threaded	1. Correct needle threading
	2. Are thread guides or tension discs lint-free?	2. Remove lint and fluff in bobbin case and foot
	3. Is needle-thread tension too tight?	3. Adjust needle thread tension
	4. Is needle bent or have a blunt point?	4. Replace the new needle
	5. Is needle inserted correctly?	5. Insert needle correctly
	6. Is needle the correct size for thread and fabric?	6. Select proper needle size and thread
	7. Is thread free of slubs and knots?	7. Remove slubs and knots
Bobbin thread breaks	1. Is bobbin threading correct?	1. Correct bobbin threading
	2. Is thread tangled or caught?	2. Untangle thread from bobbin case thread tension
	3. Is thread tension correct?	3. Adjust needle and bobbin case thread tension
	4. Does bobbin rotate smoothly?	4. Check correctly
Stitches skip	1. Is needle inserted correctly?	1. Insert needle correctly
	2. Is needle bent or have blunt needle point?	2. Replace the new needle
	3. Is size of needle and thread suitable for fabric?	3. Select proper needle size and thread
	4. Is threading correct?	4. Correct needle threading
Needle breaks	1. Is needle properly inserted?	1. Insert needle correctly
	2. Is needle bent?	2. Replace the new needle
	3. Is needle the correct size for the fabric?	3. Select proper needle and thread for fabric
	4. Is needle clamping screw loose?	4. Tighten needle set screw
	5. Is the fabric pulled while sewing?	5. Do not pull fabric while sewing
Fabric fails to feed	1. Is feed regulating dial properly adjusted?	1. Lengthen stitch length by feed regulating dial
	2. Is presser foot pressure adjusted properly?	2. Increase presser foot pressure
Fabric puckers	1. Is needle threading correct?	1. Correct needle threading
	2. Is needle point blunt?	2. Replace the new needle
	3. Is thread tension too tight?	3. Adjust needle tension properly
Rotating heavy noisy	1. Is there any lint or fluff on feed dog?	1. Remove lint and fluff from feed dog
	2. Is there any lint in rotating hook?	2. Remove lint and fluff from rotating hook
Machine fails to start	1. Are electrical plugs properly connected?	1. Connect plug to power source
	2. Is power and light switch turned on?	2. Turn on power switch

Parts Manual



1. 机壳分组件/Machine boby

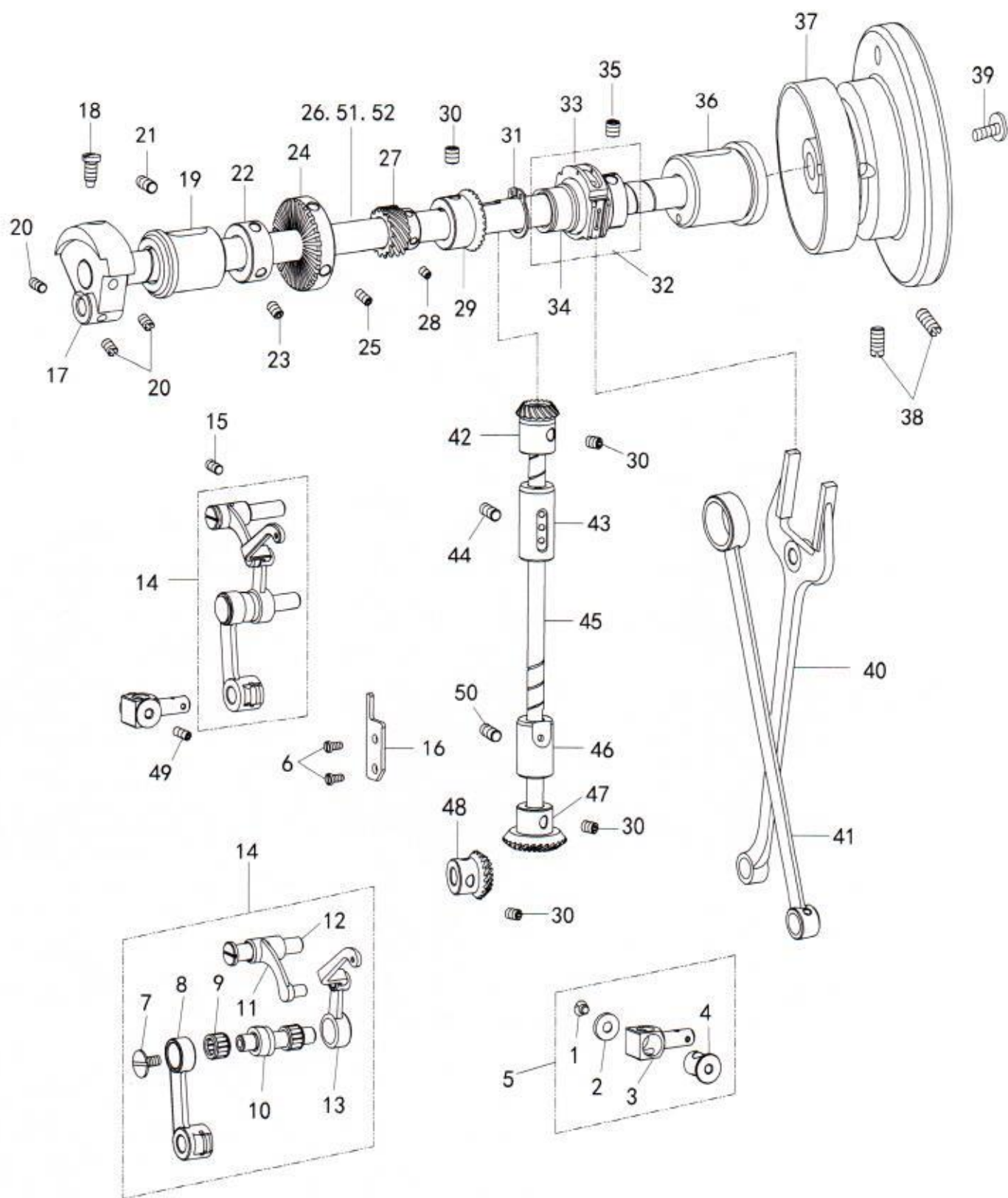


1. 机壳分组件/Machine body

序号 No.	图号 Part No.	名称	DESCRIPTION	数量 QTY	备注 Remark
1	15121-001	螺丝11/64-40 L=10	Screw 11/64-40 L=10	11	
2	15121-002	面板	Face plate	1	
3	15121-003	橡皮塞	Rubber plug Ø10.8x5	1	
4	15121-004	橡皮塞	Rubber plug Ø11.8x5	3	
5	15121-005	橡皮塞	Rubber plug Ø8.8x5	10	
6	15121-006	橡皮塞	Rubber plug Ø15.5x5	1	
7	15121-007	挑线杆防护罩	Thread take-up lever cover	1	
8	15121-008	螺丝11/64-40 L=8	Screw 11/64-40 L=8	2	
9	15121-009	挡板	Plate	1	
10	15121-010	螺丝11/64-40 L=5	Screw 11/64-40 L=5	1	
11	15121-011	螺丝3/16-28 L=9	Screw 3/16-28 L=9	10	
12	15121-012	后窗板	Side plate	1	
13	15121-013	后窗板垫	Gasket	1	
14	15121-014	面板贴	Face plate	1	
15	15121-015	侧板	Side plate	1	
16	15121-016	顶盖	Top_cover	1	
17	15121-017	三孔线勾	Thread retainer	1	
18	15121-018	螺丝3/16-28 L=6	Screw 3/16-28 L=6	1	
19	15121-019	橡皮塞	Rubber plug Ø18.8x6	2	
20	15121-020	割线刀	Cutter	1	
21	15121-021	螺丝3/16-28 L=6	Screw 3/16-28 L=6	1	
22	15121-022	油窗	Oil sight window	1	
23	15121-023	油窗O型圈	Rubber ring	1	
24	15121-024	顶盖垫	Top_cover_packing	1	
25	15121-025	底线夹线器	Bobbin thread tension	1	
26	15121-026	绕线器	Bobbin winder	1	
27	15121-027	绕线器O型圈	Rubber ring	1	
28	15121-028	螺钉3/16-32 L=7	Screw 3/16-32 L=7	3	
29	15121-029	螺丝11/64-40 L=6	Screw 11/64-40 L=6	1	
30	15121-030	三眼线勾	Thread retainer	1	
31	15121-031	橡皮塞	Rubber plug Ø22.3x7	1	
32	15121-032	橡皮塞	Rubber plug Ø12.8x7.5	1	
33	15121-033	左线勾	Thread guide	1	
34	15121-034	螺丝9/64-40 L=7	Screw 9/64-40 L=7	3	
35	15121-035	小夹线器组件	Thread guide assy	1	02#
35-1	15121-0351	螺母	Pre-tension nut	1	02#
35-2	15121-0352	过线板	Thread guide	1	02#
35-3	15121-0353	夹线板	Tension disc	2	02#
35-4	15121-0354	弹簧	Tension spring	1	02#
35-5	15121-0355	调压螺丝	Adjusting screw	1	02#
36	15121-036	右线勾	Arm thread guide-Right	1	
37	15121-037	过线套	Magnet cord rubber	11	02#
38	15121-038	过线套	Rubber bushing	1	
39	15121-039	底板支柱	Bed screw stud	4	
40	15121-040	橡皮塞	Rubber plug Ø27x9	1	
41	15121-041	平板盖	Cover plate	1	02#
42	15121-042	型号牌铆钉	Pole	2	
43	15121-043	型号牌	Model plate	1	
44	15121-044	夹线器组件	Thread tension bracket assy.	1	
44-1	15121-0441	夹线器组件O型圈	O ring	1	
44-2	15121-0442	夹线器组件螺钉	Set screw	1	
44-3	15121-0443	夹线器组件调节座	Thread tension bracket	1	
44-4	15121-0444	夹线器组件挑线簧	Thread take-up spring	1	
44-5	15121-0445	夹线器组件夹线螺钉	Tension stud	1	
44-6	15121-0446	夹线器组件夹线板	Disc, tension	2	
44-7	15121-0447	夹线器组件松线板	Disc, presser	1	
44-8	15121-0448	夹线器组件夹线弹簧	Tension spring	1	
44-9	15121-0449	夹线器组件止动板	Stopper	1	
44-10	15121-044A	夹线器组件夹线螺母	Tension nut	1	
45	15121-045	松线辅钉	Tension release pin	1	
46	15121-046	后盖板	Side plate	1	02#
47	15121-047	后盖板垫	Gasket	1	02#
48	15121-048	推板部件	Side plate asm.	1	
49	15121-049	针板	Throat plate	1	
50	15121-050	橡皮塞	Rubber plug Ø11.8x5	1	
51	15121-051	螺丝	Screw 11/64-40 L=8	5	
52	15121-052	针板	Throat plate	1	02#
53	15121-053	橡皮塞	Rubber plug Ø8.8x5	1	

1...#02 FOR 1512AUT , 1522AUT , 1513AUT, 1523AUT/

2. 上轴. 竖轴. 挑线机构/Upper shaft mechanism

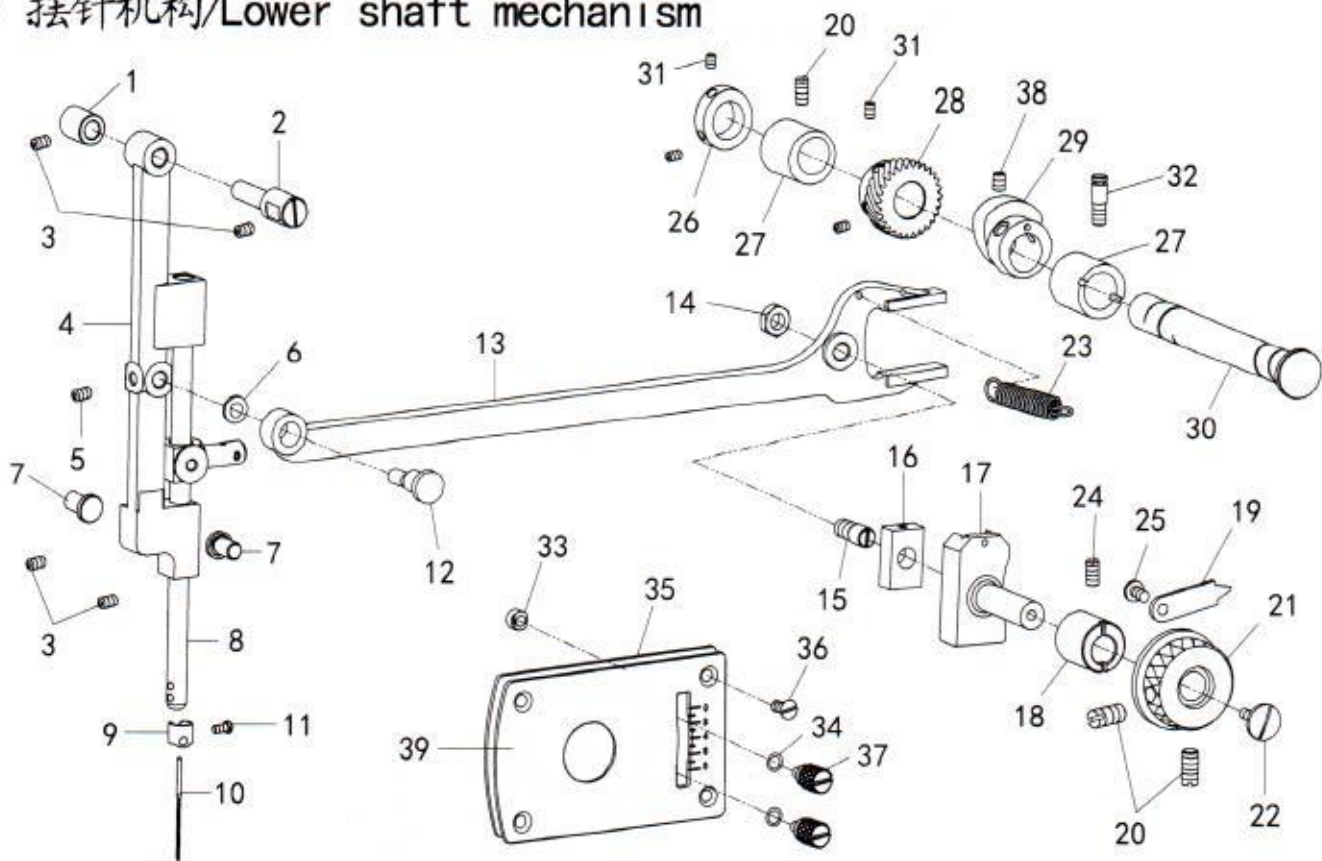


2. 上轴. 竖轴. 挑线机构/Upper shaft mechanism

序号 No.	图号 Part No.	名称	DESCRIPTION	数量 QTY	备注 Remark
1	15122-001	螺丝 11/64-40 L=3.5	Screw 11/64-40 L=3.5	1	
2	15122-002	垫片	Washer	1	
3	15122-003	针杆接头	Needle bar clamp	1	
4	15122-004	针杆接头销	Bush	1	
5	15122-005	针杆接头组件	Needle bar clamp assy	1	
6	15122-006	螺丝 11/64-40 L=6	Screw 11/64-40 L=6	2	
7	15122-007	1.螺丝 9/64-40 L=4.8	End screw left 9/64-40 L=4.8	1	
8	15122-008	针杆连杆	Needle bar crank rod	1	
9	15122-009	滚针轴承	Needle bearing	1	
10	15122-010	挑线曲柄	Needle bar crank	1	
11	15122-011	挑线连杆	Thread take-up bar	1	
12	15122-012	挑线连杆销	Thread take-up crank shaft	1	
13	15122-013	挑线连杆分组件	Thread take-up lever	1	
14	15122-014	挑线杆组件	Thread take-up lever ASM	1	
15	15122-015	螺丝15/64-28 L=13	Screw 15/64-28 L=13	1	
16	15122-016	针杆连杆导位块	Needle bar link guide	1	
17	15122-017	针杆曲柄	Thread take-up crank	1	
18	15122-018	螺丝9/32x28	Screw SM9/32x28	1	
19	15122-019	上轴前套	Upper shaft bush (front)	1	
20	15122-020	螺丝1/4-40 L=7	Screw 1/4-40 L=7	3	
21	15122-021	螺丝15/64-28 L=13	Screw 15/64-28 L=13	1	
22	15122-022	上轴挡圈	Collar	1	
23	15122-023	螺丝1/4-40 L=8	Screw 1/4-40 L=8	2	
24	15122-024	绕线摩擦轮	Friction wheel	1	
25	15122-025	螺丝11/64-40 L=6	Screw 11/64-40 L=6	2	
26	15122-026	上轴	Upper shat	1	
27	15122-027	摆针传动齿轮(上)	Bevel gear(upper)	1	
28	15122-028	螺丝11/64-40 L=4	Screw 11/64-40 L=4	2	
29	15122-029	上轴齿轮 Z=3	Upper shaft bevel gear	1	
30	15122-030	螺丝1/4-40 L=6	Screw 1/4-40 L=6	2	
31	15122-031	轴用挡圈	Retaining ring	1	
32	15122-032	送布偏心轮组件	Feed eccentric cam ASM	1	
33	15122-033	牙叉滑块	Silde rlock	1	
34	15122-034	抬牙送布偏心轮	Feed eccentric cam	1	
35	15122-035	螺丝15/64-28 L=8	Screw 15/64-28 L=8	2	
36	15122-036	上轴后套	Upper shaft bush (rear)	1	
37	15122-037	上轮	Hand wheel	1	
38	15122-038	螺丝15/64-28 L=13	Screw 15/64-28 L=13	2	
39	15122-039	螺丝11/32-28 L=13	Screw SM11/32-28 L=13	1	
40	15122-040	送布传动牙叉	Feed dog fork	1	
41	15122-041	抬牙连杆	Connecting rod	1	
42	15122-042	竖轴上齿轮 Z=22	Vertical shaft bevel gear(upper)	1	
43	15122-043	竖轴上套	vertical shaft bush(upper)	1	
44	15122-044	螺丝15/64-28 L=6	Screw 15/64-28 L=6	1	
45	15122-045	竖轴	vertical shaft	1	
46	15122-046	竖轴下套	vertical shaft bush(lower)	1	
47	15122-047	竖轴下齿轮 Z=28	Vertical shaft bevel gear(lower)	1	
48	15122-048	下轴右齿轮 Z=21	Lower shaft bevel gear	1	
49	15122-049	螺丝11/64-40 L=6	Set Screw 11/64-40 L=6	1	
50	15122-050	螺丝15/64-28 L=10	Screw 15/64-28 L=10	1	
51	15122-051	上轴	Upper shat	1	#02
52	15122-052	上轴	Upper shat	1	#03

1...#02 FOR1512AUT, 1512DD, 1513AUT, 1513DD / 2...#03 FOR1522AUT, 1522DD 1523AUT, 1523DD/

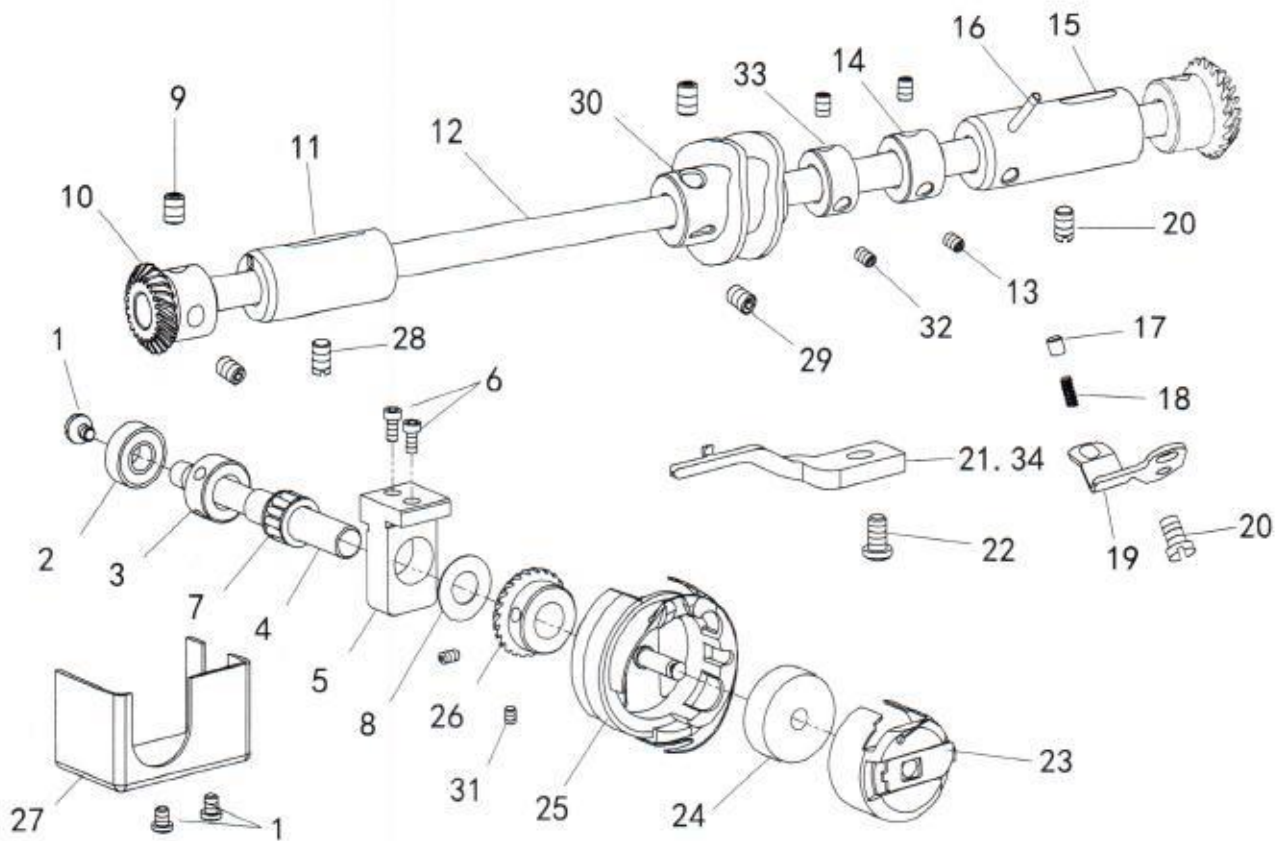
3 摆针机构/Lower shaft mechanism



3. 摆针机构/Lower shaft mechanism

序号 No.	图号 Part No.	名称	DESCRIPTION	数量 QTY	备注 Remark
1	15123-001	摆针架悬吊轴套	Needle bar frame pin bush	1	
2	15123-002	摆针架悬吊轴	Needle bar frame pin	1	
3	15123-003	螺丝 11/64-40 L=6	Screw 11/64-40 L=6	1	
4	15123-004	摆针架	Needle bar frame	1	
5	15123-005	螺丝 11/64-40 L=6	Screw 11/64-40 L=6	1	
6	15123-006	垫片 W5*10*1 Washer	W5*10*1 Washer	1	
7	15123-007	摆针架下挡套	Needle bar frame position	1	
8	15123-008	针杆	Needle bar	1	
9	15123-009	针杆过线环	Needle bar thread guide	1	
10	15123-010	机针	Needle	1	
11	15123-011	螺丝 1/8-44 L=4.5	1/8-44 L=4.5	1	
12	15123-012	偏心销	Pin	1	
13	15123-013	摆针传动二叉	Feed dog fork	1	
14	15123-014	螺母 9/32-28 L=4	Nut 9/32-28 L=4	1	
15	15123-015	传动二叉滑块轴	Screw 9/32-28	1	
16	15123-016	传动二叉滑块	Slide block	1	
17	15123-017	传动二叉滑块座	Regulator	1	
18	15123-018	传动二叉滑块座套	Regulator bush	1	
19	15123-019	摆幅指针	Indicator	1	
20	15123-020	螺丝 15/64-28 L=10	Screw 15/64-28 L=10	1	
21	15123-021	摆幅手转轮	Dial	1	
22	15123-022	螺丝 3/16-28 L=8	Screw 11/64-40 L=8	1	
23	15123-023	摆针传动二叉拉簧	Spring holder	1	
24	15123-024	螺丝 15/64-28 L=11	Screw 15/64-28 L=11	1	
25	15123-025	螺丝 11/64-40 L=7	Screw 11/64-40 L=7	1	
26	15123-026	摆针传动轴挡圈	Collar	1	
27	15123-027	摆针传动轴套	Bush	2	
28	15123-028	摆针传动齿轮(下)	Bevel gear(down)	1	
29	15123-029	摆针传动偏心轮	Cam	1	
30	15123-030	摆针传动轴	Shaft	1	
31	15123-031	螺丝 11/64-40 L=4	Screw 11/64-40 L=4	4	
32	15123-032	挂簧螺丝 15/64-28	15/64-28	1	
33	15123-033	螺母 11/64-40 L=3.5	11/64-40 L=3.5	2	
34	15123-034	O型圈 Rubber ring	Rubber ring	2	
35	15123-035	板垫	Gasket	1	
36	15123-036	螺丝 11/64-40 L=7	Screw 11/64-40 L=7	4	
37	15123-037	压花螺丝 11/64-40	11/64-40	2	
38	15123-038	螺丝 15/64-28 L=7	Screw 15/64-28 L=7	2	
39	15123-039	摆幅指示板	Graduated plate	1	

4. 下轴、梭轴机构/Hook mechanism

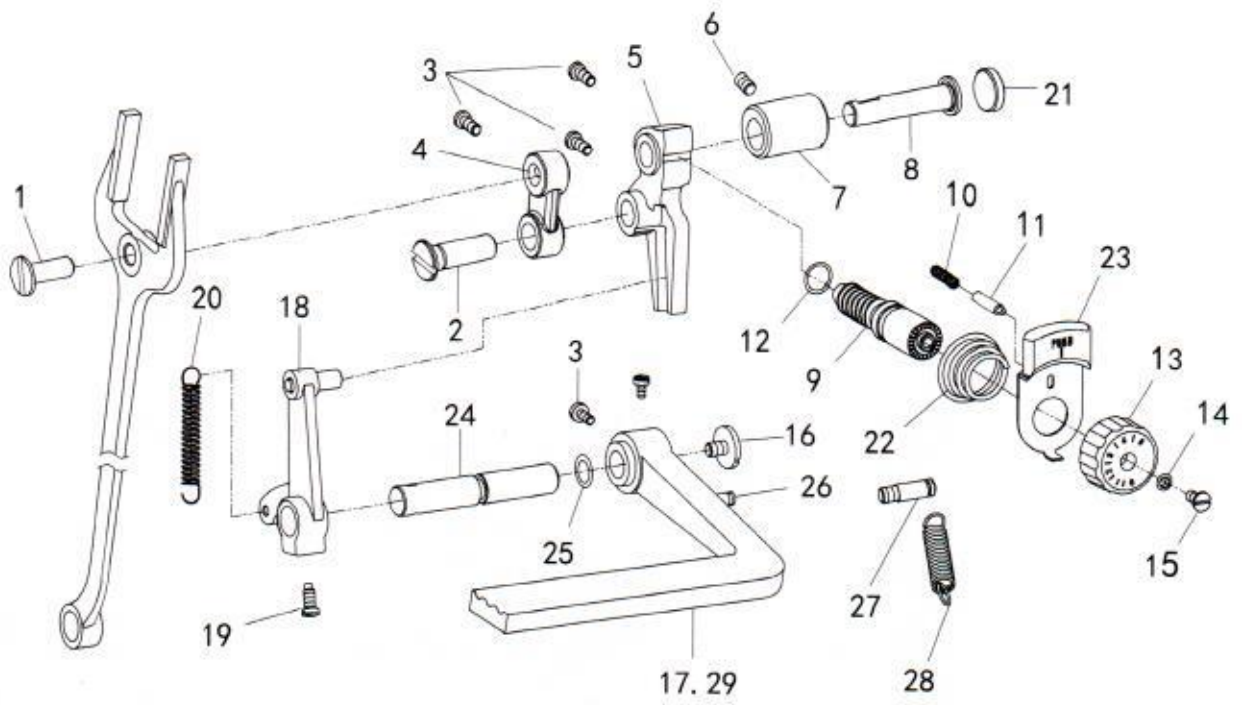


4. 下轴、梭轴机构/Hook mechanism

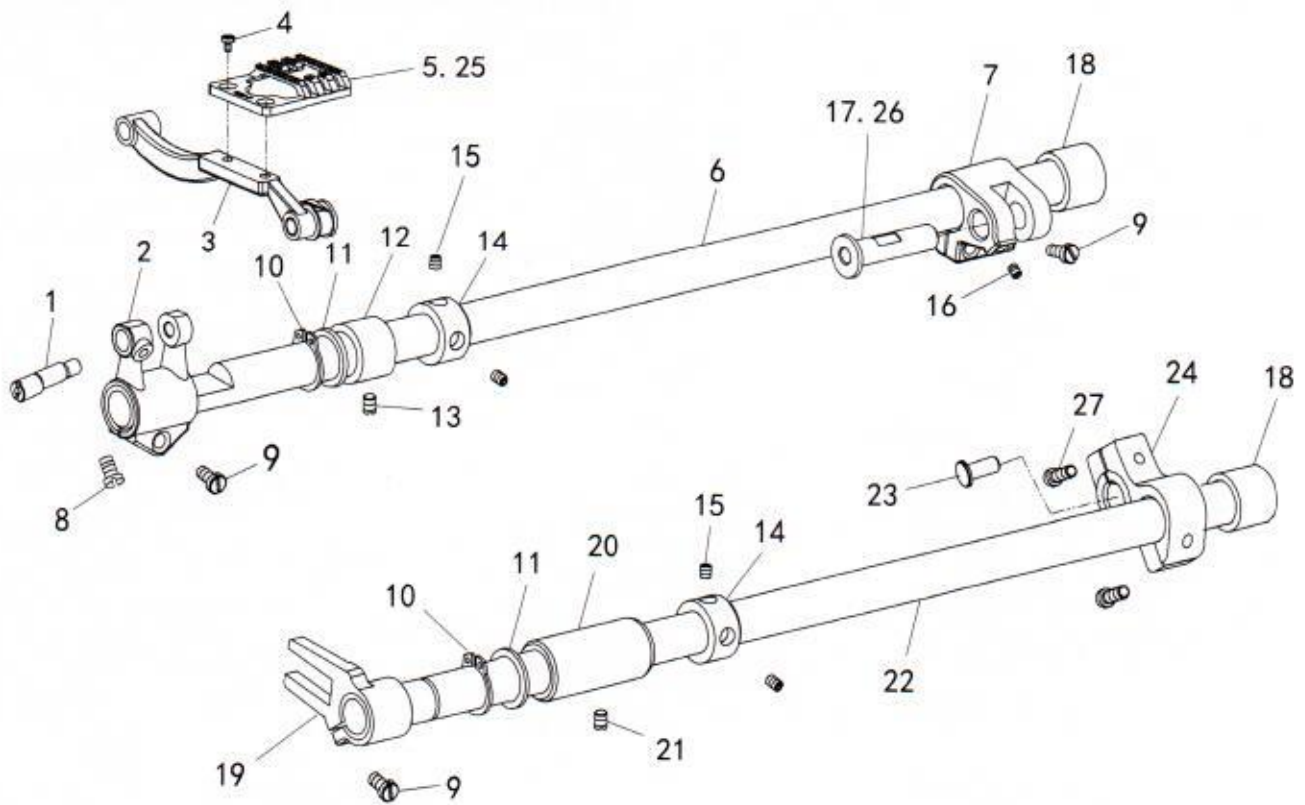
序号 No.	图号 Part No.	名称	DESCRIPTION	数量 QTY	备注 Remark
1	15124-001	螺丝9/64-40 L=6	Screw 9/64-40 L=6	1	
2	15124-002	696轴承	Bushing	1	
3	15124-003	梭轴挡圈	HOOK Shaft thrust collar	1	
4	15124-004	梭轴	Hook shaft	1	
5	15124-005	梭轴座	Hook shaft seat	1	
6	15124-006	螺丝M4-0.7 L=10	M4-0.7 L=10	2	
7	15124-007	滚针轴承	Needle roller bearing	1	
8	15124-008	垫片W8	Washer	1	
9	15124-009	螺丝 1/4-40 L=6	Screw 1/4-40 L=6	2	
10	15124-010	下轴齿轮	Gear of hook driving shaft	1	
11	15124-011	下轴左套D=17	Front bushing	1	
12	15124-012	下轴	Gear of hook driving shaft	1	
13	15124-013	螺丝15/64-28 L=5	Screw 15/64-28 L=5	2	
14	15124-014	下轴挡圈	Lower shaft collar	1	
15	15124-015	下轴右套D=17.5	Rear bushing	1	
16	15124-016	下轴右套油管	Oil tube	1	
17	15124-017	柱塞	Plunger	1	
18	15124-018	柱塞弹簧	Spring	1	
19	15124-019	挡板	Plate	1	
20	15124-020	螺丝15/64-28 L=13	Screw 15/64-28 L=13	1	
21	15124-021	旋梭定位勾	Positioning finger	1	
22	15124-022	螺丝11/64-40 L=9	Screw 11/64-40 L=9	1	
23	15124-023	梭壳	Bobbin case ASM.	1	
24	15124-024	梭芯	Bobbin	1	
25	15124-025	旋梭	Hook ASM.	1	
26	15124-026	梭轴齿轮	Hook shaft gear	1	
27	15124-027	黄油盒	Butter box	1	
28	15124-028	螺丝15/64-28 L=10	Screw 15/64-28 L=10	1	
29	15124-029	螺丝1/4-40 L=5	Screw 1/4-40 L=5	2	02#
30	15124-030	剪线凸轮	Trimmer driving cam	1	02#
31	15124-031	螺丝11/64-40 L=7	Screw 11/64-40 L=7	2	
32	15124-032	螺丝11/64-40 L=8	Screw 11/64-40 L=8	2	02#
33	15124-033	剪线凸轮挡圈	Collar	1	02#
34	15124-034	旋梭定位勾	Positioning finger	1	02#

1...#02 FOR 1512AUT, 1522AUT, 1513AUT, 1523AUT /

5. 缝目调节机构/Stitch width regulator mechanism



6. 下送布机构/Feed mechanism



5. 缝目调节机构/Stitch width regulator mechanism

序号 No.	图号 Part No.	名称	DESCRIPTION	数量 QTY	备注 Remark
1	15125-001	牙叉铰链轴	Pin	1	
2	15125-002	针距连杆铰链轴	Pin	1	
3	15125-003	螺丝15/64-28 L=8	Screw 15/64-28 L=8	3	
4	15125-004	针距连杆	Feed connecting link	1	
5	15125-005	针距调节摆杆	Feed regulator(forked)	1	
6	15125-006	螺丝15/64-28 L=13	Screw 15/64-28 L=13	1	
7	15125-007	针距调节摆杆轴套	Eccentric bushing	1	
8	15125-008	针距调节摆杆轴	Pin	1	
9	15125-009	针距调节螺杆	Feed regulating stud	1	
10	15125-010	止动销弹簧	Feed spring	1	
11	15125-011	止动销	Feed regulating stud lock	1	
12	15125-012	O型圈	Rubber ring	1	
13	15125-013	针距标盘	Length control plate	1	
14	15125-014	针距标盘垫片	Washer	1	
15	15125-015	螺丝3/16-28 L=15	Screw 3/16-28 L=15	1	
16	15125-016	螺丝3/16-28 L=7	Screw 3/16-28 L=7	1	
17	15125-017	倒缝扳手	Reverse feed control lever	1	
18	15125-018	倒缝操纵曲柄	Reverse feed crank	1	
19	15125-019	螺丝15/64-28	Screw 15/64-28	1	
20	15125-020	复位簧	Reset spring	1	
21	15125-021	橡皮塞	Rubber plug 019.8x4	1	
22	15125-022	针距按钮簧	Spring	1	
23	15125-023	针距按钮	Washer	1	
24	15125-024	倒缝操纵杆轴	Reverse feed control shaft	1	
25	15125-025	O型圈	Rubber ring	1	
26	15125-026	销	Pin	1	
27	15125-027	弹簧挂销	Spring Pin	1	02#
28	15125-028	扳手复位簧	Rubber ring	1	02#
29	15125-029	倒缝扳手	Reverse feed control lever	1	02#
30	15125-030	倒缝操纵杆轴	Reverse feed control shaft	1	02#
31	15125-031	倒缝扳手压板	Plate	1	02#

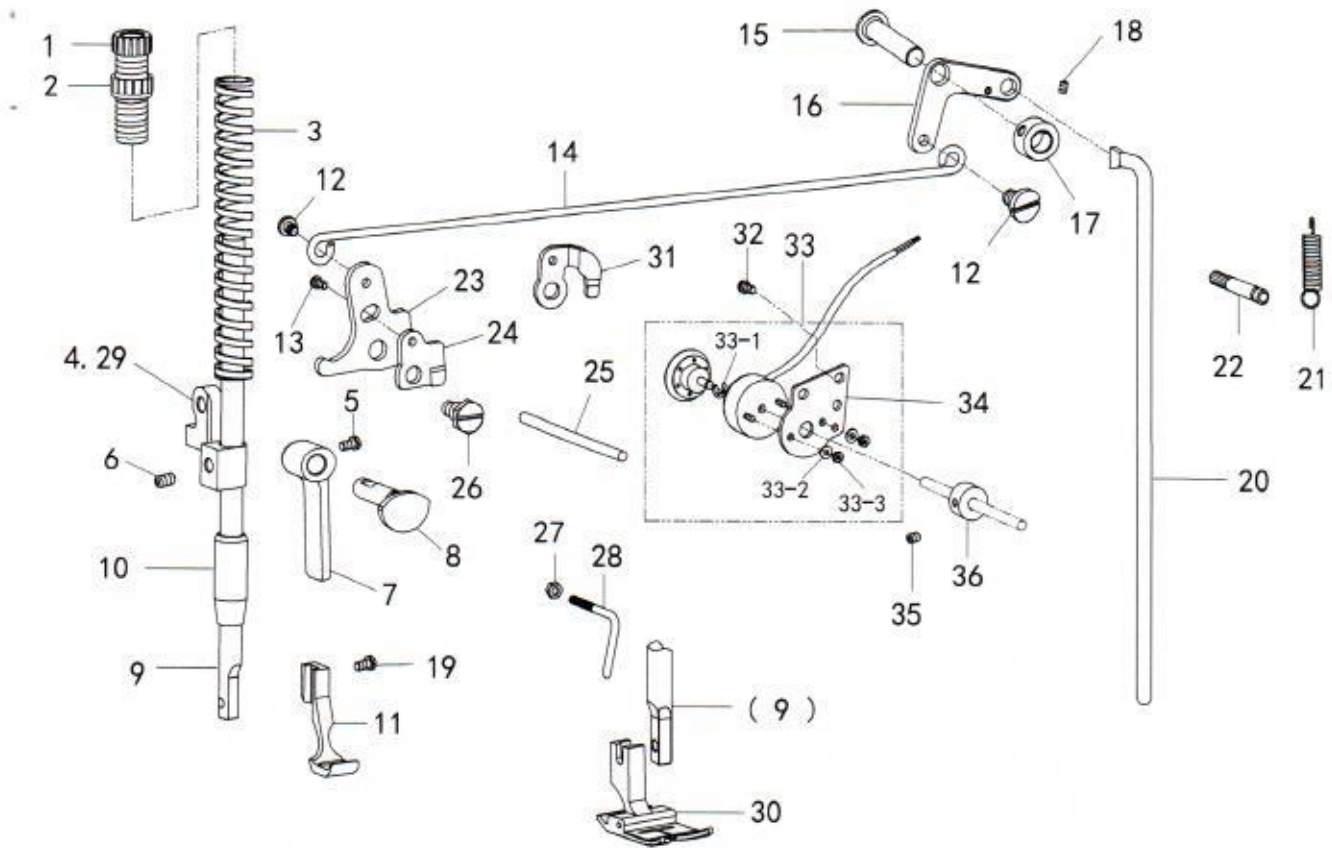
1...#02 FOR 1512AUT , 1522AUT /

6. 下送布机构/Feed mechanism

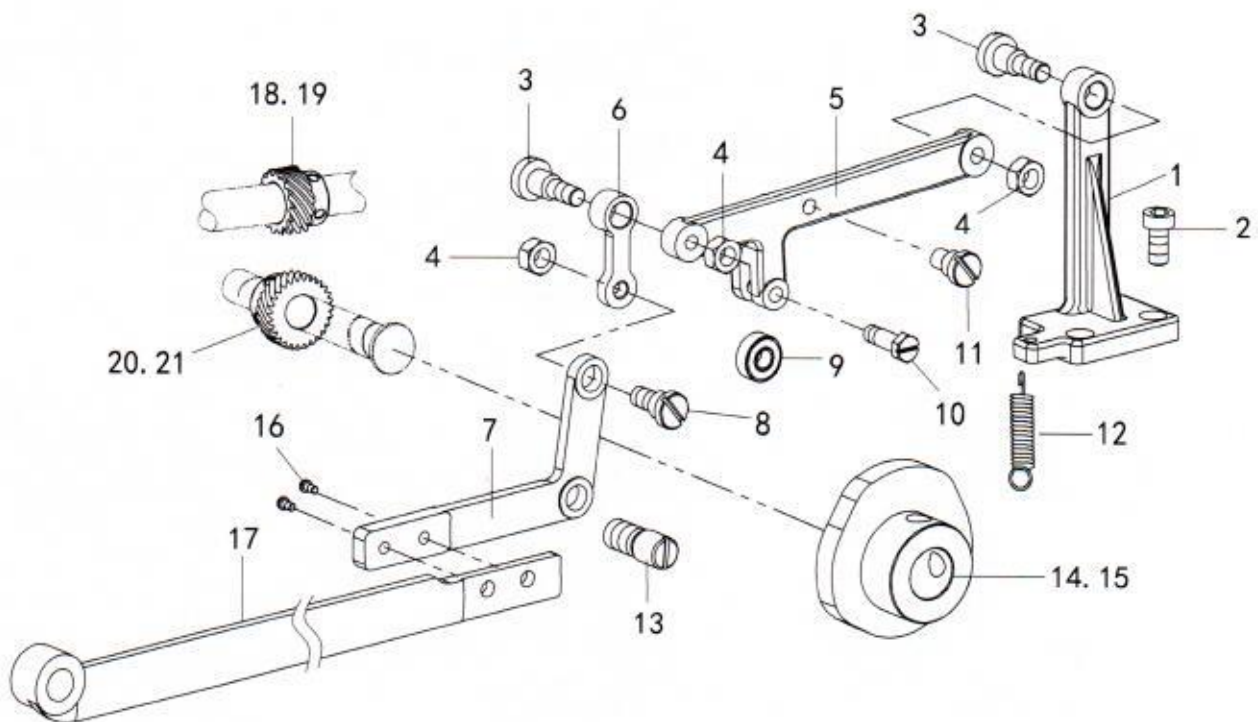
序号 No.	图号 Part No.	名称	DESCRIPTION	数量 QTY	备注 Remark
1	15126-001	牙架销	Shaft	1	
2	15126-002	牙架座	Feed rock arm	1	
3	15126-003	牙架部件	Feed bar asm	1	
4	15126-004	送料牙螺丝1/8-44 L=6	Screw 1/8-44 L=6	2	
5	15126-005	送料牙	Feed dog	1	
6	15126-006	送料轴	Feed shaft	1	
7	15126-007	送料曲柄	Feed rocker arm	1	
8	15126-008	牙架销螺丝	Screw 11/64-40 L=6	1	
9	15126-009	牙架座螺丝	Screw 3/16-28 L=14	4	
10	15126-010	挡圈	Collar	2	
11	15126-011	垫片	Collar	2	
12	15126-012	送料轴前轴套	Bush, L	1	
13	15126-013	螺丝	Screw	1	
14	15126-014	抬牙送料轴挡圈	Collar	2	
15	15126-015	螺丝	Screw	4	
16	15126-016	送料曲柄销螺丝	Screw	1	
17	15126-017	送料曲柄销	Walking foot pinb	1	
18	15126-018	送料轴后轴套	Bush, R	2	
19	15126-019	抬牙叉	lifting fork	1	
20	15126-020	抬牙轴前套	Bush, L	1	
21	15126-021	螺丝	Screw	1	
22	15126-022	抬牙轴	Feed driving shaft	1	
23	15126-023	抬牙曲柄销	Pin	1	
24	15126-024	抬牙曲柄	Lifting rocker	1	
25	15126-025	送料牙	Feed dog	1	02#
26	15126-026	送料曲柄销	Walking foot pinb	1	05#
27	15126-027	螺丝	Screw	2	

1...#02 FOR 1512AUT , 1522AUT / 2...#05 FOR 1522 , 1522DD , 1522AUT /

7. 抬压脚机构/Presser foot mechanism



8. 多点摆针机构/3&4 points mechanism



7. 抬压脚机构/Presser foot mechanism

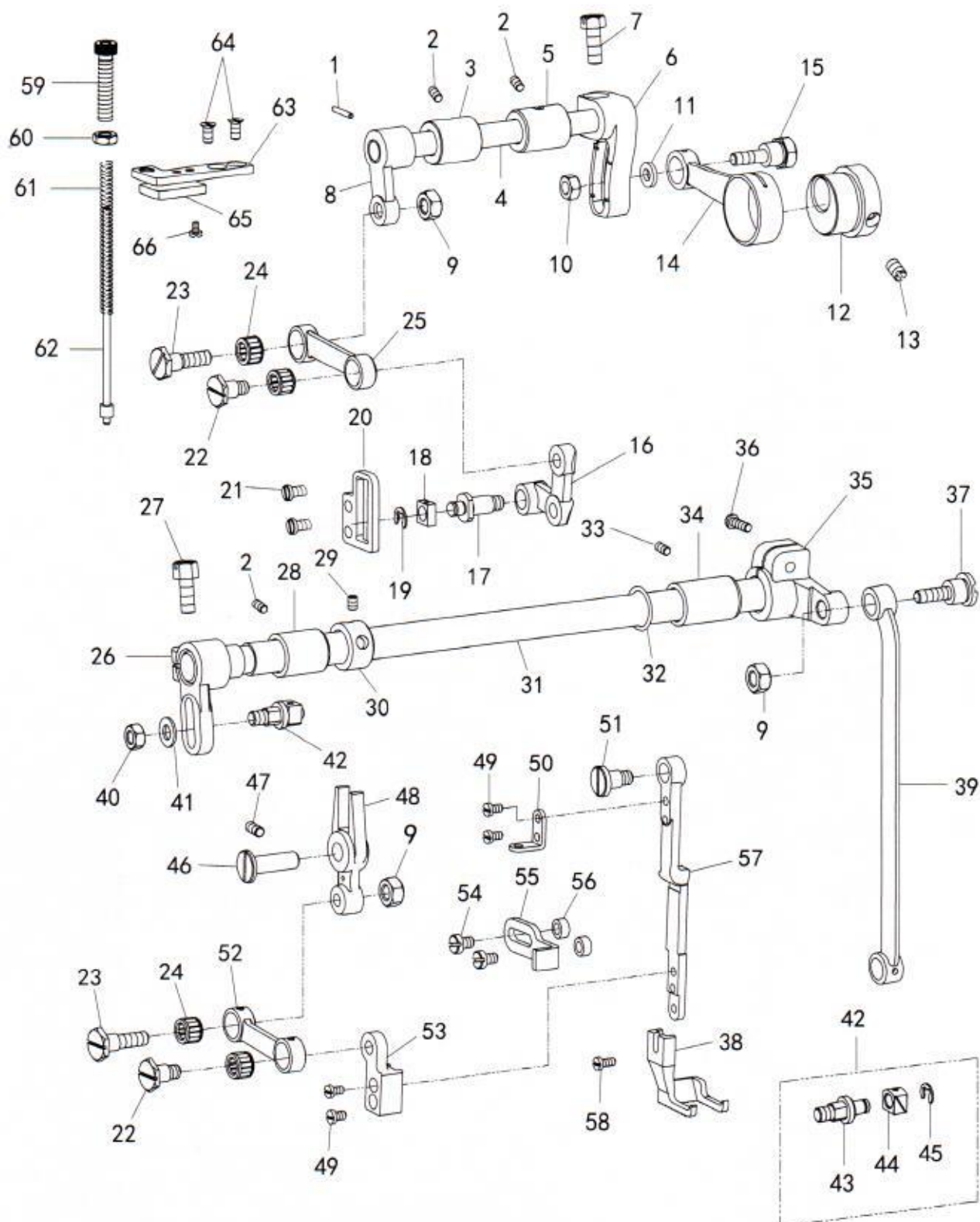
序号 No.	图号 Part No.	名称	DESCRIPTION	数量 QTY	备注 Remark
1	15127-001	调压螺丝	Adjusting screw	1	
2	15127-002	调压螺母	Nut	1	
3	15127-003	压簧	Spring, compression	1	
4	15127-004	压杆导架	Guide bracket	1	
5	15127-005	螺丝 1/4-40 L=8	Screw 1/4-40 L=8	1	
6	15127-006	螺丝 15/64-28 L=8	Screw 15/64-28 L=8	1	
7	15127-007	抬压扳子	Presser bar lifter	1	
8	15127-008	压脚扳手凸轮部件	Lifter crank	1	
9	15127-009	压杆	Presser bar	1	
10	15127-010	压杆下套	Bush	1	
11	15127-011	内压脚	Presser foot , inside	1	
12	15127-012	螺丝 3/16-28 L=8.5	Screw 3/16-28 L=8.5	2	
13	15127-013	螺丝 11/64-40 L=6.5	Screw 11/64-40 L=6.5	1	
14	15127-014	抬压脚拉杆	Collecting rod	1	
15	15127-015	后杠杆轴	Pin	1	
16	15127-016	抬压脚后杠杆	Lever	1	
17	15127-017	挡圈	Collar	1	
18	15127-018	螺丝 11/64-40 L=4	Screw 11/64-40 L=4	2	
19	15127-019	螺丝 9/64-40 L=7	Screw 9/64-40 L=7	2	
20	15127-020	抬压脚顶杆	Knee lifter bar	1	
21	15127-021	复位拉簧	Spring	1	
22	15127-022	拉簧销	Spring pin	1	
23	15127-023	膝控提升杠杆(左)	Lifter lever	1	
24	15127-024	松线凸轮	Guide plate	1	
25	15127-025	夹线松线杆	Tension release stud	1	
26	15127-026	段螺丝 15/64-28 L=7.5	Screw SM15/64-28 L=7.5	1	
27	15127-027	螺母 9/64-40 L=3	Nut 9/64-40 L=3	1	
28	15127-028	沙拉过线	Arm thread guide C	1	
29	15127-029	压杆导架	Guide bracket	1	05#
30	15127-030	活压脚部件	Presser foot asm.	1	
31	15127-031	压杆	Presser bar	1	02#
32	15127-032	螺丝3/16-28 L=8	Screw 3/16-28 L=8	2	02#
33	15127-033	松线电磁铁组件	Loose wire electromagnet asm.	1	02#
33-1	15127-0331	卡簧 E4	E4	1	02#
33-2	15127-0332	垫片	Gaskets	2	02#
33-3	15127-0333	螺母M3	Nut 3	2	02#
34	15127-034	松线电磁铁安装板	Mounting Plate	1	02#
35	15127-035	螺丝M4 L=5	M4 L=5	2	02#
36	15127-036	松线挡圈	Collar	1	02#

1...#02 FOR 1512AUT, 1522AUT / 2...#05 FOR 1522, 1522DD, 1522AUT /

8. 多点摆针机构/3&4 points mechanism

序号 No.	图号 Part No.	名称	DESCRIPTION	数量 QTY	备注 Remark
1	15138-001	靠轮杆座	Rod seat.	1	
2	15138-002	螺丝 M6 L=12	Screw M6 L=12	2	
3	15138-003	段螺丝 3/16-32	Screw SM3/16-32	2	
4	15138-004	螺母 3/16-32	Nut SM3/16-32	2	
5	15138-005	靠轮杆	Bend the wheel.	1	
6	15138-006	活动连接杆	Connecting rod	1	
7	15138-007	摆针连杆	Feed dog fork	1	
8	15138-008	段螺丝 3/16-32	Screw SM3/16-32	1	
9	15138-009	滚珠轴承	Ball bearing	1	
10	15138-010	段螺丝 M4-0.75 L=6	Screw M4-0.75 L=6	1	
11	15138-011	段螺丝 3/16-28	Screw SM3/16-28	1	
12	15138-012	拉簧	Spring	1	
13	15138-013	滑块销	Screw 9/32-28	1	
14	15138-014	3点式摆针传动偏心轮	3 needle eccentric wheel	1	
15	15148-015	4点式摆针传动偏心轮	4 needle eccentric wheel	1	
16	15138-016	螺丝 M4 L=10	Screw M4 L=10	2	
17	15138-017	摆针传动连杆	Feed dog fork	1	
18	15138-018	3点摆针传动齿轮(上)	3 Bevel gear(upper)	1	
19	15148-019	4点摆针传动齿轮(上)	4 Bevel gear(upper)	1	
20	15138-020	3点摆针传动齿轮(下)	3 Bevel gear(down)	1	
21	15148-021	4点摆针传动齿轮(下)	4 Bevel gear(down)	1	

9. 上送料机构/Feed mechanism For (1522、1522DD、1522AUT)



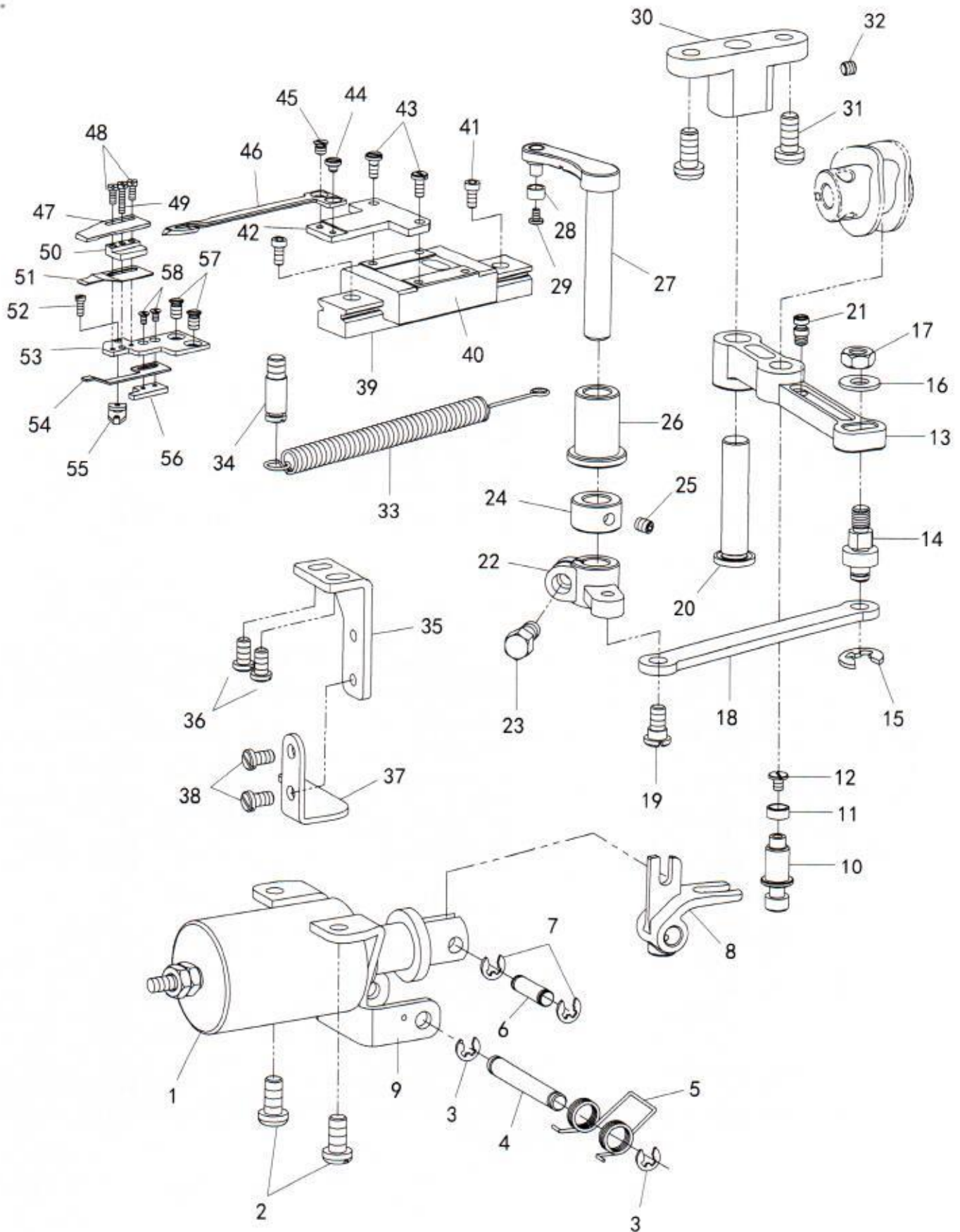
9. 上送料机构/Upper feed mechanism(FOR 1522、1522DD、1522AUT)

序号 No.	图号 Part No.	名称	DESCRIPTION	数量 QTY	备注 Remark
1	15229-001	圆锥销	Pin	1	# 05
2	15229-002	螺丝 15/64-28 L=6	Screw 15/64-28 L=6	3	# 05
3	15229-003	摆动提升轴套A	Bush, A	1	# 05
4	15229-004	压脚升降轴	Feed lifting shaft	1	# 05
5	15229-005	摆动提升轴套B	Bush, B	1	# 05
6	15229-006	偏心轮连接调节曲柄	Feed arm	1	# 05
7	15229-007	螺丝 1/4-24 L=16	Screw 1/4-24 L=16	1	# 05
8	15229-008	压脚升降前曲柄	Feed lifting arm crank, L	1	# 05
9	15229-009	螺母	Nut 1/4-40	3	# 05
10	15229-010	螺母 M6-0.75	Nut M6-0.75	1	# 05
11	15229-011	垫片W5*10*1	W5*10*1 Washer	1	# 05
12	15229-012	偏心轮	Eccentric wheel	1	# 05
13	15229-013	螺钉 1/4-40 L=7	Screw SM1/4-40 L=7	2	# 05
14	15229-014	偏心轮连杆	Connecting rod	1	# 05
15	15229-015	段螺丝	Screw	1	# 05
16	15229-016	压脚送料曲柄	Feed lever	1	# 05
17	15229-017	段螺丝	Screw	1	# 05
18	15229-018	滑块	Slide block	1	# 05
19	15229-019	卡簧 E5	E5	1	# 05
20	15229-020	压杆提升导位板	Lever guide	1	# 05
21	15229-021	螺丝 11/64-40 L=7	Screw 11/64-40 L=7	2	# 05
22	15229-022	段螺丝 1/4-40	Screw SM1/4-40	1	# 05
23	15229-023	段螺丝 1/4-41	Screw SM1/4-40	1	# 05
24	15229-024	滚针轴承	Needle bearing	4	# 05
25	15229-025	外压提升连杆	Link	1	# 05
26	15229-026	外压摆动曲柄左	Crank	1	# 05
27	15229-027	螺丝 1/4-24 L=16	Screw 1/4-24 L=16	1	# 05
28	15229-028	压脚摆动轴左轴套	Bush, L	1	# 05
29	15229-029	螺丝 1/4-40 L=5	Screw 1/4-40 L=5	2	# 05
30	15229-030	挡圈	Collar	1	# 05
31	15229-031	压脚摆动轴	Upper feed shaft	1	# 05
32	15229-032	O型圈	O ring	1	# 05
33	15229-033	螺丝 15/64-28 L=6	Screw 15/64-28 L=6	1	# 05
34	15229-034	压脚摆动轴右轴套	Bush, M	1	# 05
35	15229-035	压脚摆动右曲柄	Feed lifting arm crank, R	1	# 05
36	15229-036	螺丝 15/64-28 L=15	Screw SM15/64-28 L=15	1	# 05
37	15229-037	连杆螺丝	Screw 1/4-40	1	# 05
38	15229-038	摆压脚	Walking foot	1	# 05
39	15229-039	摆压脚大连杆	Connecting rod	1	# 05
40	15229-040	螺母 M6-1	Nut M6-1	1	# 05
41	15229-041	垫片W6.5	W6.5	1	# 05
42	15229-042	摆压脚同步调节器组件	Roller shaft assy.	1	# 05
43	15229-043	提升压脚变动曲柄轴	Pin	1	# 05
44	15229-044	滑块	Slide block	1	# 05
45	15229-045	卡簧 E5	E5 Snap ring	1	# 05
46	15229-046	摆压脚叉形杆销	Pin	1	# 05
47	15229-047	螺丝 M5 L=6	M5 L=6	1	# 05
48	15229-048	摆压脚叉形杆	Crank	1	# 05
49	15229-049	螺丝 9/64-40 L=7	Screw 9/64-40 L=7	4	# 05
50	15229-050	摆压脚导柱板	Plart	1	# 05
51	15229-051	段螺丝 1/4-40	Screw 1/4-40	1	# 05
52	15229-052	摆压脚连杆	Link	1	# 05
53	15229-053	摆压脚杆座	Clamper	1	# 05
54	15229-054	螺丝 11/64-40 L=12	Screw SM11/64-40 L=12	2	# 05
55	15229-055	压脚连杆压板	Block	1	# 05
56	15229-056	摆压脚杆压板垫片	Collar	2	# 05
57	15229-057	摆压脚杆	Connecting rod	1	# 05
58	15229-058	摆压脚叉形杆	Lever	1	# 05
59	15229-059	摆压脚调压螺丝	Screw	1	# 05
60	15229-060	摆压脚调压螺母	Nut	1	# 05
61	15229-061	摆压脚调压杆弹簧	Spring compression	1	# 05
62	15229-062	调压杆弹簧导柱	Guide shaft	1	# 05
63	15229-063	摆压脚调压螺钉架	Bracket	1	# 05
64	15229-064	螺丝11/64-40 L=7	Screw 11/64-40 L=7	2	# 05
65	15229-065	羊毛毡	Wool felt	1	# 05
66	15229-066	螺丝9/64-40 L=5	Screw 9/64-40 L=5	1	# 05

1...#05 FOR 1522 , 1522DD , 1522AUT /

10. 剪线机构/Thread trimming mechar

For (1512AUT/1513AUT/1522AUT/1523AUT)

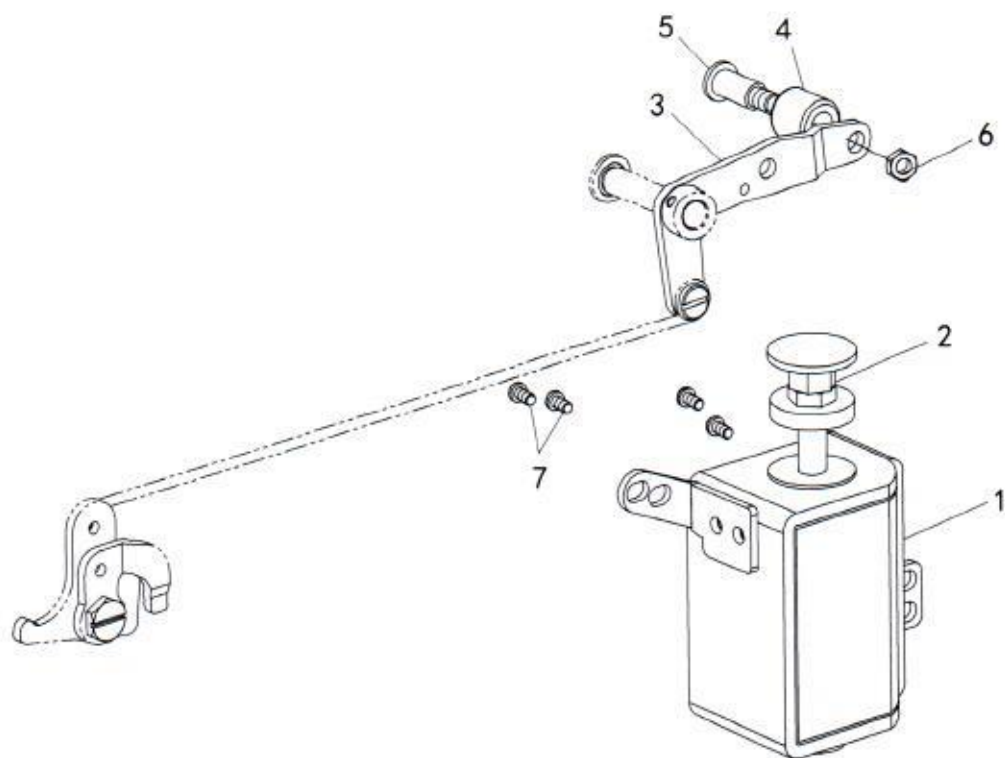


10. 剪线机构/Thread trimmer components(FOR 1512AUT、1522AUT SERIS)

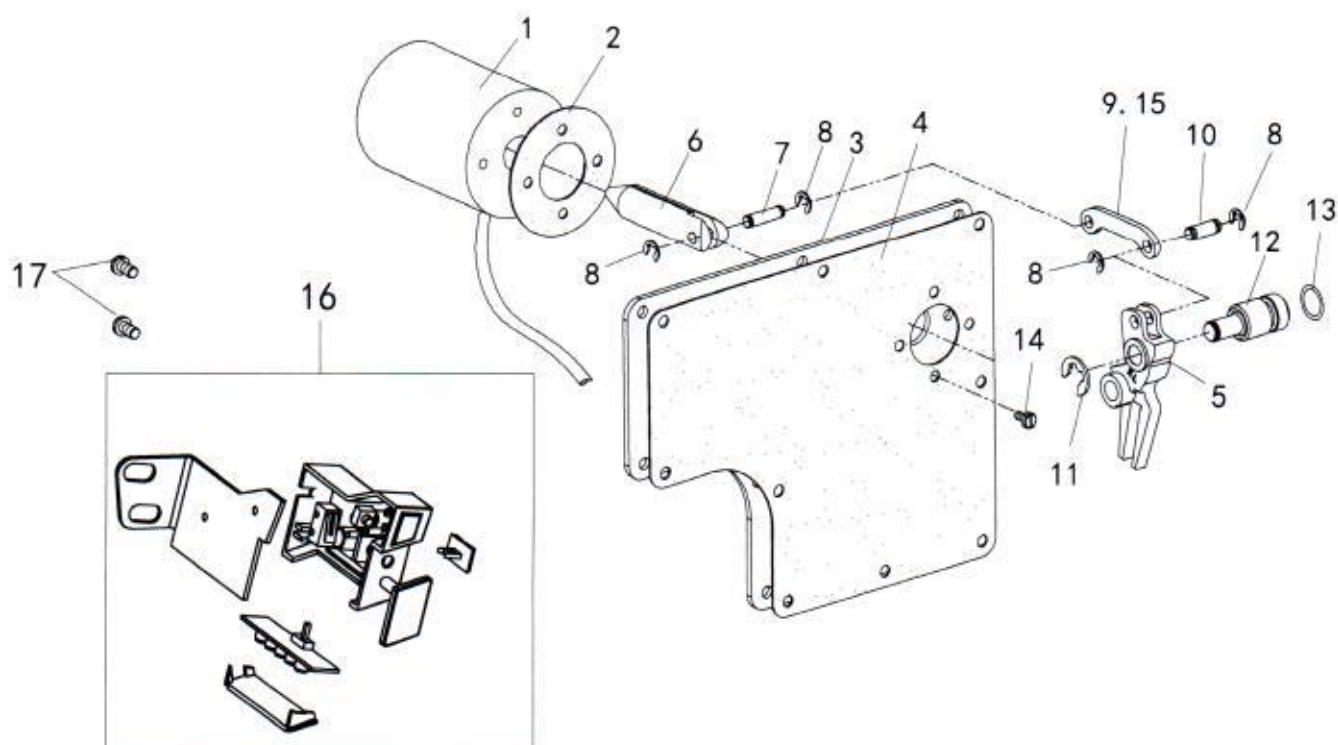
序号 No.	图号 Part No.	名称	DESCRIPTION	数量 QTY	备注 Remark
1	1512A-001A	剪线电磁铁	Thread trimmer solenoid	1	# 02
2	1512A-002A	螺丝 15/64-28 L=12	Screw 15/64-28 L=12	2	# 02
3	1512A-003A	卡簧 E4	E4	2	# 02
4	1512A-004A	长销	Long pin	1	# 02
5	1512A-005A	扭簧	Torsion spring	1	# 02
6	1512A-006A	短销	Short pin	1	# 02
7	1512A-007A	卡簧 E4	E4	2	# 02
8	1512A-008A	剪线曲柄	Thread shear rock crank	1	# 02
9	1512A-009A	剪线电磁铁支架	Thread trimmer solenoid base	1	# 02
10	1512A-010A	剪线滚柱	Connecting stud	1	# 02
11	1512A-011A	滚珠	Roller	1	# 02
12	1512A-012A	螺丝 1/8-44 L=4.5	Screw 1/8-44 L=4.5	1	# 02
13	1512A-013A	刀架传动臂	Knife driving arm	1	# 02
14	1512A-014A	活动刀杆销	Moving knife link pin	1	# 02
15	1512A-015A	卡簧 E6	E6	1	# 02
16	1512A-016A	垫片	Washer	1	# 02
17	1512A-017A	螺母 15/64-28	Nut 15/64-28	1	# 02
18	1512A-018A	剪线拉杆	Moving knife link	1	# 02
19	1512A-019A	台阶螺丝	Hinge screw D= H=	1	# 02
20	1512A-020A	刀架传动臂销	Roller fulckrum shaft	1	# 02
21	1512A-021A	弹簧挂销	Spring Pin	1	# 02
22	1512A-022A	拉杆曲柄	Arm	1	# 02
23	1512A-023A	螺丝 15/64-28 L=12.5	Bolt 15/64-28 L=12.5	1	# 02
24	1512A-024A	挡圈	Thrust collar	1	# 02
25	1512A-025A	螺丝 M4 L=7	M4 L=7	1	# 02
26	1512A-026A	摆杆套	Pendulum shaft sleeve	1	# 02
27	1512A-027A	剪线摆杆	Pendulum bar	1	# 02
28	1512A-028A	滚珠	Roller	1	# 02
29	1512A-029A	螺丝 3/32-56 L=3.8	Screw 3/32-56 L=3.8	1	# 02
30	1512A-030A	刀架传动臂座	Seat	1	# 02
31	1512A-031A	螺丝 15/64-28 L=12	Screw 15/64-28 L=12	2	# 02
32	1512A-032A	螺丝 M6 L=6	M6 L=6	1	# 02
33	1512A-033A	复位簧	Reset spring	1	# 02
34	1512A-034A	弹簧挂销左	Pin	1	# 02
35	1512A-035A	限位板	Stop Plate	1	# 02
36	1512A-036A	螺丝 11/64-40 L=10	Screw 11/64-40 L=10	2	# 02
37	1512A-037A	保护板	Safety Plate	1	# 02
38	1512A-038A	螺丝 11/64-40 L=8	Screw 11/64-40 L=8	2	# 02
39	1512A-039A	直线导轨	LINEAR guide	1	# 02
40	1512A-040A	滑块	Sliding block	1	# 02
41	1512A-041A	螺丝 M4 L=10	M4 L=10	2	# 02
42	1512A-042A	动刀安装板	Moving knife mounting Plate	1	# 02
43	1512A-043A	螺丝 M3 L=6	M3 L=6	2	# 02
44	1512A-044A	螺丝 9/64-40 L=2.5	Screw 9/64-40 L=2.5	1	# 02
45	1512A-045A	螺丝 9/64-40 L=1.9	Screw 9/64-40 L=1.9	1	# 02
46	1512A-046A	动刀	Moving knife	1	# 02
47	1512A-047A	定刀	Counter knife	1	# 02
48	1512A-048A	螺丝 M2 L=8	M2 L=8	2	# 02
49	1512A-049A	螺丝 M2 L=12	M2 L=12	1	# 02
50	1512A-050A	定刀座	Counter knife seat	1	# 02
51	1512A-051A	夹线板	Clamp plate	1	# 02
52	1512A-052A	螺丝 M2 L=6	M2 L=6	1	# 02
53	1512A-053A	定刀安装板	Counter knife mounting Plate	1	# 02
54	1512A-054A	夹线压板	Clamping plate	1	# 02
55	1512A-055A	夹线调压板	Pressure regulating plate	1	# 02
56	1512A-056A	固定板	Fixing Plate	1	# 02
57	1512A-057A	螺丝 9/64-40 L=4	Screw 9/64-40 L=4	2	# 02
58	1512A-058A	螺丝 M2 L=5	M2 L=5	1	# 02

1---#02 FOR 1512AUT ,1522AUT,1513AUT,1523AUT,1514AUT,1524AUT.

11.自动抬压脚机构/ components For (1512AUT、1513AUT)



12.自动倒送料、开关组件/Automatic reverse feed components For (1512AUT、1522AUT, 1513AUT, 1523AUT)



13. 电控部件/Driver components

序号 No.	图号 Part No.	名称	DESCRIPTION	数量 QTY	备注 Remark
1	1512D-001A	电控组件	Control asm	1	# 02
2	1512D-002	电源开关	Power switch	1	# 02
3	1512D-003	电源线	Power line	1	# 02
4	1512D-004	电控罩	Control cover	1	# 02
5	1512D-005A	操作面板	Face plate	1	# 02
6	1512D-006	螺丝M5 L=35	Screw M5 L=35	3	# 02
7	1512D-007	螺丝M5 L=20	Screw M5 L=20	2	# 02
8	1512D-008	脚踏控速器	Thread asm	1	# 02
9	1512D-009	螺钉	Screw	3	# 02
10	1512D-010	上轴油封	Oil seal	1	# 02
11	1512D-011	轴承	Ball bearing	1	# 02
12	1512D-012	连轴器A	Clutch component (A)	1	# 02
13	1512D-013	螺丝M6 L=6	Screw M6 L=6	3	# 02
14	1512D-014	连轴器橡胶垫	Alnico tray	1	# 02
15	1512D-015	连轴器B	Clutch component (B)	1	# 02
16	1512D-016	螺丝M6 L=6	Screw M6 L=6	3	# 02
17	1512D-017	AC伺服马达550W	AC servo motor 550W	1	# 06
18	1512D-018	垫片	Washer	4	# 02
19	1512D-019	弹性垫片	Spring washer	4	# 02
20	1512D-020	螺丝M5 L=20	Screw M5 L=20	4	# 02
21	1512D-021	手轮	Hand wheel	1	# 02
22	1512D-022	螺丝 15/64-28 L=10	Screw 15/64-28 L=10	2	# 02
23	1512D-023	拉杆组件	Live festival balllink asm	1	# 02
24	1512D-024D	电控组件	Control asm	1	# 04
25	1512D-025D	操作面板	Face plate	1	# 04
26	1512D-026D	AC伺服马达750W	AC servo motor 750W	1	# 07
27	1512D-027D	手轮	Hand wheel	1	# 07

1...#02 FOR1512AUT, 1522AUT, 1513AUT, 1523AUT / 2...#04 FOR1512DD, 1522DD 1513DD, 1523DD/

3...#06 FOR 1512DD, 1512AUT /4...#07 FOR 1522DD, 1522AUT 1523DD, 1523AUT/